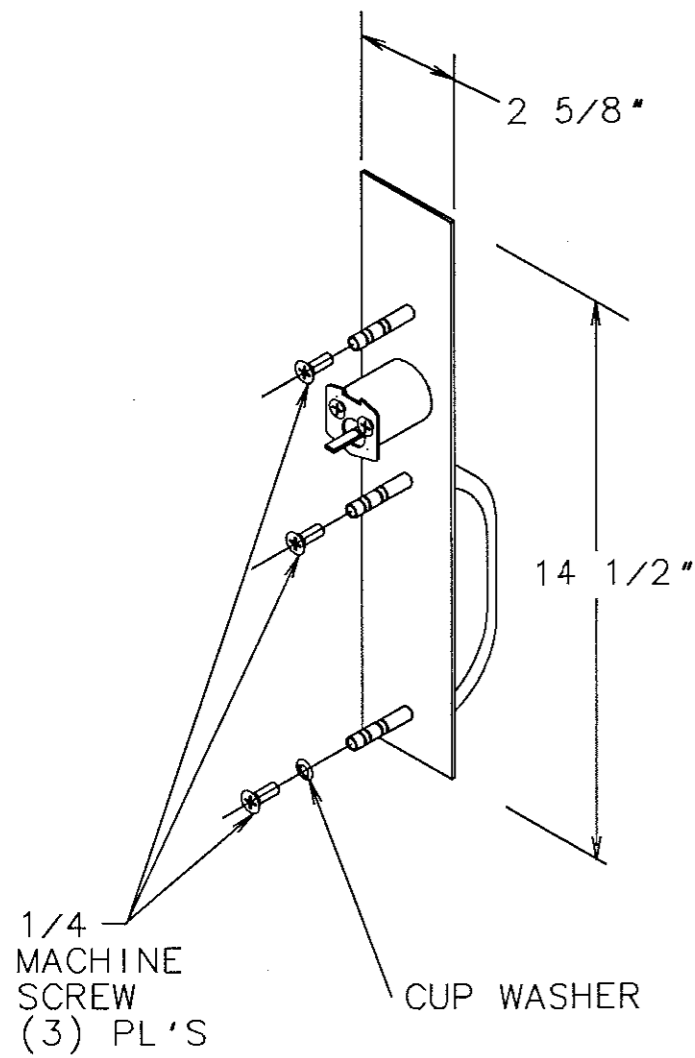
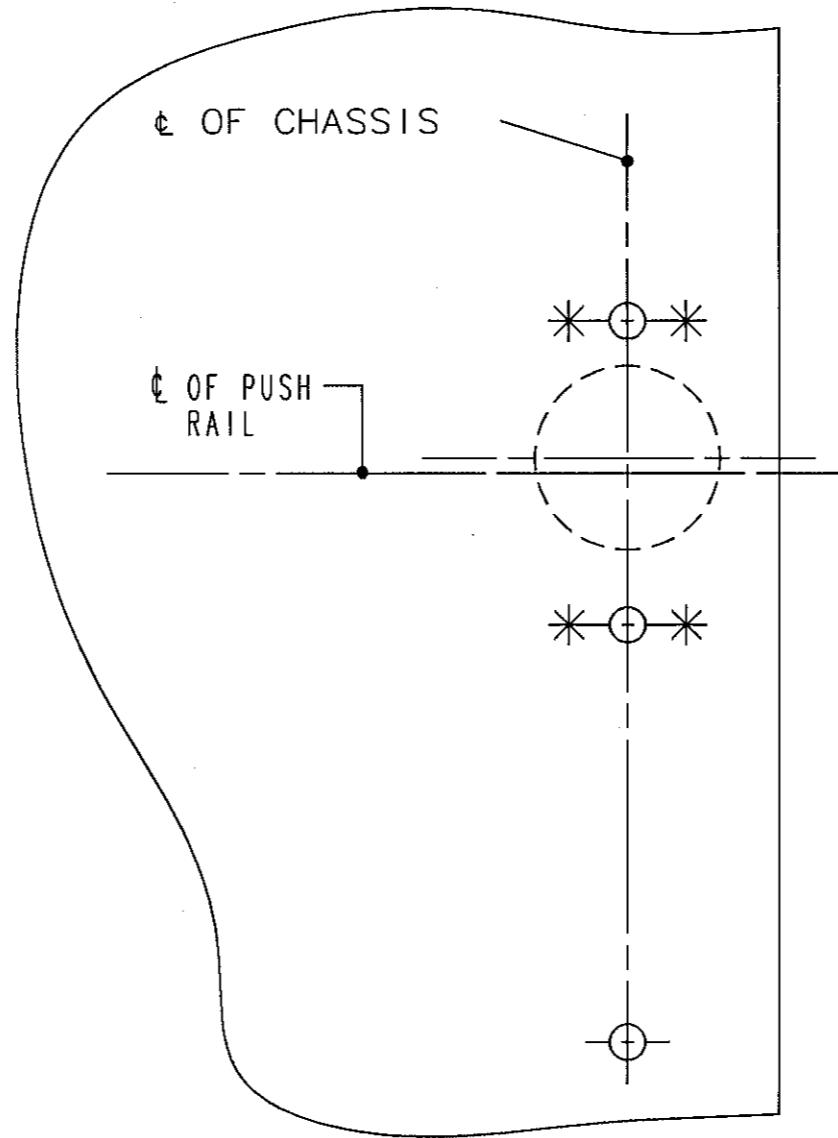


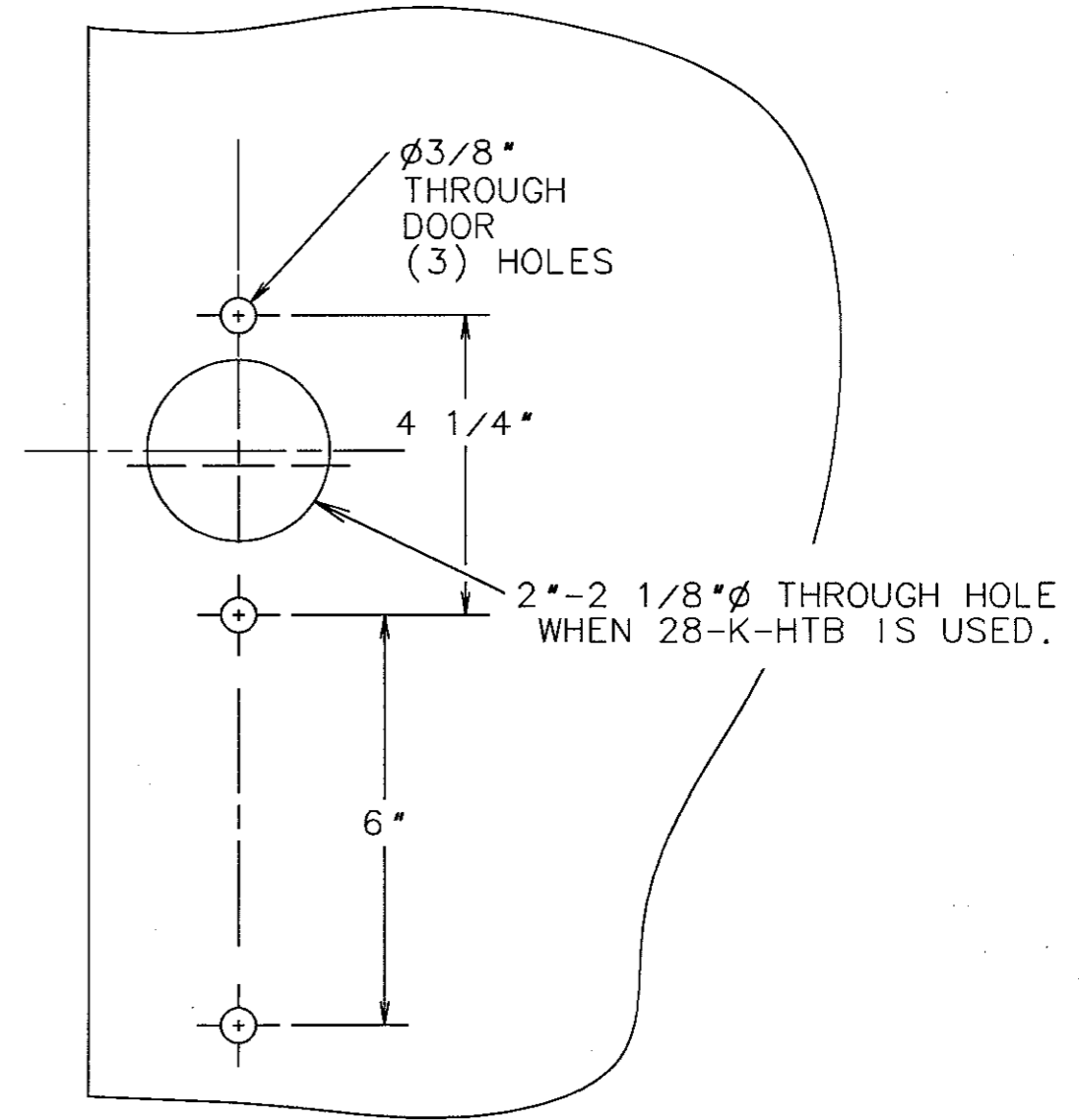
IMPORTANT:
 FOR ADDITIONAL CUTOUTS
 IN INSIDE OF DOOR, REFER
 TO EXIT DEVICE TEMPLATE



28-K-TP



INSIDE FACE OF DOOR



OUTSIDE FACE OF DOOR

① REFER TO EXIT DEVICE TEMPLATE FOR LOCATION OF VERTICAL & HORIZONTAL CENTERLINES

SARGENT & COMPANY		NEW HAVEN, CONN. 06511	
TEMPLATE: 28-K-TP THUMBPIECE TRIM FOR 20 & 30 SERIES TYPE EXIT DEVICES		RELEASE DATE	4 APR 00
		TEMPLT NO.	4521 A