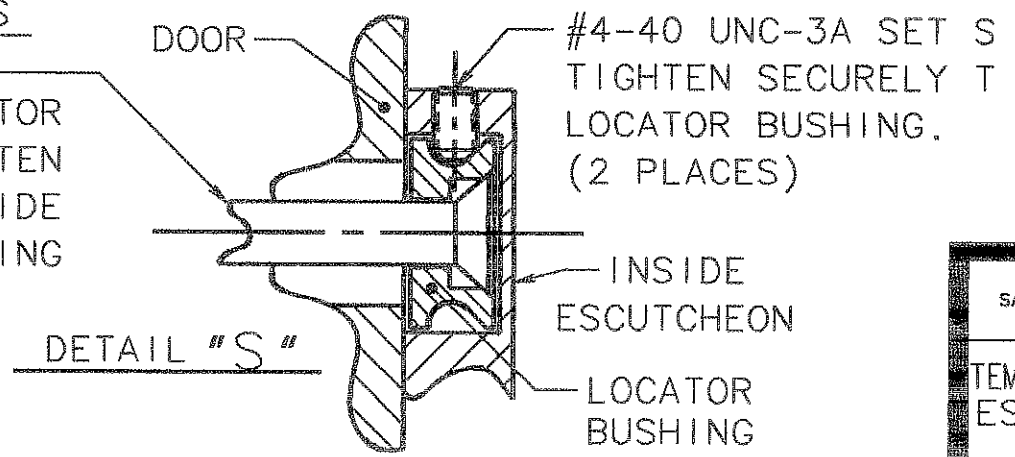


OUTSIDE OF DOOR

INSIDE OF DOOR

- ③ FOR 9200, USED IN CONJUNCTION WITH TEMPLATE #4482 (LOCKBODY).
- * IMPORTANT: FOR TRIM ONE SIDE FUNCTIONS, INSIDE ESCUTCHEONS IS SURFACE APPLIED WITH (2) #8-32 COMB. SCREWS. (DO NOT APPLY TO 9200).
- ② FOR 7800/8200, USED IN CONJUNCTION WITH TEMPLATE #7057 (LOCKBODY).

CONCEALED SCREWS
TRIM SCREW. INSERT INTO LOCATOR BUSHING AND TIGHTEN SECURELY TO OUTSIDE ESCUTCHEON MOUNTING POST.



SARGENT & COMPANY		NEW HAVEN, CONN. D6511	
TEMPLATE: 7800, 8200 & 9200 MORTISE LOCK ESCUTCHEONS LE2, LE4, KE2, KE4 (CONCEALED SCREWS)		RELEASE DATE	27 OCT 99
		TEMPLER NO.	7053 D