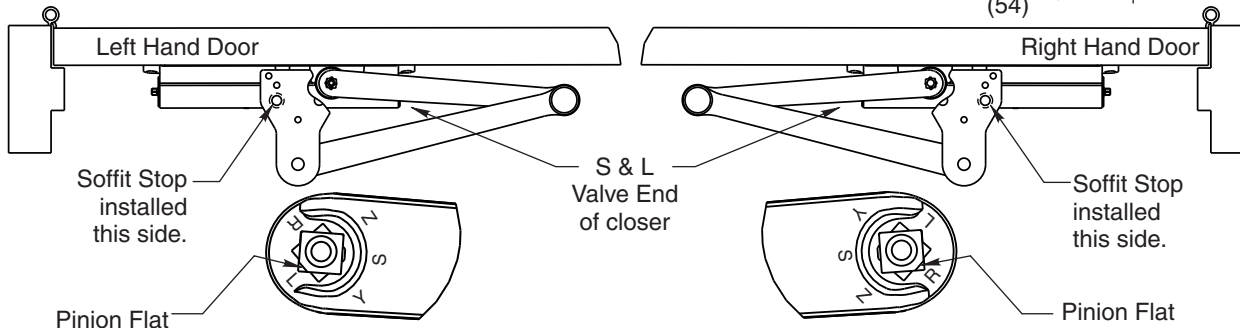
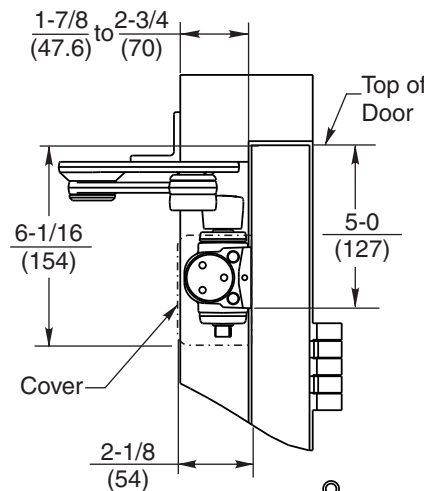
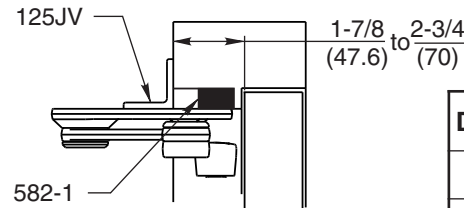
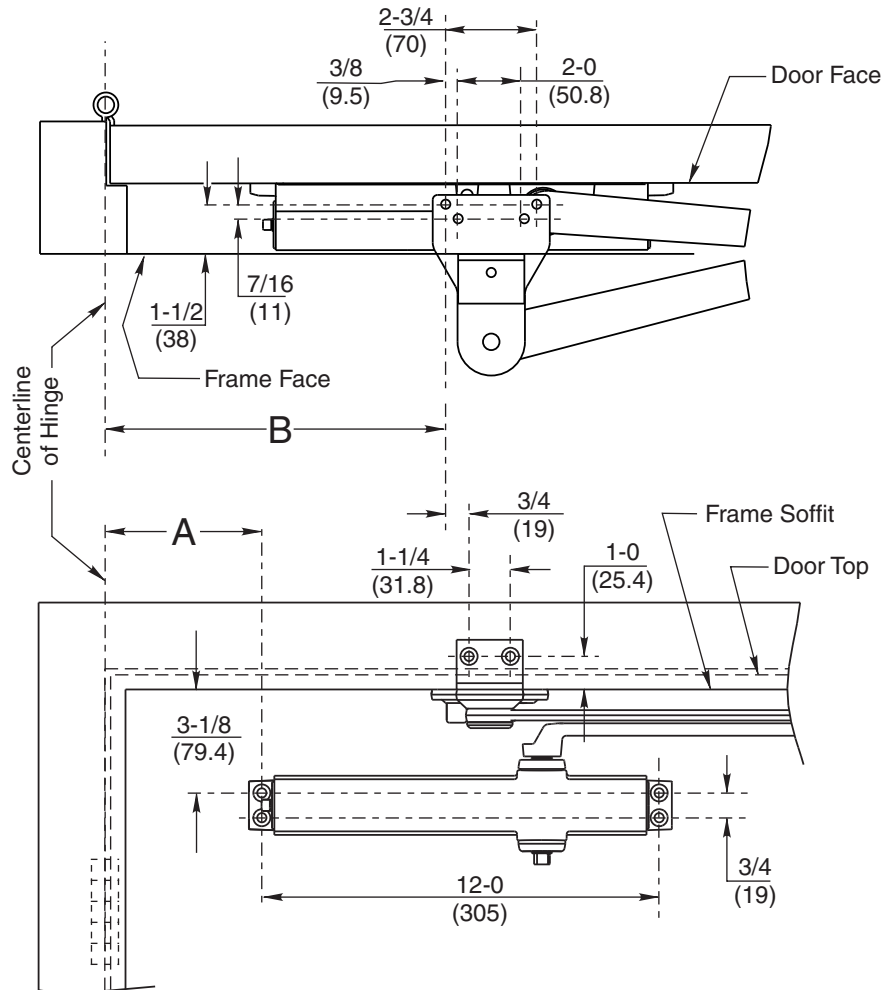


# SARGENT®

# ASSA ABLOY

Fastener Type	Matl.	Drill Sizes
Self Drill Screw	Metal	No drill required
	Wood	3/16" Pre-drill
1/4 - 20 Mach Screw	Metal	#7 Drill; 1/4-20 Tap
Sleeve Nuts & Bolts	Metal	9/32" Thru 3/8" Face opposite closer
	Wood	3/8" Thru



Door Opening	Dim A	Dim B
85°	5-1/2 (139.7)	11-0 (279.4)
90°	4-3/4 (120.7)	10-1/4 (260.4)
95°	4-0 (101.6)	9-1/2 (241.3)
100°	3-3/8 (85.7)	8-7/8 (225.4)
105°	2-3/4 (70)	8-1/4 (209.6)
110°	2-1/8 (54)	7-5/8 (193.7)

- Do not scale drawing.
- Left hand door shown, right hand opposite.
- Dimensions are in inches / (mm)
- Hollow metal door require channel or box type reinforcement when through bolt mount is specified.
- Sex bolts required for wood or plastic faced fire door mounting.
- Minimum thickness recommended for reinforcements in hollow metal doors and frames: .146" (2.66mm) unless otherwise specified.
- Arm with Hold Open function is NOT permitted on fire door.
- Maximum width hinge for this template is 5" (127).

SARGENT® Manufacturing Company

DATA SHEET:  
1331 DOOR CLOSER WITH JPS,  
JPSH, JCPS, OR JCPSH & 125JV  
REINFORCING BRACKET. PARALLEL  
ARM APPLICATIONS.

RELEASE DATE:  
**8/20/2013**  
TEMPLATE NO.  
**A8167A**

Copyright © 2013, Sargent Manufacturing Company, an ASSA ABLOY Group company. All rights reserved. Reproduction in whole or in part without the express written permission of Sargent Manufacturing Company is prohibited.

ASSA ABLOY, the global leader  
in door opening solutions