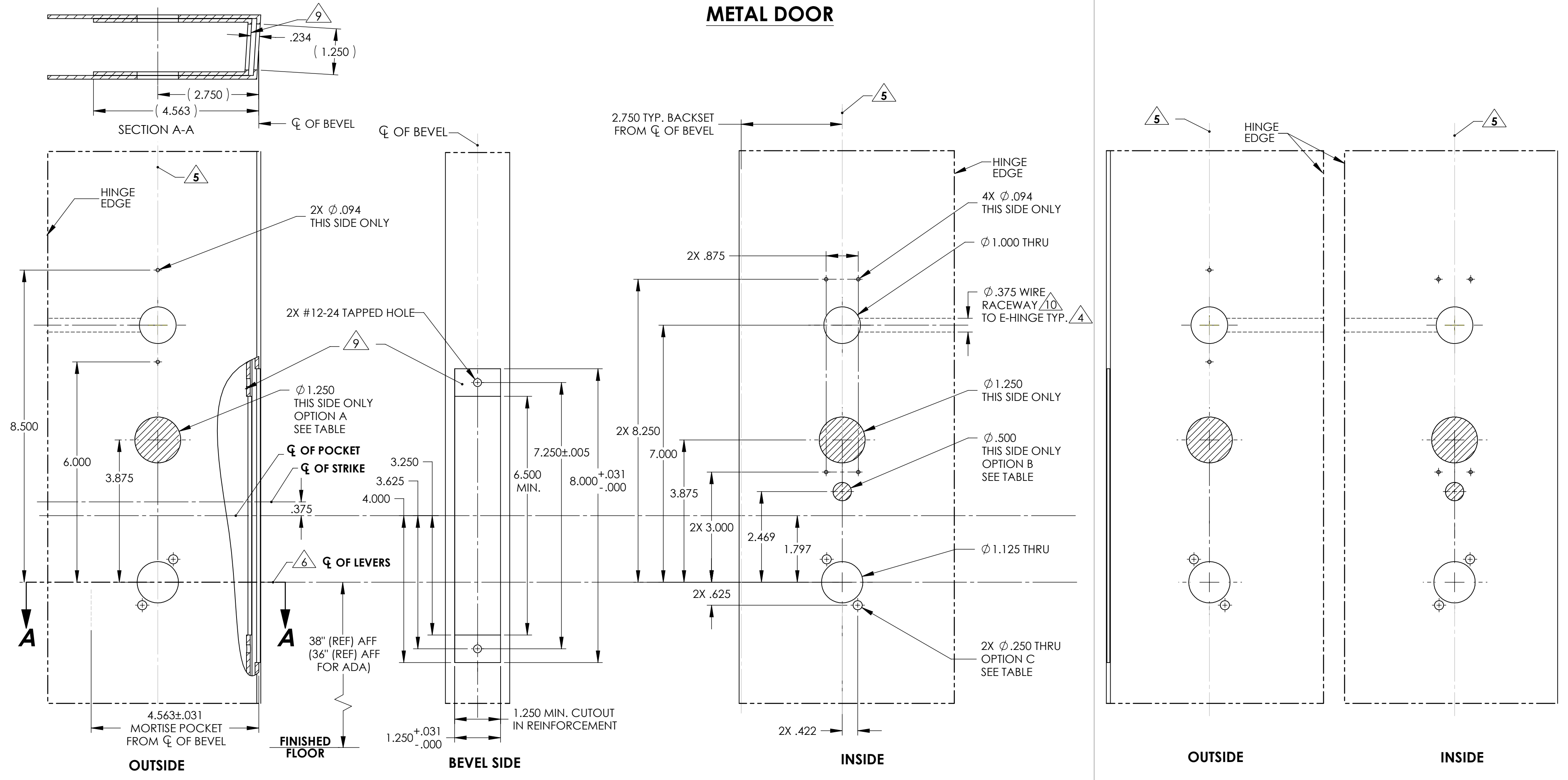


# METAL DOOR

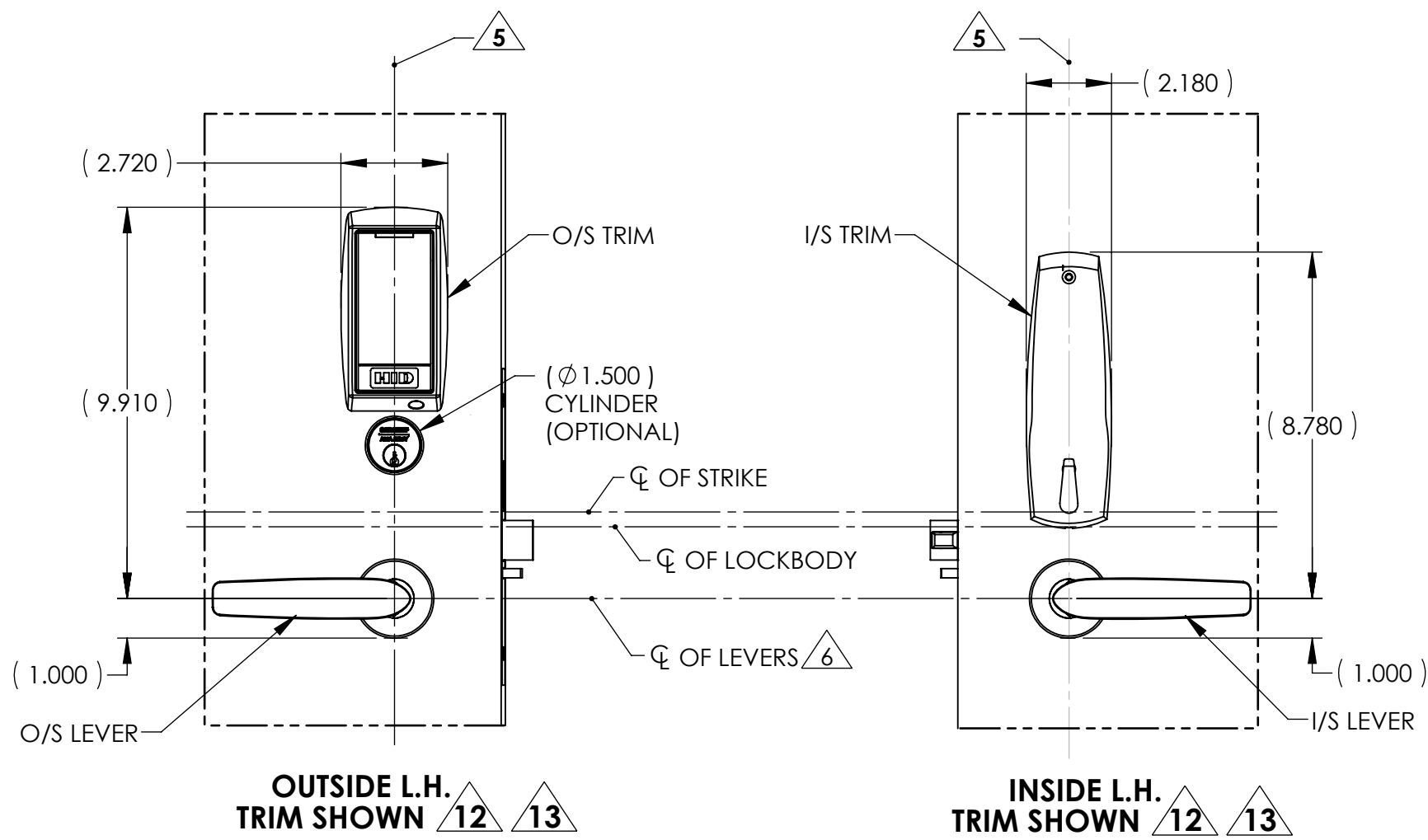


**NOTES:**

- DRAWING IS NOT TO SCALE.
- PREPARATION DETAILS ARE IN SUPPLEMENT TO ANSI/BHMA A156.115 AND/OR A115W.
- REFERENCE STRIKE TEMPLATE FOR DETAILS TO PREPARE FRAME.
- FOR ELECTROLYNX APPLICATIONS, REFER TO MCKINNEY TRANSFER DEVICE CATALOG.
- VERTICAL CENTERLINE IS REFERENCED FROM THE CENTERLINE OF THE BEVEL. (INDUSTRY STANDARD BEVEL IS 1/8 INCH IN 2 INCHES.)
- CONSULT THE AUTHORITY HAVING JURISDICTION (AHJ) TO VERIFY THE RECOMMENDED MOUNTING HEIGHT ABOVE THE FINISHED FLOOR (AFF).
- LIMITATIONS IN THE DOOR CONSTRUCTION PROCESS MAY REQUIRE SOME HOLES TO BE FIELD-LOCATED USING THE PHYSICAL PART AS A TEMPLATE.
- STANDARD TOLERANCE OF  $\pm .015$  APPLIES TO ALL DOOR PREPARATION REQUIREMENTS, UNLESS OTHERWISE SPECIFIED.
- DOOR REINFORCEMENT IS RECOMMENDED TO IMPROVE (SURFACE MOUNTED) FASTENER HOLDING POWER AND CRUSH RESISTANCE (WHEN THRU-BOLTING IS EMPLOYED). CONSTRUCTION TECHNIQUES SHOULD REFLECT INDUSTRY BEST PRACTICES (I.E. WDMA, SDI) AND AUTHORIZED METHODS WHERE LABEL SERVICE (I.E. UL, W-H) IS IN EFFECT.
- WIRE RACEWAY AREAS SHOULD BE FREE OF OBSTRUCTIONS & SHARP EDGES TO PROTECT WIRES FROM CUTS & ABRASIONS.
- CAREFULLY NOTE WHICH FEATURES ARE OPTIONAL, (WHETHER THE FEATURE APPLIES TO BOTH SIDES OF THE DOOR AND/OR IF A DEPTH APPLIES.)
- MAXIMUM PRODUCT DIMENSIONS ARE SHOWN FOR THE PURPOSE OF VERIFYING FITMENT WITH DOOR FRAME STOPS, DOOR STILE SIZE & LIGHT/LOUVER KITS.
- IF OPTIONAL LEVERS OR ROSES ARE USED REFERENCE THE RELATED PRODUCT DIMENSIONS TO VERIFY THE FITMENT REQUIREMENTS.

L.H. DOOR

R.H. DOOR



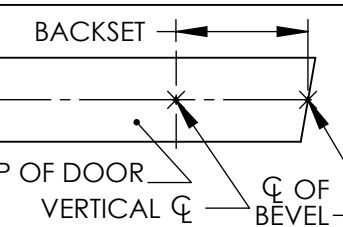
**AUTHORIZED PREFIXES**

M1

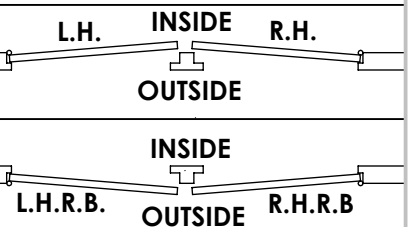
**OPTIONS TABLE**

OPTION	DESCRIPTION	USED FOR FUNCTIONS			
		82280 82281	82284 82285	82270 82271	82274 82275
A	CYLINDER	X	-	X	-
B	THUMB TURN	X	X	-	-
R8200					
C	POST HOLES	DO NOT PREP			

**BACKSET DEFINITION**

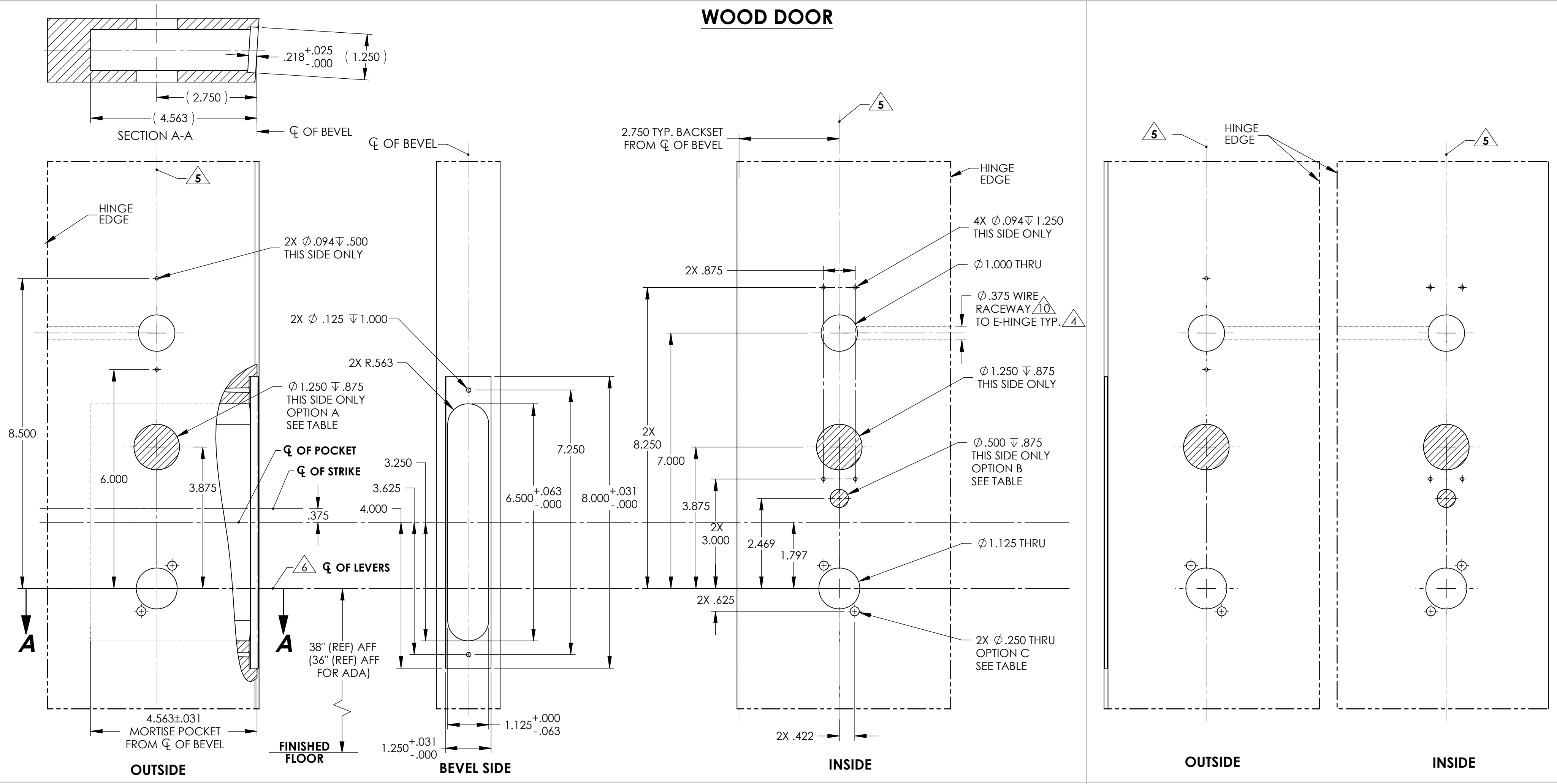


**DOOR HANDING**



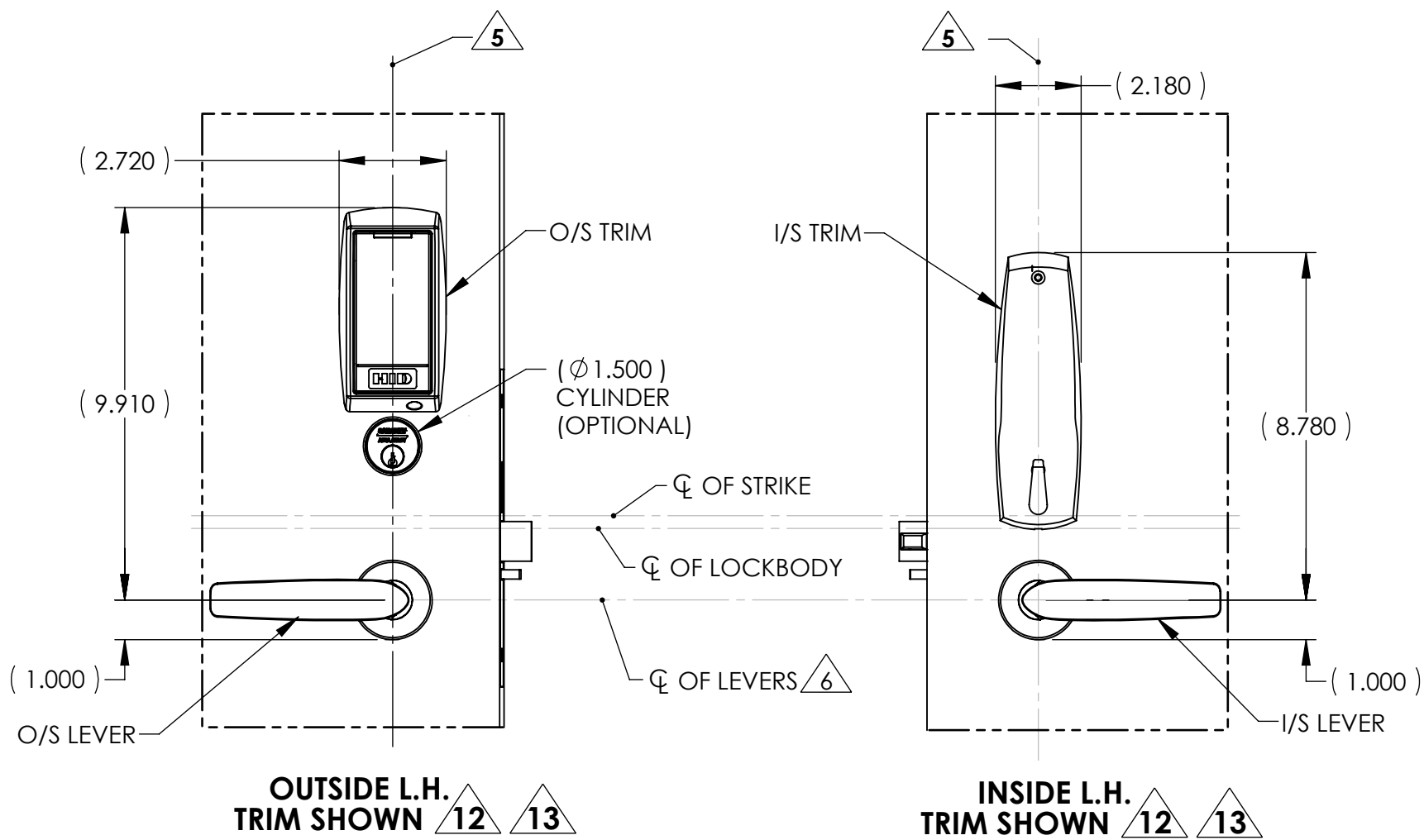
**SARGENT ASSA ABLOY** Sargent Manufacturing Company  
 100 Sargent Drive New Haven, CT 06511  
 DOOR MANUFACTURERS TEMPLATE: SE SERIES TRIM METAL DOOR 8200 & R8200 MORTISE LOCK  
 RELEASE DATE: 09-DEC-11  
 TEMPLATE NO.: 4702 B  
 SHEET 1 OF 2

# WOOD DOOR



**NOTES:**

1. DRAWING IS NOT TO SCALE.
2. PREPARATION DETAILS ARE IN SUPPLEMENT TO ANSI/BHMA A156.115 AND/OR A115W.
3. REFERENCE STRIKE TEMPLATE FOR DETAILS TO PREPARE FRAME.
4. FOR ELECTROLYNX APPLICATIONS, REFER TO MCKINNEY TRANSFER DEVICE CATALOG.
5. VERTICAL CENTERLINE IS REFERENCED FROM THE CENTERLINE OF THE BEVEL. (INDUSTRY STANDARD BEVEL IS 1/8 INCH IN 2 INCHES.)
6. CONSULT THE AUTHORITY HAVING JURISDICTION (AHJ) TO VERIFY THE RECOMMENDED MOUNTING HEIGHT ABOVE THE FINISHED FLOOR (AFF). LIMITATIONS IN THE DOOR CONSTRUCTION PROCESS MAY REQUIRE SOME HOLES TO BE FIELD-LOCATED USING THE PHYSICAL PART AS A TEMPLATE.
7. STANDARD TOLERANCE OF  $\pm$  .015 APPLIES TO ALL DOOR PREPARATION REQUIREMENTS, UNLESS OTHERWISE SPECIFIED.
8. DOOR REINFORCEMENT IS RECOMMENDED TO IMPROVE (SURFACE MOUNTED) FASTENER HOLDING POWER AND CRUSH RESISTANCE (WHEN THRU-BOLTING IS EMPLOYED). CONSTRUCTION TECHNIQUES SHOULD REFLECT INDUSTRY BEST PRACTICES (I.E. WDMA, SDI) AND AUTHORIZED METHODS WHERE LABEL SERVICE (I.E. UL, W-H) IS IN EFFECT.
9. WIRE RACEWAY AREAS SHOULD BE FREE OF OBSTRUCTIONS & SHARP EDGES TO PROTECT WIRES FROM CUTS & ABRASIONS.
10. CAREFULLY NOTE WHICH FEATURES ARE OPTIONAL, (WHETHER THE FEATURE APPLIES TO BOTH SIDES OF THE DOOR AND/OR IF A DEPTH APPLIES.)
11. MAXIMUM PRODUCT DIMENSIONS ARE SHOWN FOR THE PURPOSE OF VERIFYING FITMENT WITH DOOR FRAME STOPS, DOOR STILE SIZE & LIGHT/LOUVER KITS.
12. IF OPTIONAL LEVERS OR ROSES ARE USED REFERENCE THE RELATED PRODUCT DIMENSIONS TO VERIFY THE FITMENT REQUIREMENTS.



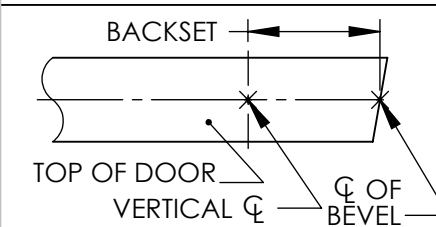
**AUTHORIZED PREFIXES**

M1

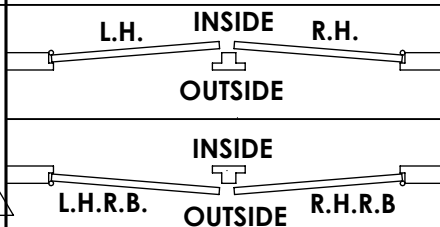
**OPTIONS TABLE**

OPTION	DESCRIPTION	USED FOR FUNCTIONS			
		82280	82284	82270	82274
A	CYLINDER	X	-	X	-
B	THUMB TURN	X	X	-	-
		R8200			
C	POST HOLES	DO NOT PREP			

**BACKSET DEFINITION**



**DOOR HANDING**



**SARGENT ASSA ABLOY**

Sargent Manufacturing Company  
 100 Sargent Drive New Haven, CT 06511

DOOR MANUFACTURERS TEMPLATE: SE SERIES TRIM WOOD DOOR 8200 & R8200 MORTISE LOCK  
 RELEASE DATE: 09-DEC-11  
 TEMPLATE NO.: 4702 B  
 SHEET 2 OF 2