

# 1710 SERIES CONCEALED OVERHEAD HOLDERS & STOPS INSTALLATION INSTRUCTIONS

**SARGENT®**  
**ASSA ABLOY**

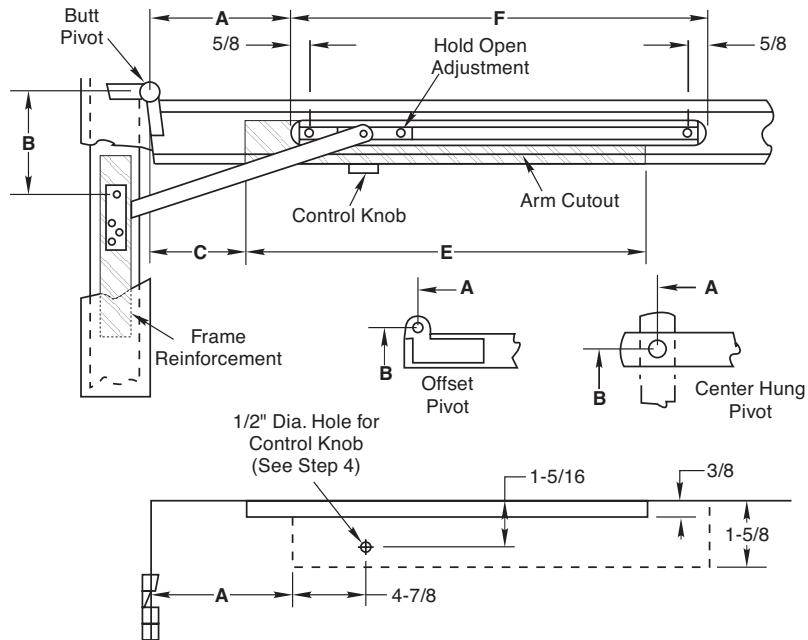
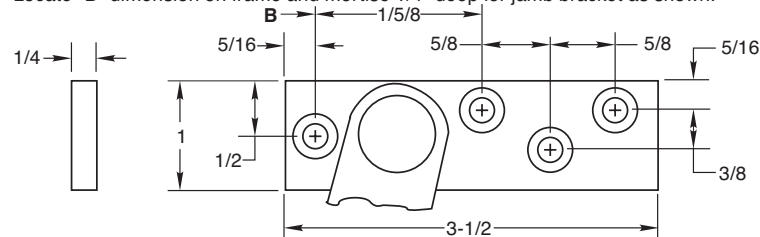
ASSA ABLOY, the global leader  
in door opening solutions

For installation assistance, contact SARGENT at 800-727-5477 • www.sargentlock.com

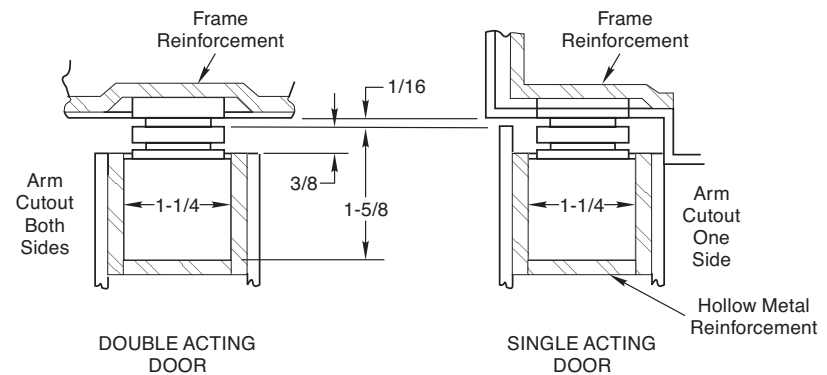
- Determine degree of hold open required. Then select proper dimensions from chart on opposite side of page. Add 5/8" to "A" dimension for dead stop.

**NOTE: A, B and C dimensions are measured from hinge center, not edge of door.**

- Locate "B" dimension on frame and mortise 1/4" deep for jamb bracket as shown.



- Locate "A" and "F" dimensions on centerline of door and mortise 1-5/8" deep for channel. 1/16" head clearance shown. Coordinate the arm and rail cutout dimensions if head clearance varies.



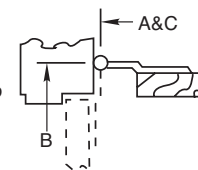
- Drill 1/2" diameter control knob hole for door holders only.
- Locate "C" and "E" dimensions on top of door and mortise 3/8" deep as shown for arm cutout.
- Install door stop or holder with screws provided. Install control knob last.

#### NOTES:

- All hollow metal frames are to be provided with 3/16" min. thickness x 12" min. length reinforcement plates.
- All hollow metal doors are to be properly reinforced as shown.
- If dead stop is required add 5/8" to "A" dimension as noted on opposite side of page.
- A, B and C dimensions are measured from centerline of pivot, not edge of door.
- Left hand shown, right hand opposite.

#### CAUTION:

Note location of swing clear hinge centerline to determine "A", "B" and "C" dimensions.



Screw Details	
Jamb	Door
1/4-20 x 3/4" FHMS or #14 x 1-1/2" FHWS	5/16-18 x 1-1/2" FHMS or #18 x 3" FHWS

# 1710 SERIES CONCEALED OVERHEAD HOLDERS & STOPS INSTALLATION INSTRUCTIONS

**SARGENT**  
**ASSA ABLOY**

ASSA ABLOY, the global leader  
in door opening solutions

For installation assistance, contact SARGENT at 800-727-5477 • www.sargentlock.com

## 1710 Series Concealed Door Stops and Holders

1. See other side for installation instructions.
2. Select proper dimensions noted below.
3. Add 5/8" to "A" dimension for dead stop.
4. All dimensions given in inches.

**When Using Center Hung Pivots, Check Pivot  
Manufacturer's Compatibility Prior to Specifying**

\* Butt mounting only.  
Reversible, non-handed

Device Number	Degree	85° H.O.				90° H.O.				95° H.O.				100° H.O.				105° H.O.				110° H.O.				F	
		A	B	C	E	A	B	C	E	A	B	C	E	A	B	C	E	A	B	C	E	A	B	C	E		
1 3/4" - 2 1/4" Butts & 3/4" Offset Pivot	Multi Function	Door Opening																									
	1711H	24 - 28	7/416	5/2	4 3/4	11 7/8	4 1/8	5 3/8	4 1/2	13 1/4	3 13/16	4 7/8	3	14 7/16	3 1/2	4 9/16	1 1/2	15 5/8	3 1/4	4 5/16	0	16 7/8	3 1/16	4 1/8	0	16 5/8	17 3/16
	1712H	28 1/16 - 33	6 3/16	6 9/16	6	15 3/4	5 13/16	6 3/8	5 1/2	15 7/8	5 7/16	5 13/16	4 1/2	16 1/2	5 1/8	5 1/2	3 1/2	17 3/16	4 7/8	5 1/4	2 1/4	18 3/8	4 5/8	5	1	19 1/8	18 7/16
	1713H	33 1/16 - 38	9 3/4	7 7/8	7 3/4	19 1/16	9 5/16	7 7/16	7 1/4	19 1/8	8 7/8	7	6 3/4	19 1/8	8 7/16	9 9/16	6 1/4	19 1/4	8 1/8	6 1/4	5 1/2	19 5/8	7 7/8	6	4 1/4	20 5/8	19 15/16
	1714H	38 1/16 - 43	12 11/16	9 11/16	9 1/2	22 3/8	12 3/16	9 3/16	9	22 3/8	11 11/16	8 11/16	8 1/2	22 3/8	11 3/16	8 3/16	8	22 3/8	10 3/4	7 3/4	7 1/2	22 3/8	10 7/16	7 7/16	7 1/4	22 3/8	22 1/16
1715H	43 1/16 - 48	16 5/16	11 1/16	10 3/4	26 1/4	15 11/16	10 7/16	10 1/4	26 1/4	15 1/16	9 13/16	9 1/2	26 1/4	14 9/16	9 5/16	9	26 1/4	14 1/8	8 7/8	8 3/4	26 1/4	13 3/4	8 1/2	8 1/4	26 1/4	23 9/16	

NOTE: A, B, and C dimensions measured from centerline of pivot, not edge of door.

Device Number	Degree	85° H.O.				90° H.O.				95° H.O.				100° H.O.				105° H.O.				110° H.O.				F	
		A	B	C	E	A	B	C	E	A	B	C	E	A	B	C	E	A	B	C	E	A	B	C	E		
1 3/4" - 2 1/4" Center Hung	Multi Function	Door Opening																									
	1711H	--	--	--	--	--	--	--	--	--	--	--	--	--	--	--	--	--	--	--	--	--	--	--	--	--	--
	1712H	30 - 36	6 5/8	7	6 3/4	15 3/8	6 1/4	6 5/8	6 3/8	15 3/8	5 7/8	6 1/4	6	15 3/8	5 9/16	5 15/16	5 3/4	15 3/8	5 5/16	5 11/16	5 1/2	15 3/8	--	--	--	19 1/8	18 7/16
	1713H	36 1/16 - 41	10 3/8	8 1/2	8 1/4	19 1/8	9 7/8	8	7 3/4	19 1/8	9 7/16	7 9/16	7 3/8	19 1/8	9 1/16	7 3/16	7	19 1/8	8 11/16	6 13/16	6 1/2	19 1/8	8 3/8	6 1/2	6 1/4	19 1/8	19 15/16
	1714H	41 1/16 - 46	13 1/4	10 1/4	10	22 3/8	12 5/8	9 5/8	9 3/8	22 3/8	12 1/8	9 1/8	9	22 3/8	11 5/8	8 5/8	8 1/2	22 3/8	11 1/4	8 1/4	8	22 3/8	10 7/8	7 7/8	7 3/4	22 3/8	22 1/16
1715H	46 1/16 - 50	17	11 3/4	11 1/2	26 1/8	16 1/4	11	10 3/4	26 1/8	15 9/16	10 5/16	10	26 1/8	15 1/16	9 13/16	9 1/2	26 1/8	14 5/8	9 3/8	9	26 1/8	14 3/16	8 15/16	8 3/4	26 1/8	23 9/16	

Copyright © 2011 Sargent Manufacturing Company, an  
ASSA ABLOY Group company. All rights reserved. Reproduction  
in whole or in part without the express written permission of  
Sargent Manufacturing Company is prohibited.