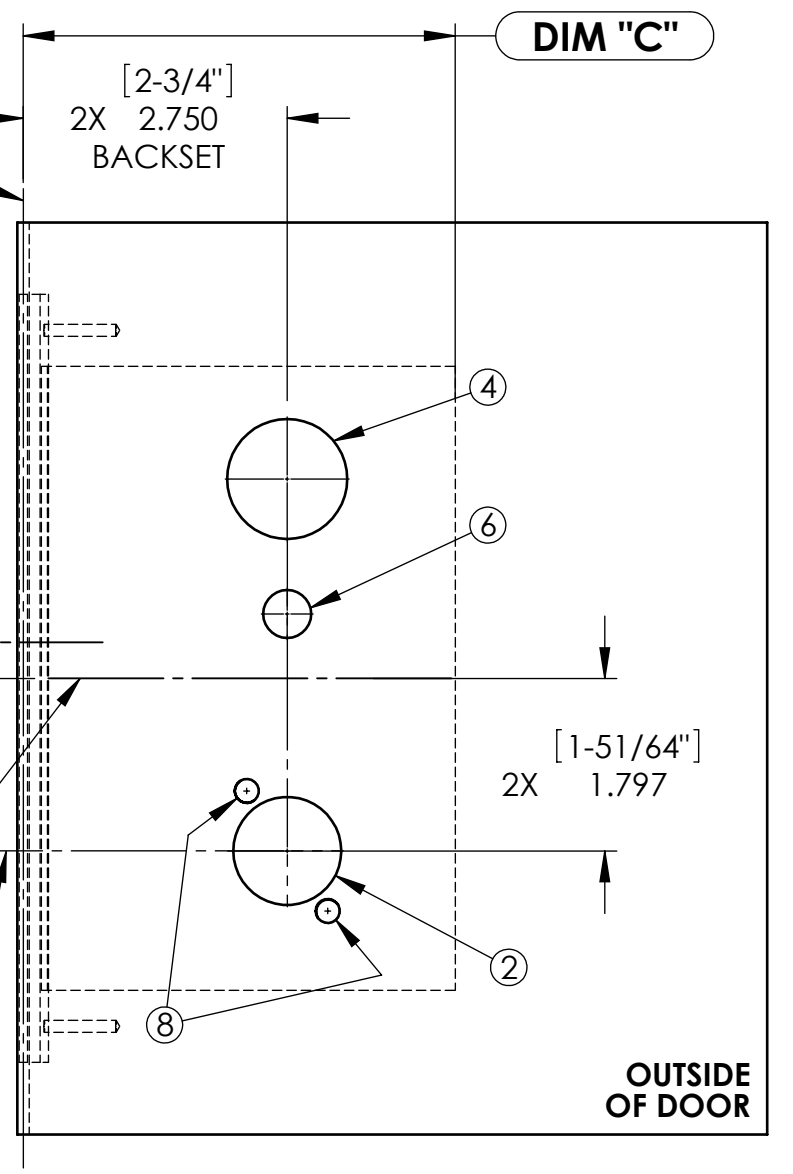
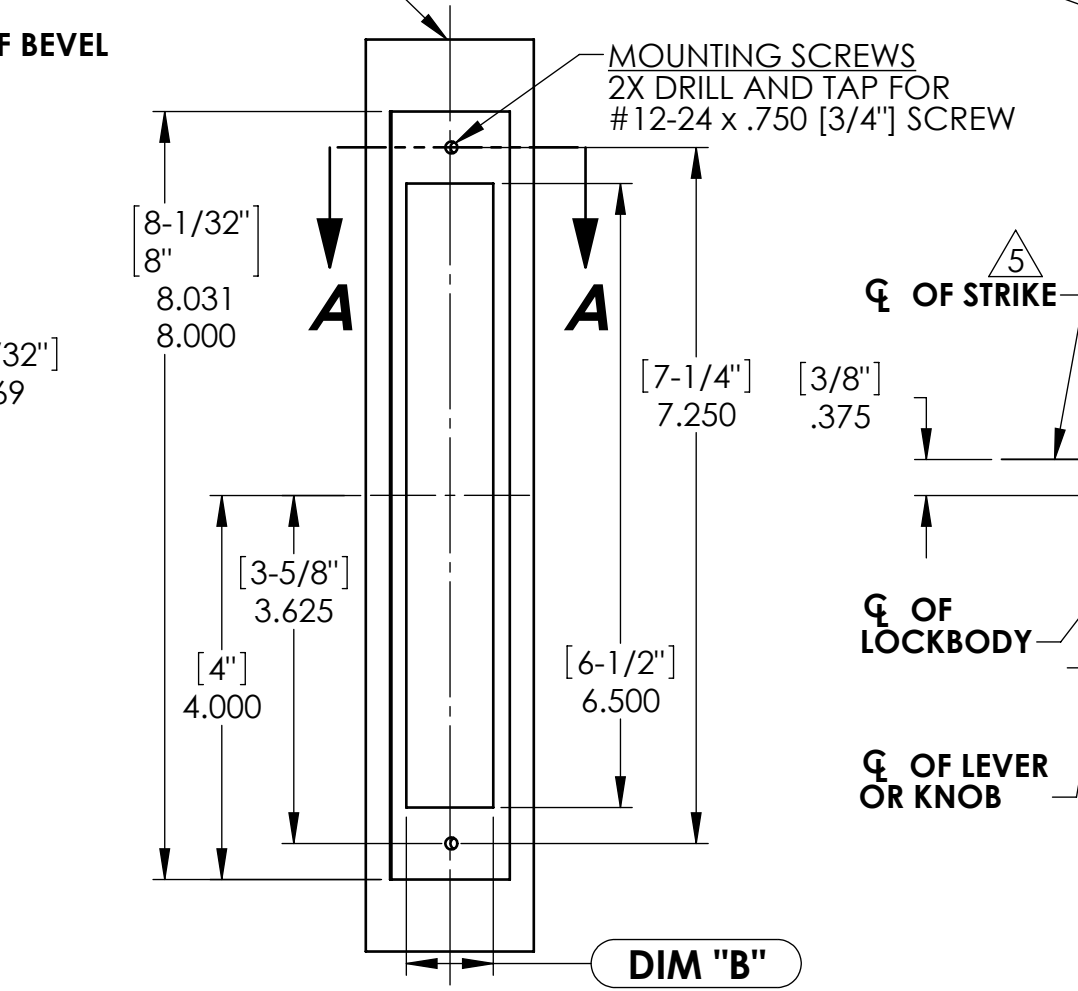
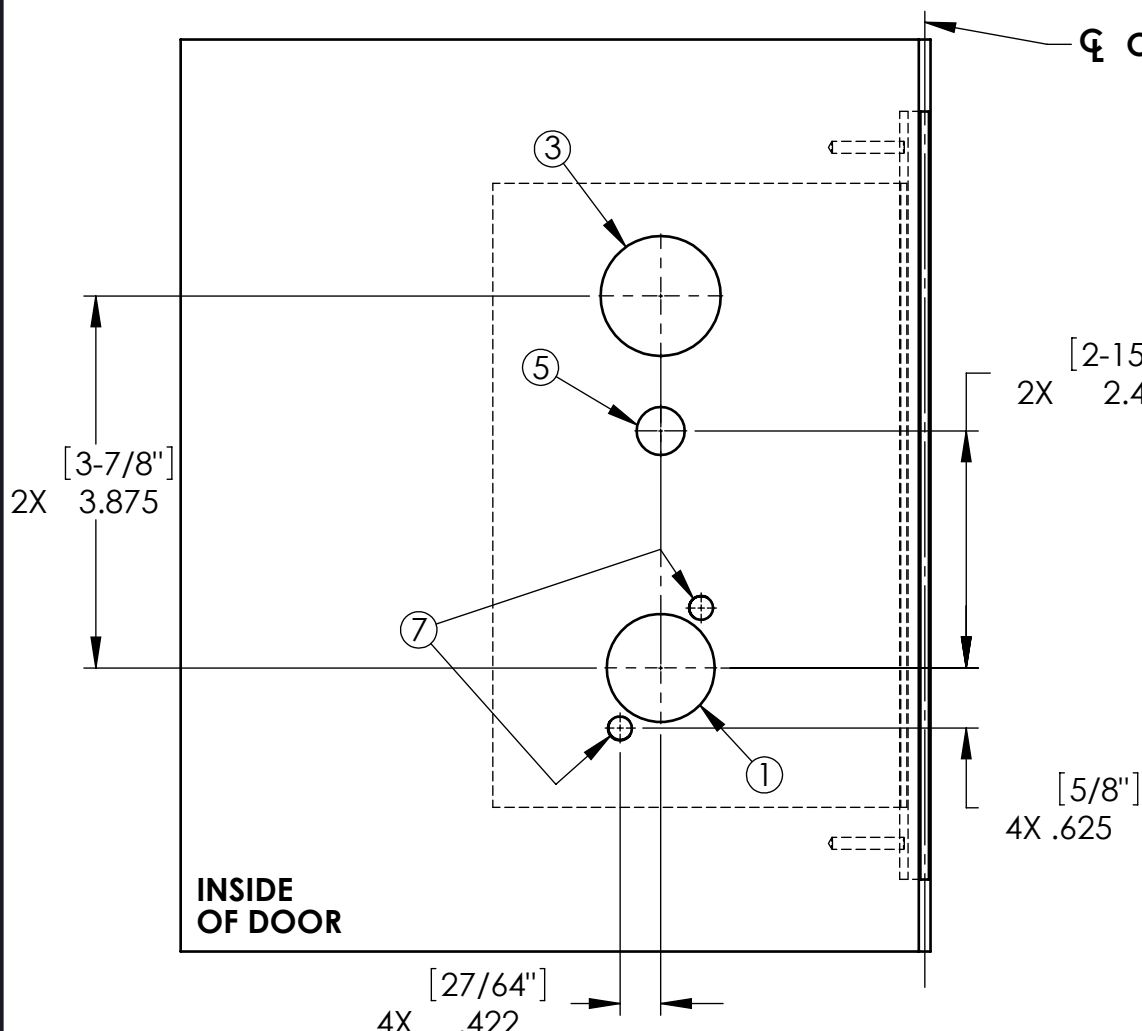
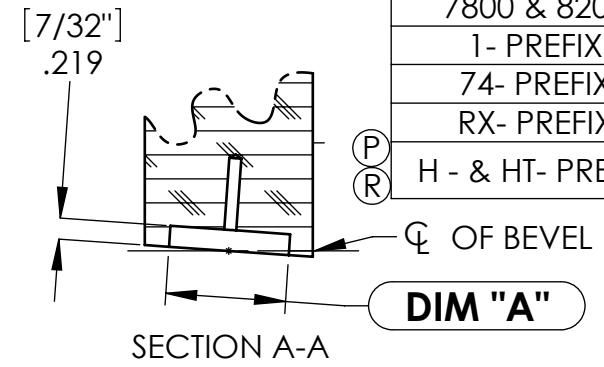


FUNCTION	REQUIRED HOLES							
	1 1.125" [1-1/8"] DIA.	2 1.125" [1-1/8"] DIA.	3 1.250" [1-1/4"] DIA.	4 1.250" [1-1/4"] DIA.	5 .500" [1/2"] DIA.	6 .500" [1/2"] DIA.	7 .250" [1/4"] DIA.	8 .250" [1/4"] DIA.
03, 21				■	■			
04, 27, 30, 37, 55, 70, 71, 89, NAC-270/271	■	■		■			■	■
06, 91				■			■	
05*, 24, 25, 28, 43, 45, 47, 50, 51, 56, , 67, 281, NAC-280/281	■	■		■	■		■	■
13, 95							■	
15, 96, 97, NAC-274/275	■	■					■	■
16, 17, 26, 29, 38, 39, 40, 41, 46, 48, 49, 52, 59, 72, 73, 90	■	■	■	■			■	■
20				■				
22			■	■				
23			■	■	■			
31, 35, 36		■		■				■
65, 66, 68	■	■		■	■	■	■	■
92	■		■	■			▲	
NAC-284/285	■	■		■	■		■	■

* ALL 05 LOCKS
MANUFACTURED PRIOR
TO 7/6/04 USE 55
FUNCTION DOOR PREP.

THIS TEMPLATE COVERS THE 7800 & 8200 SERIES LOCKSET IN ACCORDANCE WITH THE SPECIFICATIONS INDICATED BELOW:			
LOCK LINES & VARIATIONS	VARIABLE DIMENSIONS		
	DIM "A"	DIM "B"	DIM "C"
7800 & 8200	1.250±.015 [1-1/4"]	.906 [29/32"]	4.125 [4-1/8"]
1- PREFIX	1.062±.015 [1-1/16"]	.906 [29/32"]	4.125 [4-1/8"]
74- PREFIX	1.250±.015 [1-1/4"]	1.125 [1-1/8"]	4.250 [4-1/4"]
RX- PREFIX	1.250±.015 [1-1/4"]	1.250 [1-1/4"]	4.375 [4-3/8"]
H - & HT- PREFIX	1.250±.015 (1-1/4")	1.125 +0/-0.062 [1-1/8"]	4.375 (4-3/8")



- NOTES:
- DENOTES HOLE REQUIRED FOR FUNCTION LISTED. (CHECK TABLE BEFORE CUTTING HOLE.)
 - ▲ DENOTES HOLE #7 NOT REQUIRED FOR 7892 LOCKSET.
 - REFER TO TRIM TEMPLATE FOR ADDITIONAL HOLE REQUIREMENTS.
 - SUITABLE REINFORCEMENTS REQUIRED FOR METAL DOORS.
 - FOR DETAILS, SEE STRIKE TEMPLATE 7063.
 - FOR ADDITIONAL DETAIL FOR ELECTRIFIED FUNCTIONS (70-73 & NAC-270/271/274/275/280/281), SEE TEMPLATE 7065.

SARGENT ASSA ABLOY	SARGENT Manufacturing Company 100 Sargent Drive New Haven, CT 06511	
	TEMPLATE: MORTISE LOCK FOR 7800 AND 8200 SERIES (LOCKBODIES ONLY)	RELEASE DATE 11-APR-17 TEMPLATE NO. 7057 T