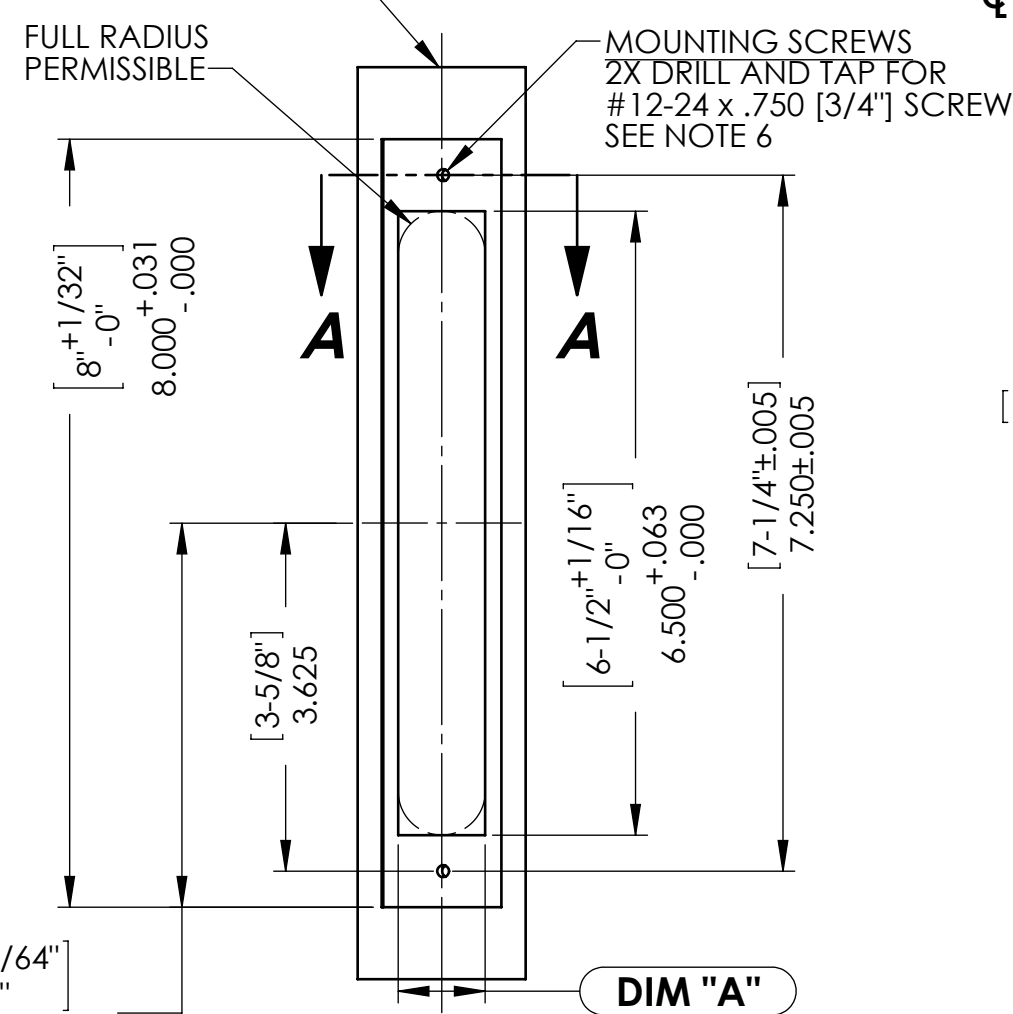
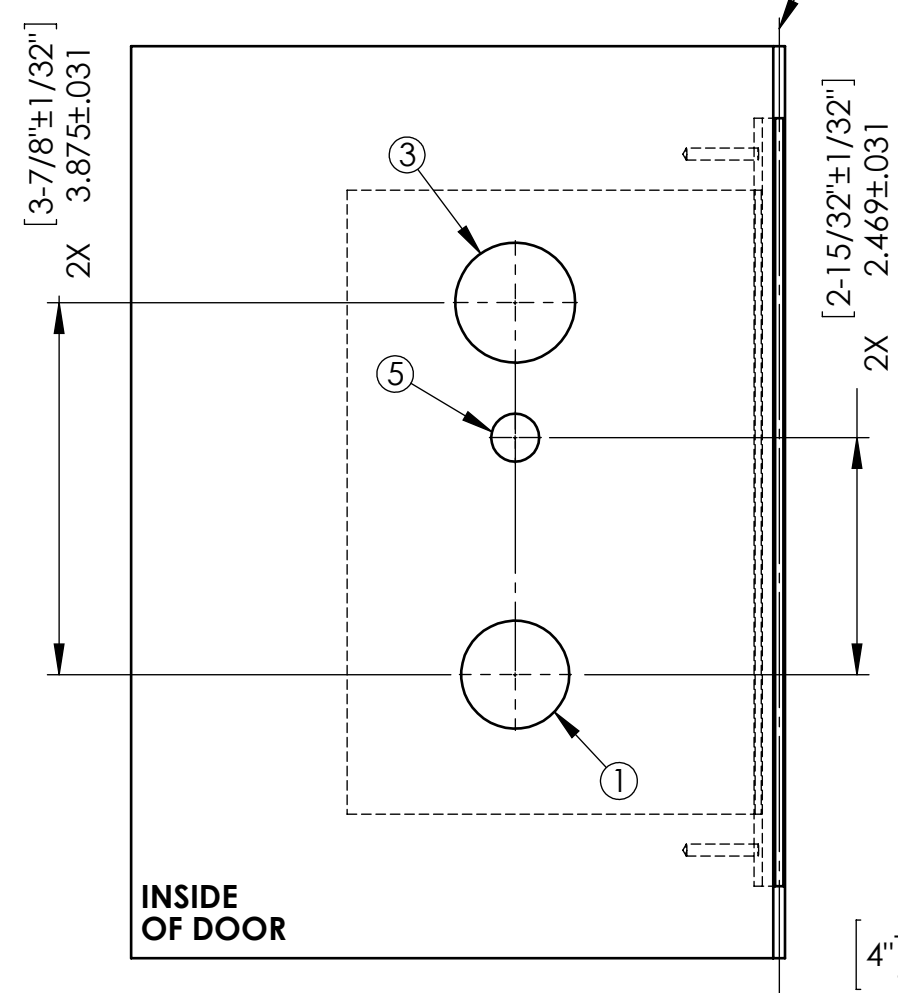
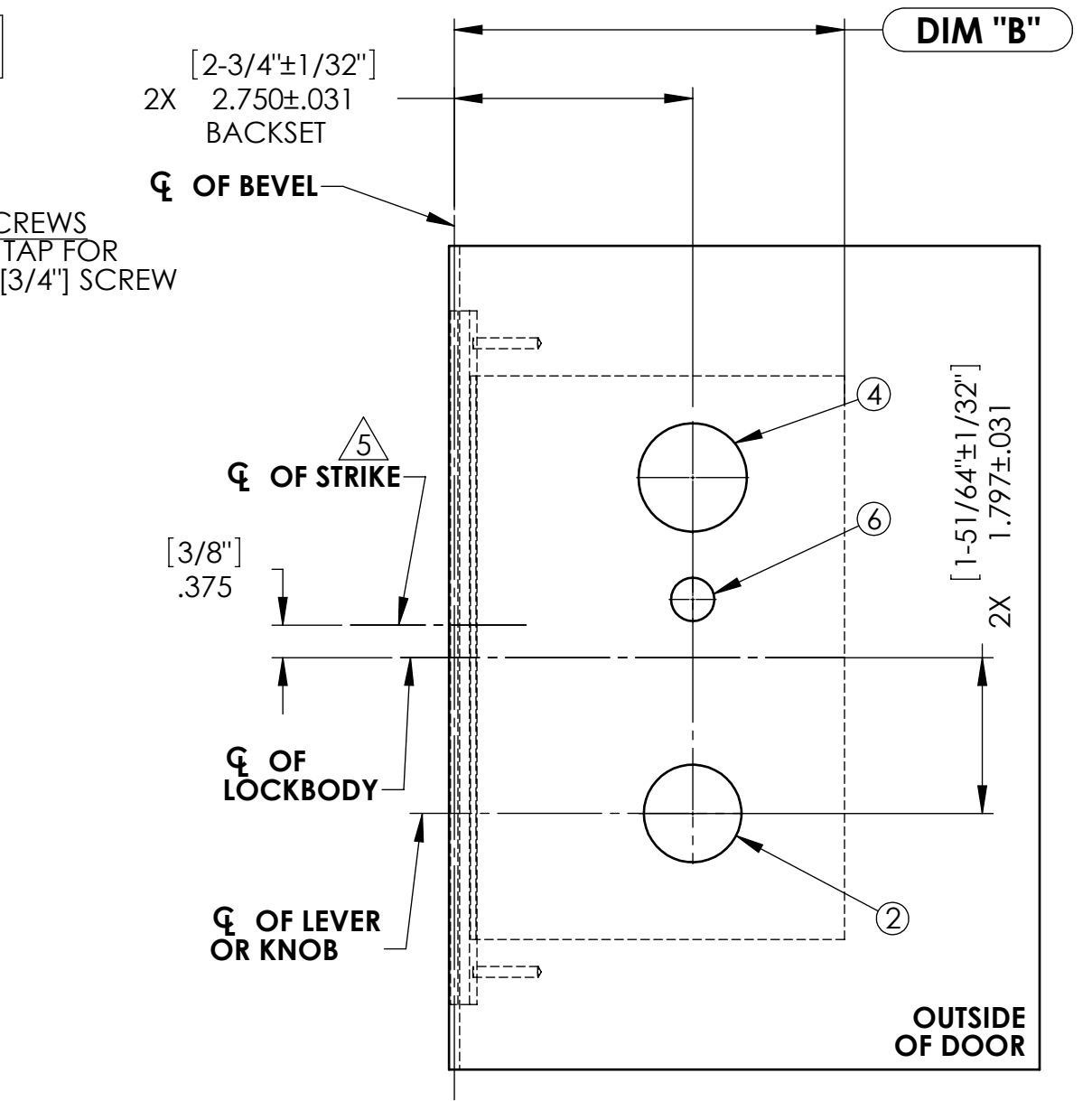
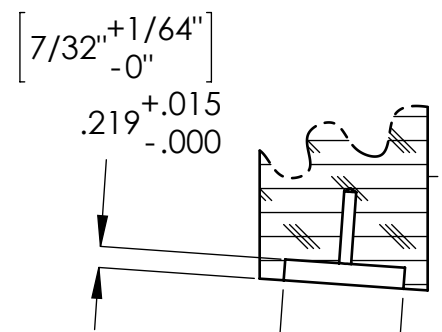


REQUIRED HOLES

FUNCTION	1	2	3	4	5	6
	1.125" +.031" -0" DIA. [1-1/8" +1/32" -0"]	1.125" +.031" -0" DIA. [1-1/8" +1/32" -0"]	1.250" +.031" -0" DIA. [1-1/4" +1/32" -0"]	1.250" +.031" -0" DIA. [1-1/4" +1/32" -0"]	.500" +.031" -0" DIA. [1/2" +1/32" -0"]	.500" +.031" -0" DIA. [1/2" +1/32" -0"]
04,27,30,37, 55,70,71	■	■		■		
06	■			■		
05,24,25,28,43,45, 47,50,51,56,67,281	■	■		■	■	
13,95	■					
15,96,97	■	■				
16,17,26,29,38,39, 40,41,46,48,49,52, 59,72,73	■	■	■	■		
31,35,36		■		■		
65,66,68	■	■			■	■

THIS TEMPLATE COVERS THE R8200 SERIES LOCKSET IN ACCORDANCE WITH THE SPECIFICATIONS INDICATED BELOW:

LOCK LINES & VARIATIONS	DIM "A"	DIM "B"
	R8200	1.000+.031/-0 [1"+1/32"/-0"]
RX- PREFIX	1.250+.031/-0 [1-1/4"+1/32"/-0"]	4.375+.062/-0 [4-3/8"+1/16"/-0"]
H1/H2 - & HT PREFIX	1.093+.031-0 [1-1/8"+1/32"/-0"]	4.375+.062/-0 [4-3/8"+1/16"/-0"]



DETAIL OF SUGGESTED DOOR-CUT

- NOTES:
- DENOTES HOLE REQUIRED FOR FUNCTION LISTED. (CHECK TABLE BEFORE CUTTING HOLE.)
  - SUITABLE REINFORCEMENTS REQUIRED FOR DOORS.
  - FOR DETAILS, SEE STRIKE TEMPLATE 7063.
  - FOR ADDITIONAL DETAIL FOR SOLENOID OPERATED FUNCTIONS (70,71,72, & 73), SEE TEMPLATE 7065.
  - FOR R8293 & R8294 FUNCTIONS, SEE TEMPLATE 4667. FOR H1-R8200 SERIES TEMPLATE SEE 4668.
  - FOR WOOD DOORS LATCH FRONT HOLES MAY BE FIELD DRILLED. LATCH FRONT HOLES ARE PERPENDICULAR TO DOOR BEVEL.

<b>SARGENT</b> <b>ASSA ABLOY</b>	Sargent Manufacturing Company 100 Sargent Drive New Haven, CT 06511	
	TEMPLATE FOR R8200 MORTISE LOCK ONLY	RELEASE DATE <b>23-MAY-11</b>
		TEMPLATE NO. 4647 B