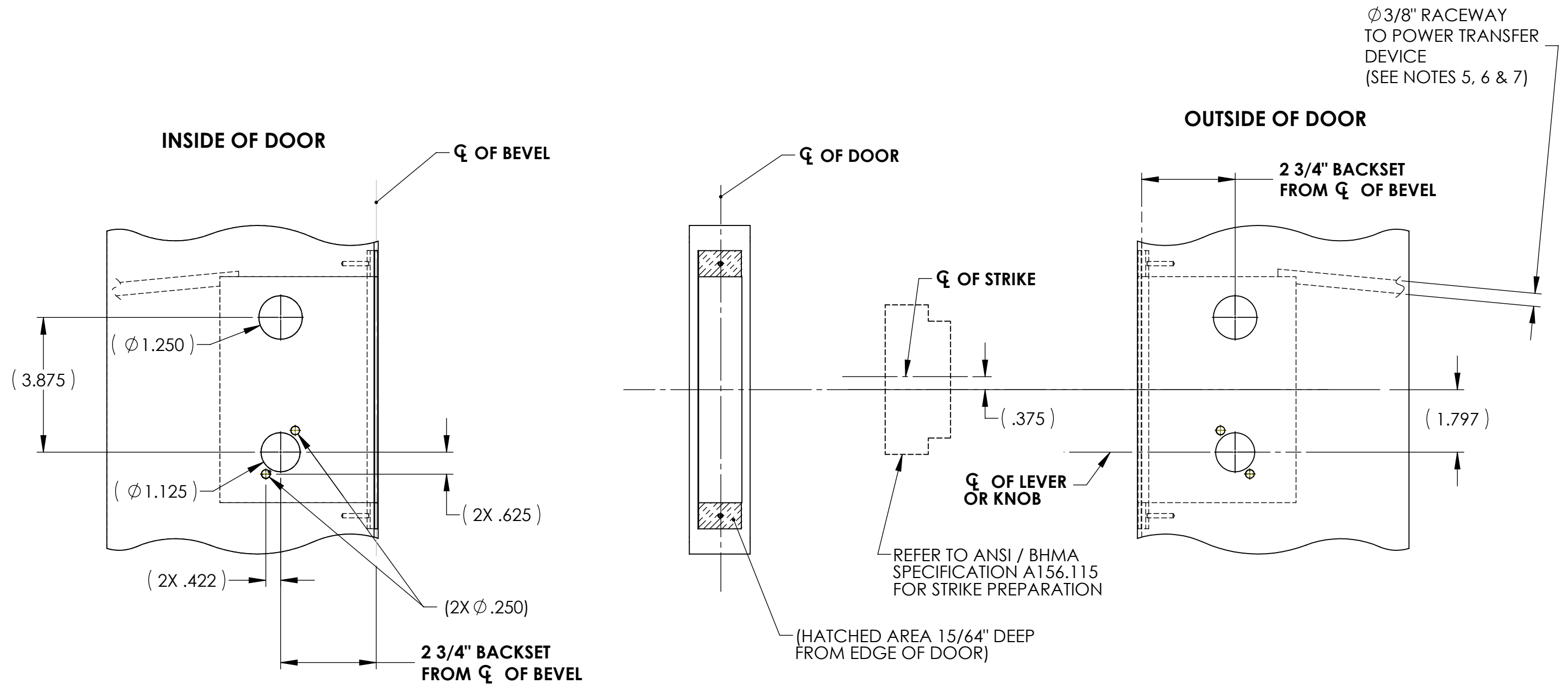


METAL DOOR PREP



NOTES:

1. FOR ADDITIONAL DETAILS OF LOCKBODY HOLE PREP DIMENSIONS, SEE TEMPLATE 7057.
FOR ADDITIONAL DETAILS ON TRIM HOLE PREP DIMENSIONS SEE APPROPRIATE TRIM TEMPLATE.
2. SUITABLE REINFORCEMENT REQUIRED FOR METAL DOORS.
3. FOR WOOD DOOR SPECIFIC PREP SEE SHEET 2.
4. FOR STANDARD STRIKE TEMPLATING, SEE TEMPLATE 7063.
5. PROVIDE AREA TO BE FREE OF OBSTRUCTIONS FOR WIRE HARNESS THROUGH DOOR.
6. FOR ELECTROLYNX APPLICATIONS, REFER TO MCKINNEY TRANSFER DEVICE CATALOG.
7. CONSULT WITH POWER TRANSFER DEVICE MANUFACTURER FOR DOOR AND FRAME TEMPLATE DETAILS.
8. TOLERANCE ALL DIMENSIONS \pm .015.

SARGENT ASSA ABLOY	SARGENT Manufacturing Company 100 Sargent Drive New Haven, CT 06511	
	ELECTRIFIED MORTISE LOCK DOOR TEMPLATE (FOR FUNCTIONS 70 THRU 73) & (PREFIXES: RX-, LX- & DX-) & (NAC-270/271/274/275/280/281)	RELEASE DATE 11-APR-17
		TEMPLATE NO. SHEET 1 - 7065 G

4

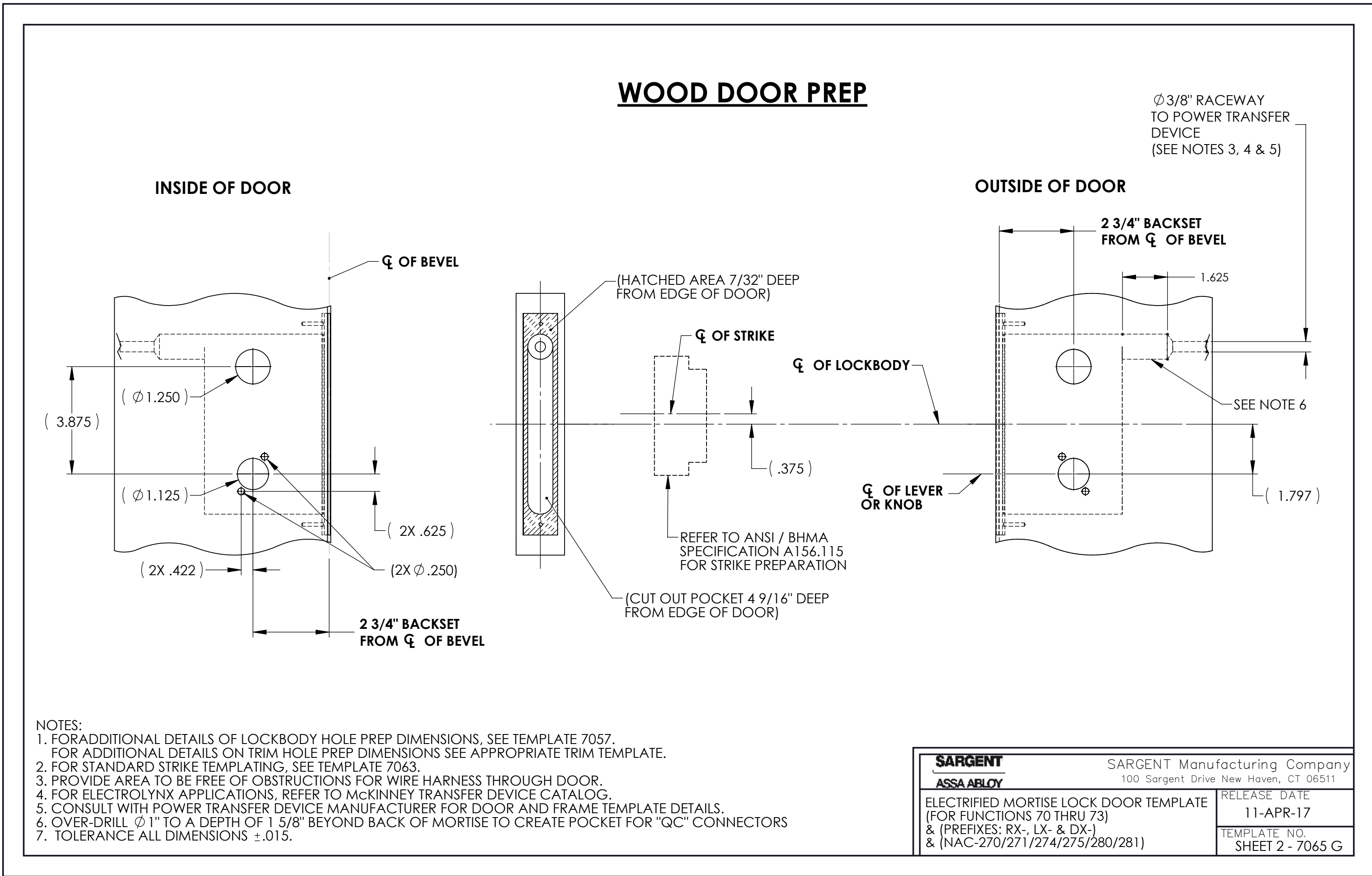
3

2

1

REVISIONS				
ZONE	REV.	DESCRIPTION	NAMEDATE	APP/DATE
-	-	See Sheet 1	-	-

WOOD DOOR PREP



- NOTES:
1. FOR ADDITIONAL DETAILS OF LOCKBODY HOLE PREP DIMENSIONS, SEE TEMPLATE 7057.
 2. FOR ADDITIONAL DETAILS ON TRIM HOLE PREP DIMENSIONS SEE APPROPRIATE TRIM TEMPLATE.
 3. PROVIDE AREA TO BE FREE OF OBSTRUCTIONS FOR WIRE HARNESS THROUGH DOOR.
 4. FOR ELECTROLYNX APPLICATIONS, REFER TO MCKINNEY TRANSFER DEVICE CATALOG.
 5. CONSULT WITH POWER TRANSFER DEVICE MANUFACTURER FOR DOOR AND FRAME TEMPLATE DETAILS.
 6. OVER-DRILL ϕ 1" TO A DEPTH OF 1 5/8" BEYOND BACK OF MORTISE TO CREATE POCKET FOR "QC" CONNECTORS
 7. TOLERANCE ALL DIMENSIONS \pm .015.

SARGENT ASSA ABLOY	SARGENT Manufacturing Company 100 Sargent Drive New Haven, CT 06511
ELECTRIFIED MORTISE LOCK DOOR TEMPLATE (FOR FUNCTIONS 70 THRU 73) & (PREFIXES: RX-, LX- & DX-) & (NAC-270/271/274/275/280/281)	RELEASE DATE 11-APR-17
	TEMPLATE NO. SHEET 2 - 7065 G

INTERPRET DRAWING PER ANSI Y14.5M -1994		DRAWN BY/DATE FRM 12/25/10		SARGENT SARGENT Manufacturing Company 100 Sargent Drive New Haven, CT 06511	
UNLESS OTHERWISE SPECIFIED ALL DIMENSIONS ARE IN INCHES.		CHECKED BY/DATE PN 14/1/10		ART. ELECTRIFIED MORTISE LOCK	
TOLERANCE	.XX \pm .01	MFG ENG/DATE	WM 14/1/10	TITLE: DOOR MANUFACTURERS TEMPLATE	
ANGLE	\pm 1°	FNL APPROVAL/DATE	JW 14/5/10	SIZE DWG No. 7065	
FRACTION	\pm 1/64	FNL APPROVAL/DATE	-	SCALE: 1:3	
CONFIDENTIAL <small>THIS DOCUMENT IS THE CONFIDENTIAL PROPERTY OF SARGENT MANUFACTURING AND IS NOT TO BE REPRODUCED, USED OR DISCLOSED BY ANYONE WITHOUT THE EXPRESS WRITTEN PERMISSION OF THE SARGENT MANUFACTURING COMPANY.</small>		PROD CTRL/FNL REL NAM 14/8/10		SHEET: 2 of 2	

4

3

2

1

D

C

B

A

D

C

REV G

SH 2

DWG No. 7065

A

Form Rev. 28-Oct-2005