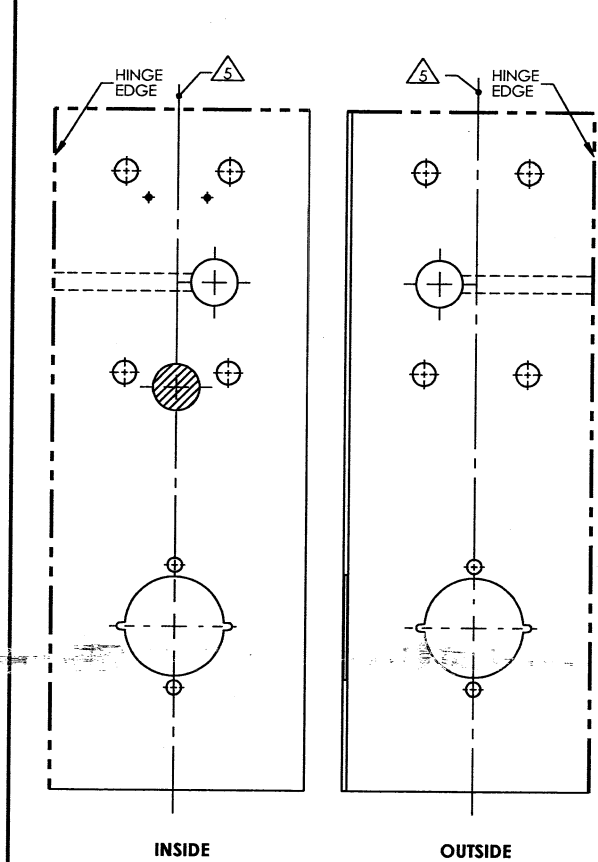
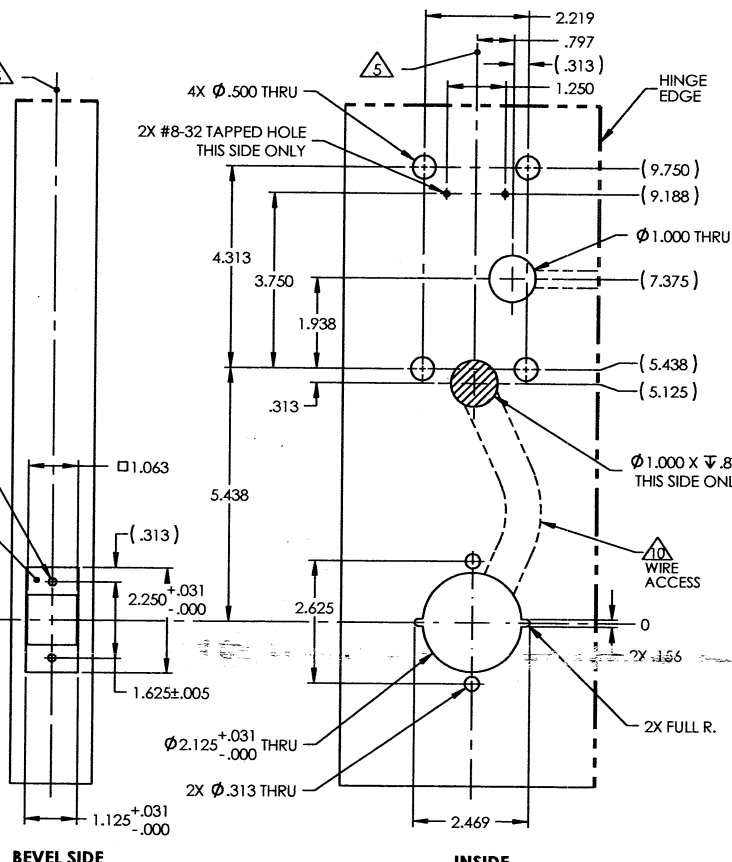
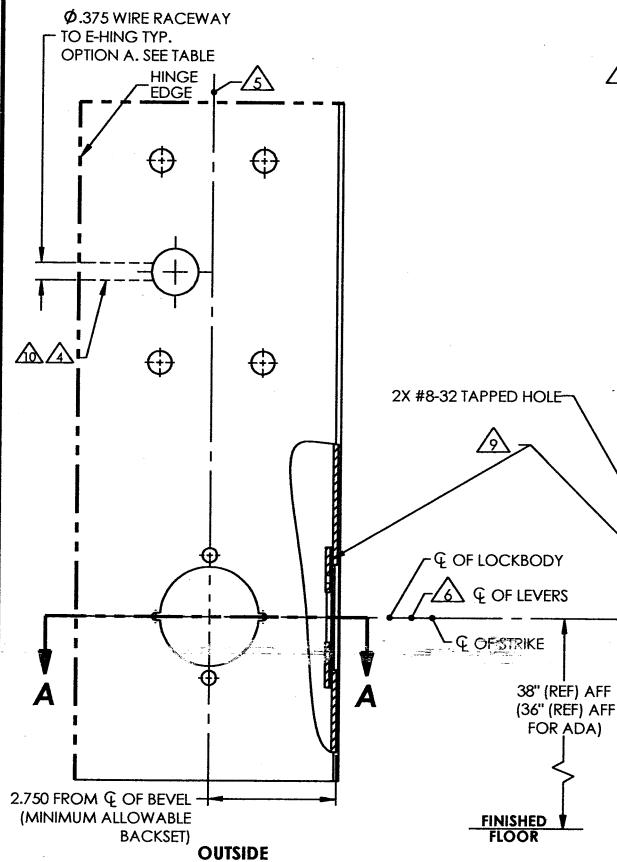
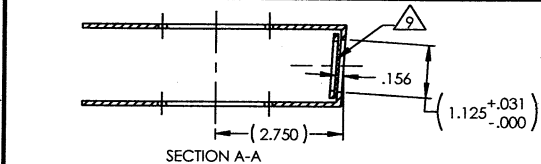
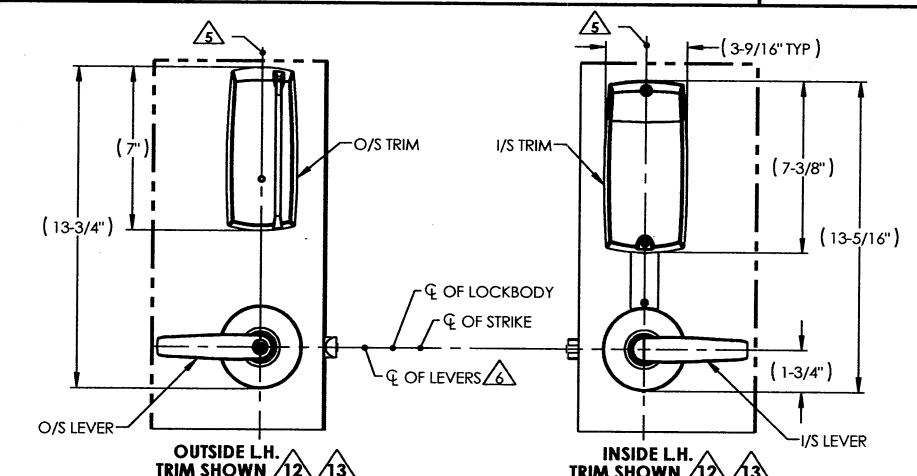


METAL DOOR



- NOTES:
 1. DRAWING IS NOT TO SCALE.
 2. PREPARATION DETAILS ARE IN SUPPLEMENT TO ANSI/BHMA A156.115 AND/OR A115W.
 3. REFERENCE STRIKE TEMPLATE FOR DETAILS TO PREPARE FRAME.
 4. FOR ELECTROLYNX APPLICATIONS, REFER TO MCKINNEY TRANSFER DEVICE CATALOG.
 5. VERTICAL CENTERLINE IS REFERENCED FROM THE CENTERLINE OF THE BEVEL. (INDUSTRY STANDARD BEVEL IS 1/8 INCH IN 2 INCHES.)
 6. CONSULT THE AUTHORITY HAVING JURISDICTION (A.H.J.) TO VERIFY THE RECOMMENDED MOUNTING HEIGHT ABOVE THE FINISHED FLOOR (AFF).
 7. LIMITATIONS IN THE DOOR CONSTRUCTION PROCESS MAY REQUIRE SOME HOLES TO BE FIELD-LOCATED USING THE PHYSICAL PART AS A TEMPLATE.
 8. STANDARD TOLERANCE OF ±.015 APPLIES TO ALL DOOR PREPARATION REQUIREMENTS, UNLESS OTHERWISE SPECIFIED.
 9. DOOR REINFORCEMENT IS RECOMMENDED TO IMPROVE (SURFACE MOUNTED) FASTENER HOLDING POWER AND CRUSH RESISTANCE (WHEN THRU-BOLTING IS EMPLOYED). CONSTRUCTION TECHNIQUES SHOULD REFLECT INDUSTRY BEST PRACTICES (I.E. WDMA, SDI) AND AUTHORIZED METHODS WHERE LABEL SERVICE (I.E. UL, W-H) IS IN EFFECT.
 10. WIRE RACEWAY AREAS SHALL BE FREE OF OBSTRUCTIONS & SHARP EDGES TO PROTECT WIRES FROM CUTS & ABRASIONS.
 11. CAREFULLY NOTE WHICH FEATURES ARE OPTIONAL. (WHETHER THE FEATURE APPLIES TO BOTH SIDES OF THE DOOR AND/OR IF A DEPTH APPLIES.)
 12. MAXIMUM PRODUCT DIMENSIONS ARE SHOWN FOR THE PURPOSE OF VERIFYING FITMENT WITH DOOR FRAME STOPS, DOOR STILE SIZE & LIGHT/LOUVER KITS.
 13. IF OPTIONAL LEVERS OR ROSES ARE USED REFERENCE THE RELATED PRODUCT DIMENSIONS TO VERIFY THE FITMENT REQUIREMENTS.



AUTHORIZED PREFIXES
 P2

OPTIONS TABLE			
OPTION	DESCRIPTION	USED FOR PREFIXES	
A	HARDWARE	91- (HARD POWER)	ALL OTHERS
X			

BACKSET DEFINITION		DOOR HANDING	
BACKSET	TOP OF DOOR - VERTICAL \bar{C}	L.H.	R.H.
	\bar{C} OF BEVEL	INSIDE	OUTSIDE
		L.H.R.B.	OUTSIDE R.H.R.B.

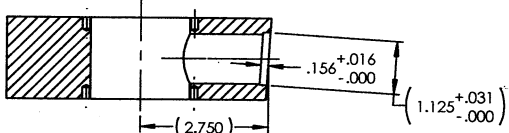
COMPANY Sargent Manufacturing Company
 100 Sargent Drive New Haven, CT 06511

DOOR MANUFACTURERS TEMPLATE: P2 PASSPORT 1000 TRIM "W/O DPS"
 METAL DOOR
 10 LINE BORED LOCK

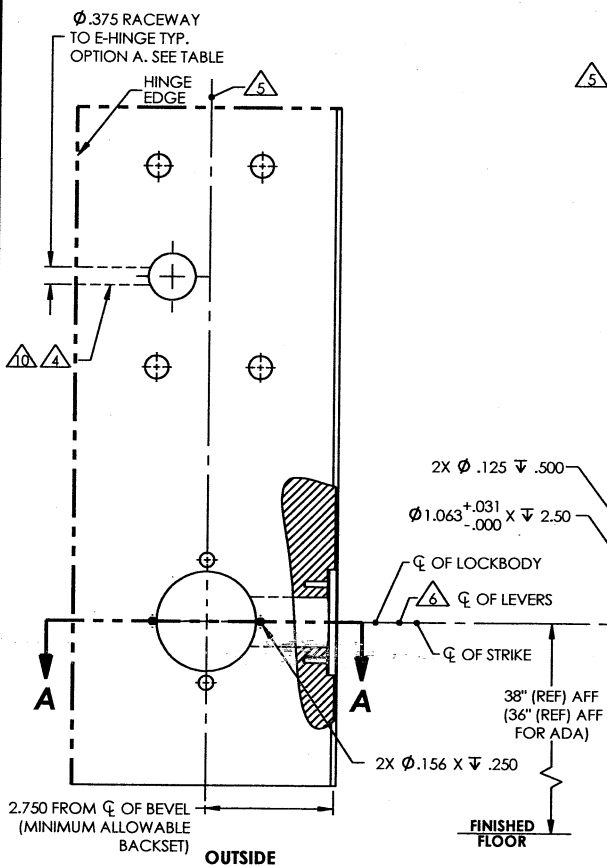
RELEASE DATE: 03-NOV-10
 TEMPLATE NO. 4691 A

SHEET 1 OF 2

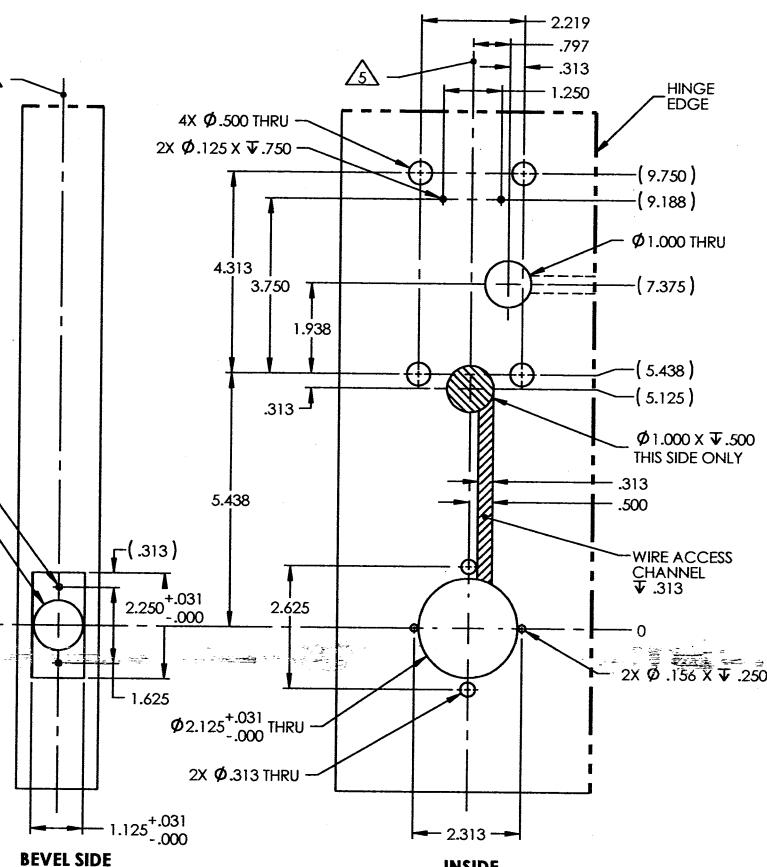
WOOD DOOR



SECTION A-A

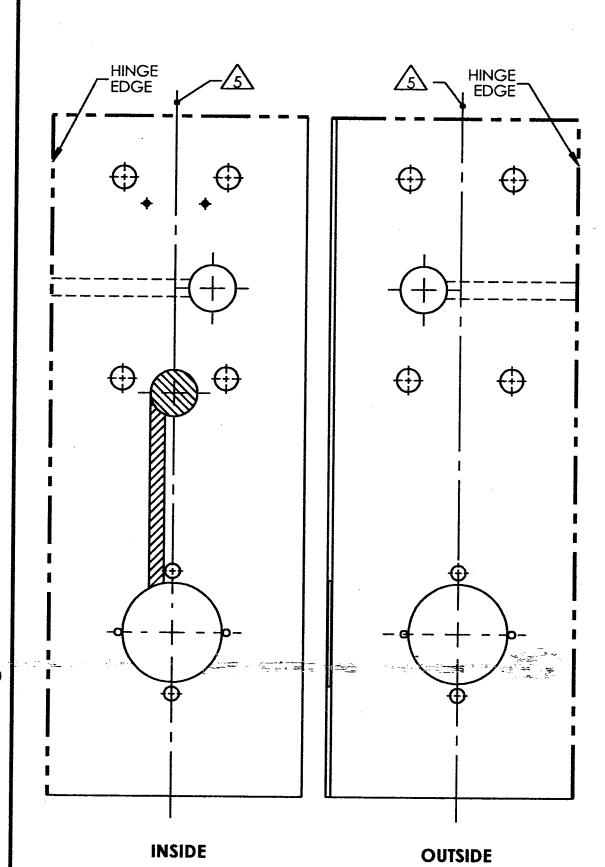


OUTSIDE



BEVEL SIDE
LH. DOOR

INSIDE

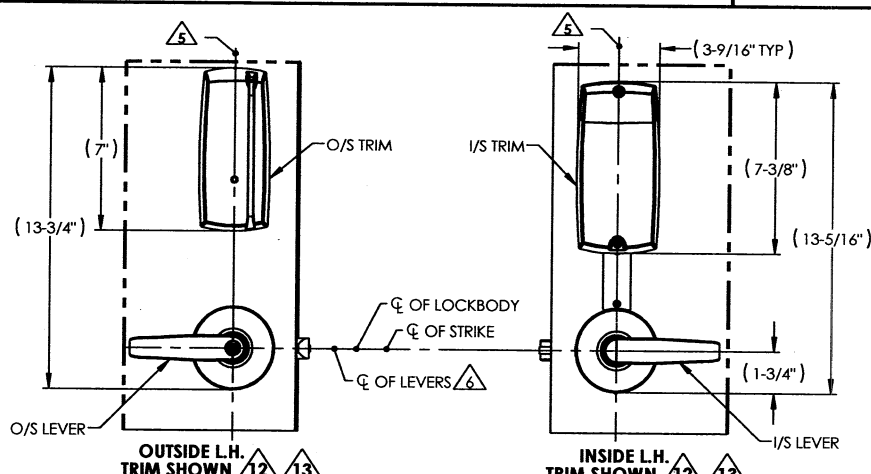


INSIDE

OUTSIDE

R.H. DOOR

- NOTES:
- DRAWING IS NOT TO SCALE.
 - PREPARATION DETAILS ARE IN SUPPLEMENT TO ANSI/BHMA A156.115 AND/OR A115W.
 - REFERENCE STRIKE TEMPLATE FOR DETAILS TO PREPARE FRAME.
 - FOR ELECTROLYNX APPLICATIONS, REFER TO MCKINNEY TRANSFER DEVICE CATALOG.
 - VERTICAL CENTERLINE IS REFERENCED FROM THE CENTERLINE OF THE BEVEL. (INDUSTRY STANDARD BEVEL IS 1/8 INCH IN 2 INCHES.)
 - CONSULT THE AUTHORITY HAVING JURISDICTION (AHJ) TO VERIFY THE RECOMMENDED MOUNTING HEIGHT ABOVE THE FINISHED FLOOR (AFF). LIMITATIONS IN THE DOOR CONSTRUCTION PROCESS MAY REQUIRE SOME HOLES TO BE FIELD-LOCATED USING THE PHYSICAL PART AS A TEMPLATE.
 - STANDARD TOLERANCE OF ± .015 APPLIES TO ALL DOOR PREPARATION REQUIREMENTS, UNLESS OTHERWISE SPECIFIED.
 - DOOR REINFORCEMENT IS RECOMMENDED TO IMPROVE (SURFACE MOUNTED) FASTENER HOLDING POWER AND CRUSH RESISTANCE (WHEN THRU-BOLTING IS EMPLOYED). CONSTRUCTION TECHNIQUES SHOULD REFLECT INDUSTRY BEST PRACTICES (I.E. WDMA, SDI) AND AUTHORIZED METHODS WHERE LABEL SERVICE (I.E. UL, W-H) IS IN EFFECT.
 - WIRE RACEWAY AREAS SHALL BE FREE OF OBSTRUCTIONS & SHARP EDGES TO PROTECT WIRES FROM CUTS & ABRASIONS.
 - CAREFULLY NOTE WHICH FEATURES ARE OPTIONAL, (WHETHER THE FEATURE APPLIES TO BOTH SIDES OF THE DOOR AND/OR IF A DEPTH APPLIES.)
 - MAXIMUM PRODUCT DIMENSIONS ARE SHOWN FOR THE PURPOSE OF VERIFYING FITMENT WITH DOOR FRAME STOPS, DOOR STILE SIZE & LIGHT/LOUVER KITS.
 - IF OPTIONAL LEVERS OR ROSES ARE USED REFERENCE THE RELATED PRODUCT DIMENSIONS TO VERIFY THE FITMENT REQUIREMENTS.

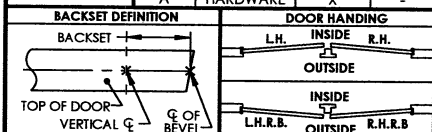


OUTSIDE L.H. TRIM SHOWN

INSIDE L.H. TRIM SHOWN

AUTHORIZED PREFIXES
P2

OPTIONS TABLE			
OPTION	DESCRIPTION	USED FOR PREFIXES	
		91- (HARD POWER)	ALL OTHERS
A	HARDWARE	X	-



SARGENT Sargent Manufacturing Company
100 Sargent Drive New Haven, CT 06511

APPARATUS DOOR MANUFACTURERS TEMPLATE: P2 PASSPORT 1000 TRIM "W/O DPS" WOOD DOOR 10 LINE BORED LOCK

RELEASE DATE: 03-NOV-10
TEMPLATE NO. 4691 A

SHEET 2 OF 2