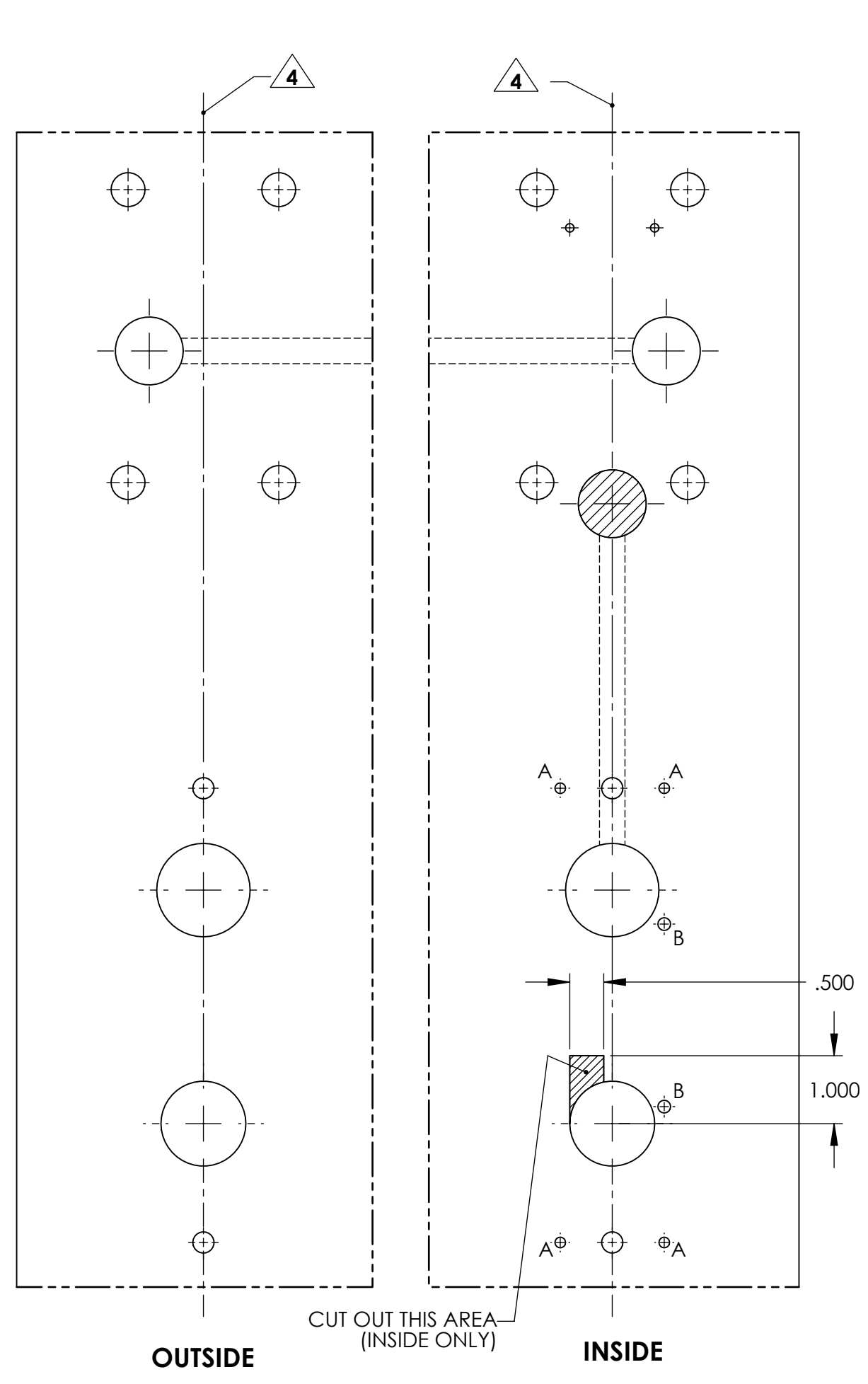
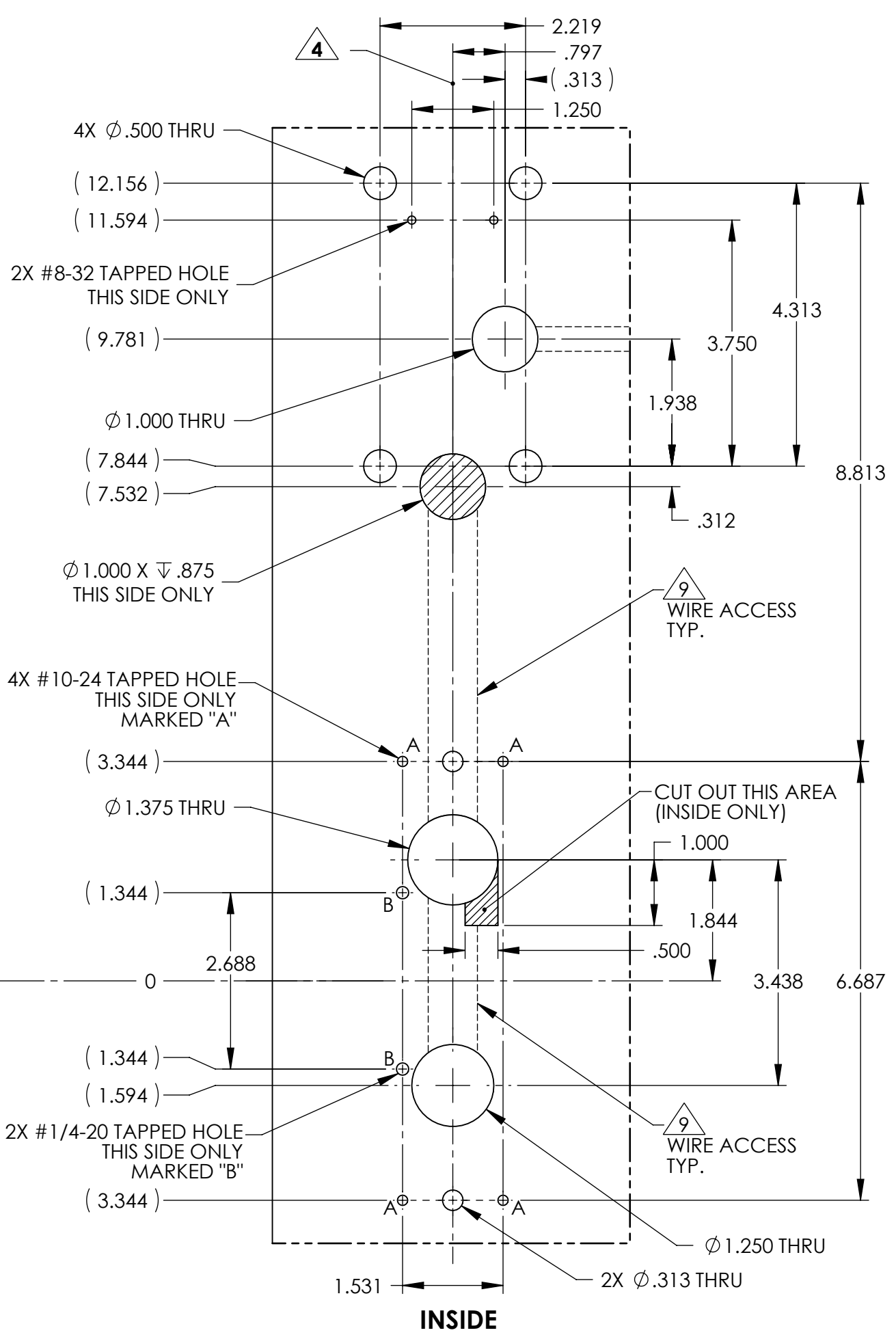
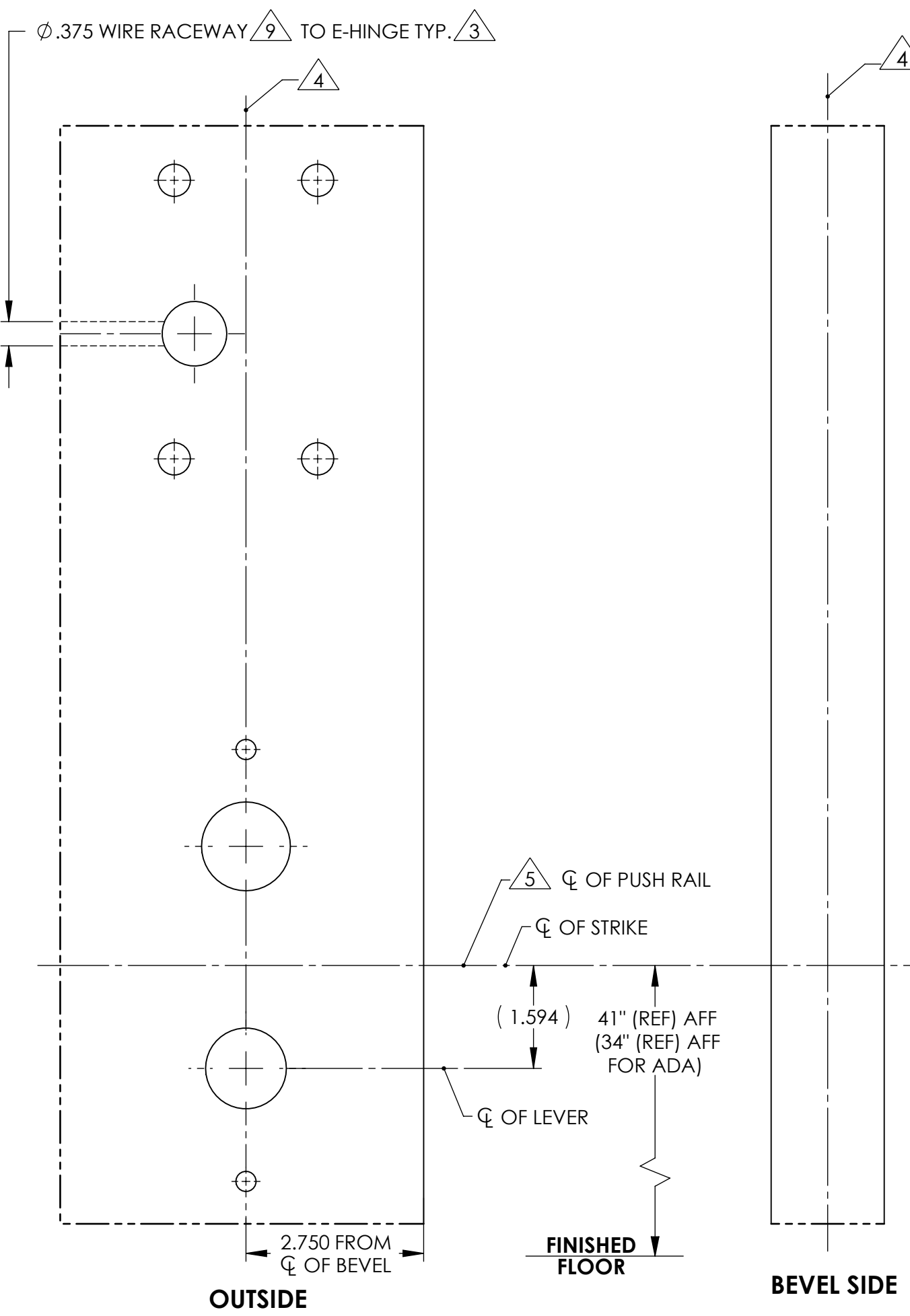


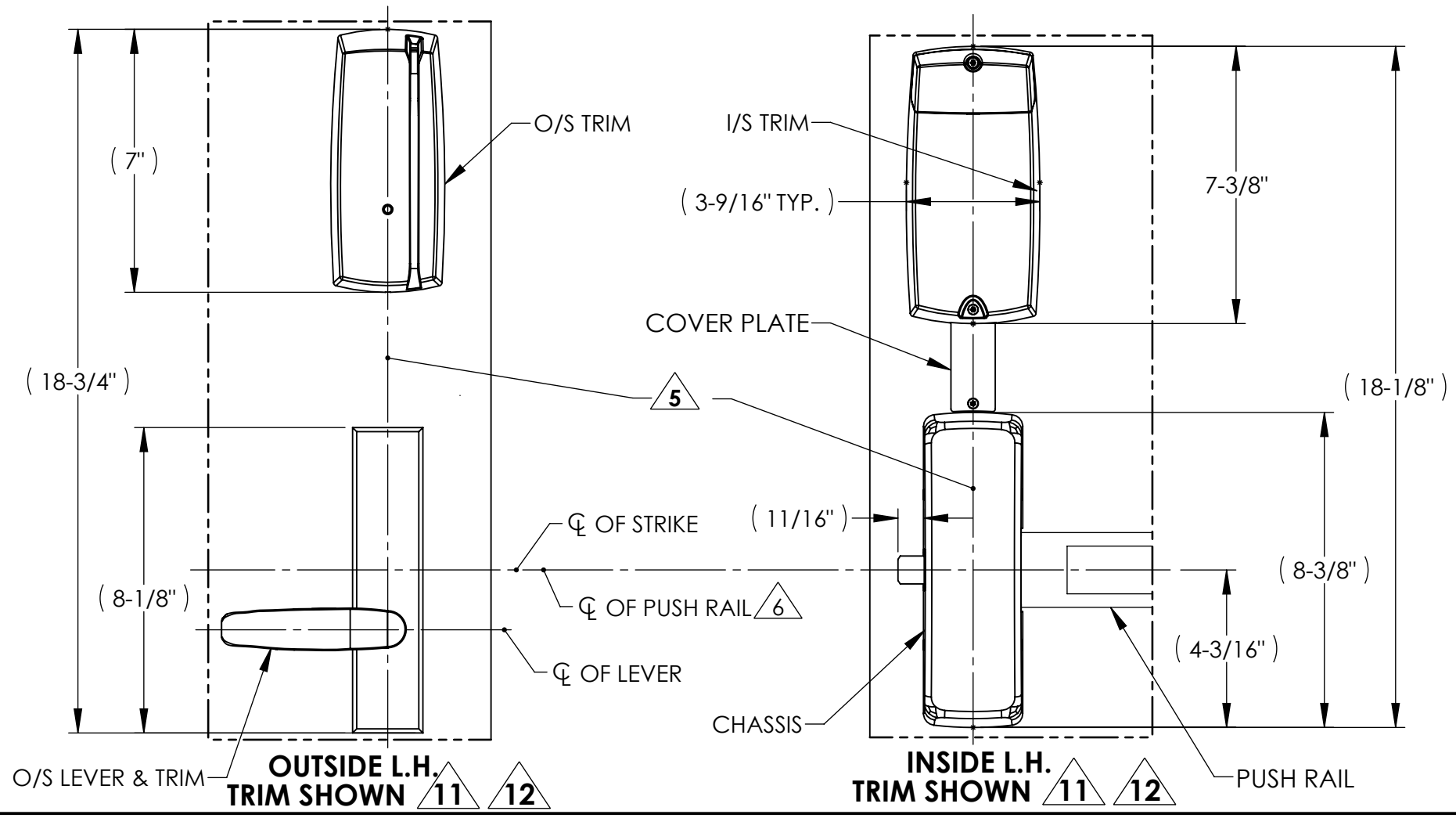
# METAL DOOR



L.H.R.B. DOOR

R.H.R.B. DOOR

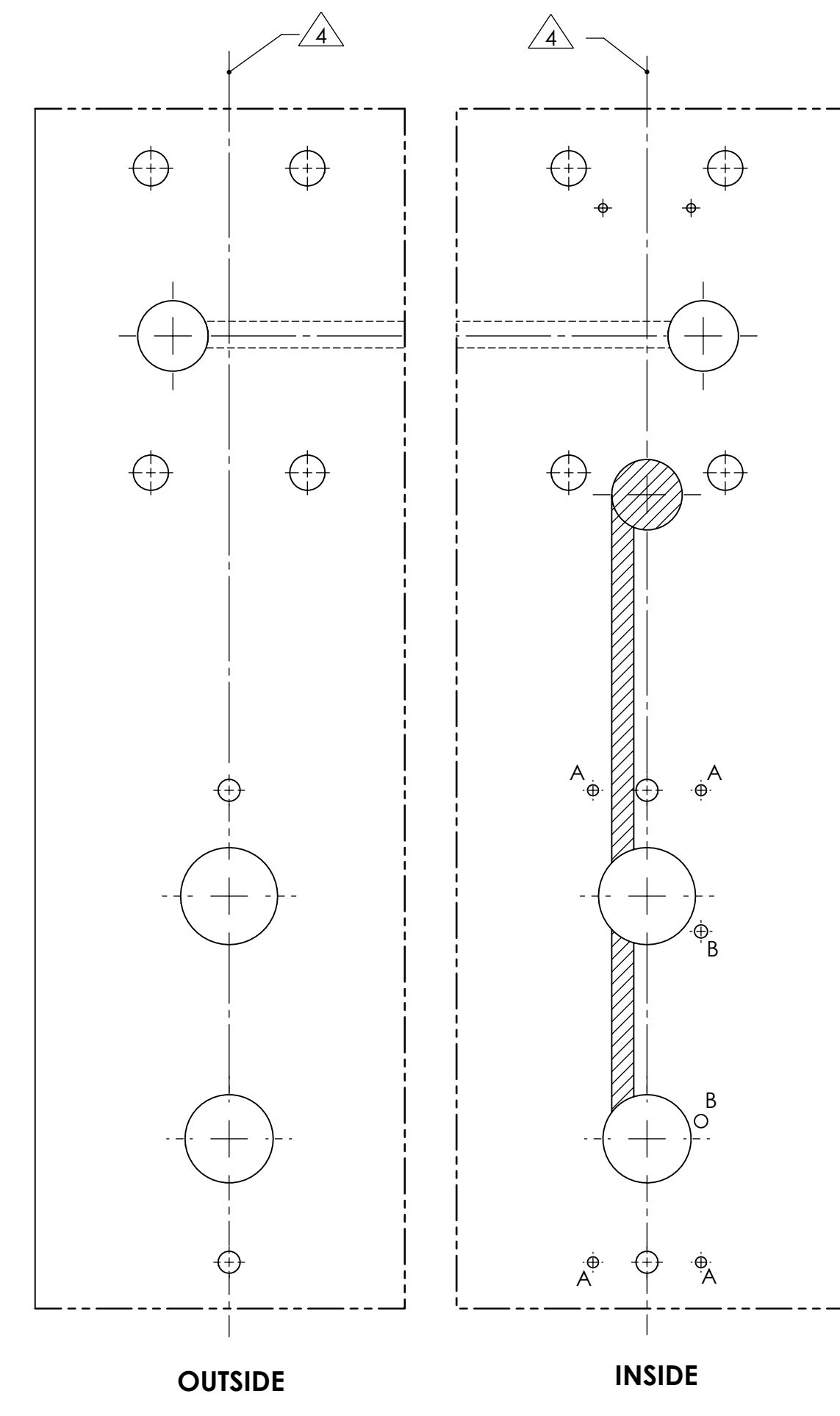
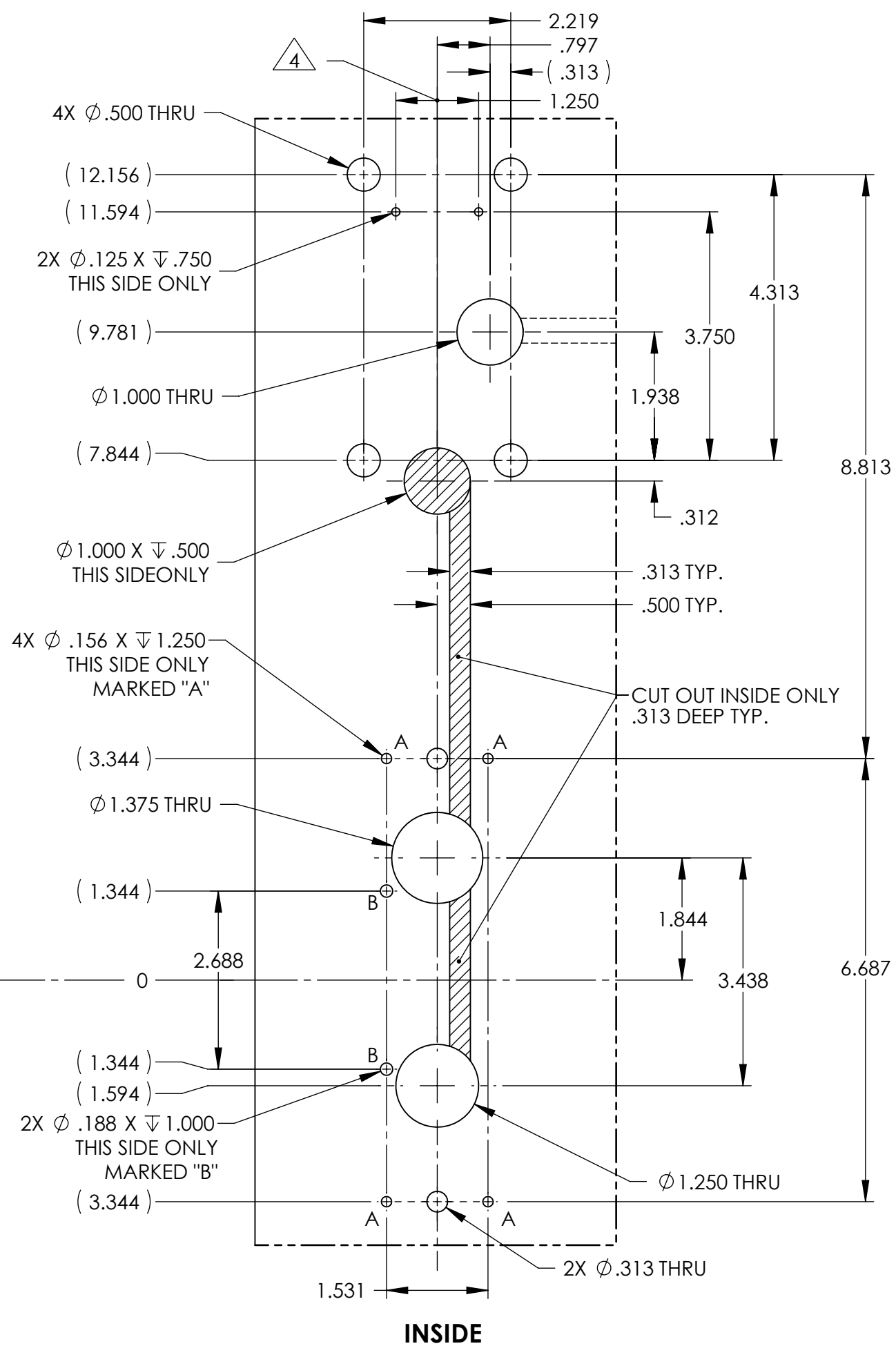
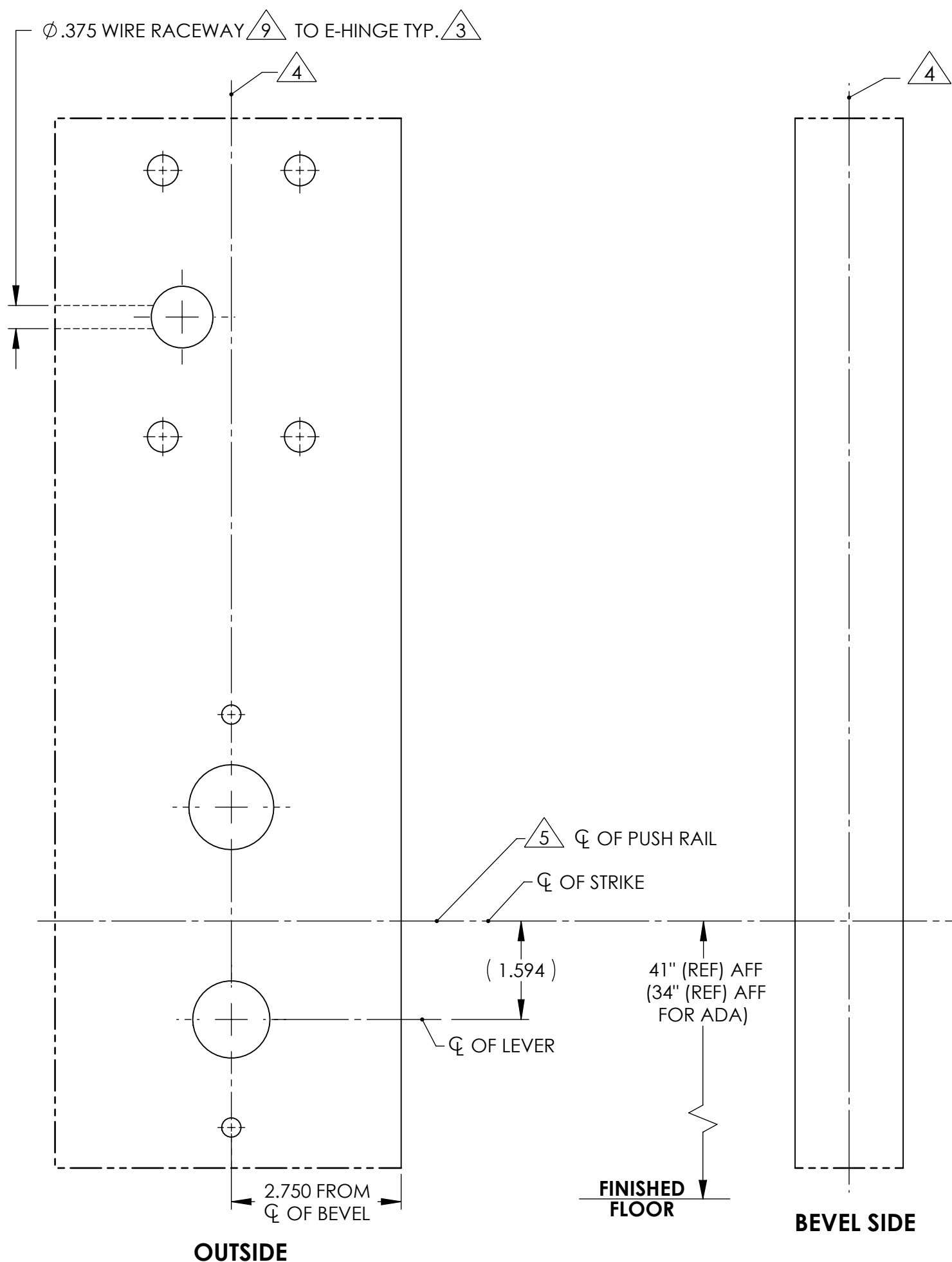
- NOTES:
- DRAWING IS NOT TO SCALE.
  - REFERENCE STRIKE TEMPLATE FOR DETAILS TO PREPARE FRAME.
  - FOR ELECTROLYNX APPLICATIONS, REFER TO MCKINNEY TRANSFER DEVICE CATALOG.
  - VERTICAL CENTERLINE IS REFERENCED FROM THE CENTERLINE OF THE BEVEL. (INDUSTRY STANDARD BEVEL IS 1/8 INCH IN 2 INCHES.)
  - CONSULT THE AUTHORITY HAVING JURISDICTION (AHJ) TO VERIFY THE RECOMMENDED MOUNTING HEIGHT ABOVE THE FINISHED FLOOR (AFF). LIMITATIONS IN THE DOOR CONSTRUCTION PROCESS MAY REQUIRE SOME HOLES TO BE FIELD-LOCATED USING THE PHYSICAL PART AS A TEMPLATE.
  - STANDARD TOLERANCE OF  $\pm$ .015 APPLIES TO ALL DOOR PREPARATION REQUIREMENTS, UNLESS OTHERWISE SPECIFIED.
  - DOOR REINFORCEMENT IS RECOMMENDED TO IMPROVE (SURFACE MOUNTED) FASTENER HOLDING POWER AND CRUSH RESISTANCE (WHEN THRU-BOLTING IS EMPLOYED). CONSTRUCTION TECHNIQUES SHOULD REFLECT INDUSTRY BEST PRACTICES (I.E. WDMA, SDI) AND AUTHORIZED METHODS WHERE LABEL SERVICE (I.E. UL, W-H) IS IN EFFECT.
  - WIRE RACEWAY AREAS SHALL BE FREE OF OBSTRUCTIONS & SHARP EDGES TO PROTECT WIRES FROM CUTS & ABRASIONS.
  - CAREFULLY NOTE WHICH FEATURES ARE OPTIONAL. (WHETHER THE FEATURE APPLIES TO BOTH SIDES OF THE DOOR AND/OR IF A DEPTH APPLIES.)
  - MAXIMUM PRODUCT DIMENSIONS ARE SHOWN FOR THE PURPOSE OF VERIFYING FITMENT WITH DOOR FRAME STOPS, DOOR STILE SIZE & LIGHT/LOUVER KITS.
  - IF OPTIONAL LEVERS OR ROSES ARE USED REFERENCE THE RELATED PRODUCT DIMENSIONS TO VERIFY THE FITMENT REQUIREMENTS.



**AUTHORIZED PREFIXES**  
P1

BACKSET DEFINITION	DOOR HANDING
<b>SARGENT</b> <b>ASSA ABLOY</b> DOOR MANUFACTURERS TEMPLATE: P1 PASSPORT 1000 TRIM "W/OUT DPS" METAL DOOR 8800 RIM DEVICE	Sargent Manufacturing Company 100 Sargent Drive New Haven, CT 06511 RELEASE DATE OCT 21, 2010 TEMPLATE NO. 4659 B
SHEET 1 OF 2	

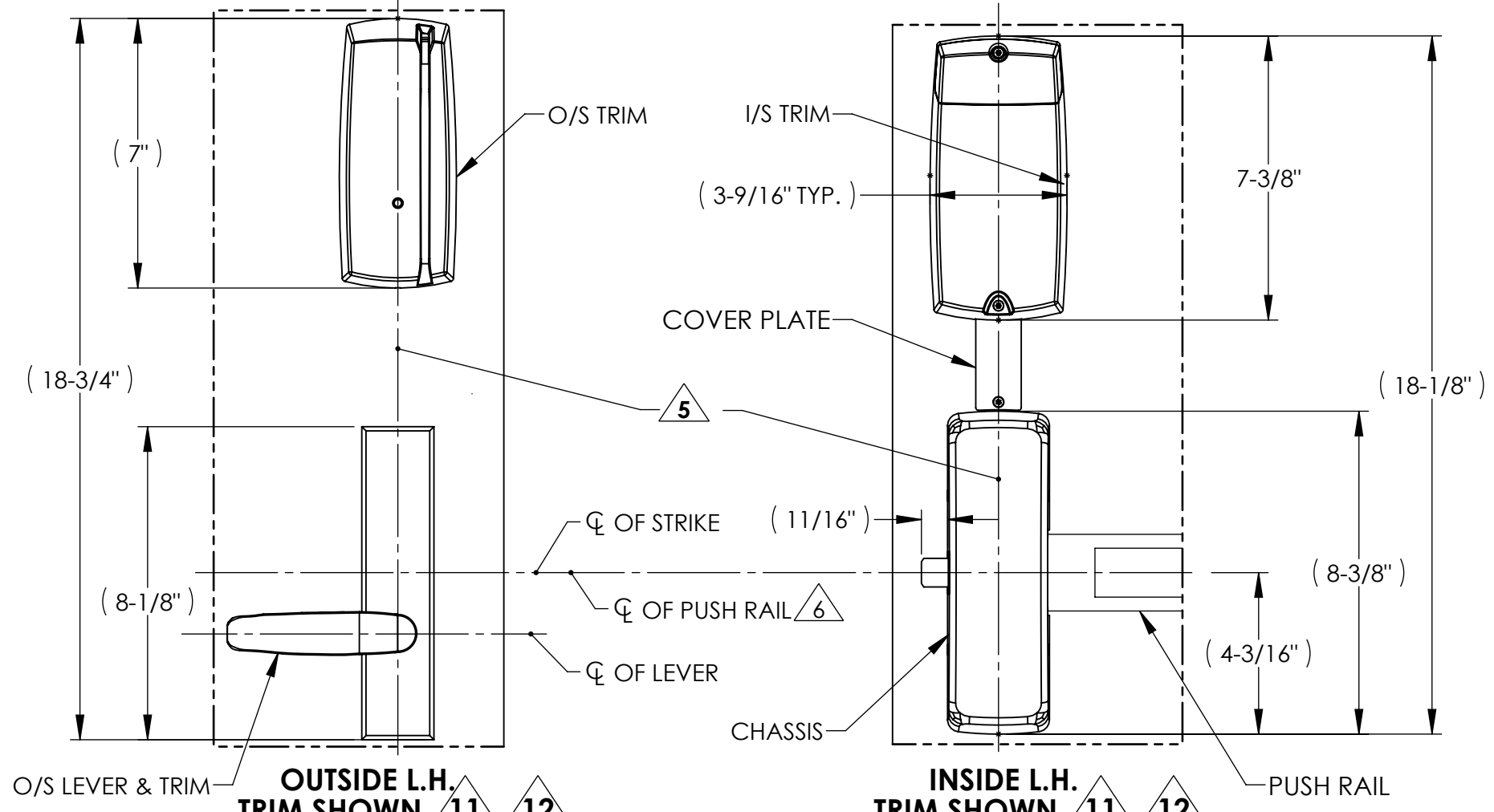
# WOOD DOOR



## L.H.R.B. DOOR

## R.H.R.B. DOOR

- NOTES:
- DRAWING IS NOT TO SCALE.
  - REFERENCE STRIKE TEMPLATE FOR DETAILS TO PREPARE FRAME.
  - FOR ELECTROLYNX APPLICATIONS, REFER TO MCKINNEY TRANSFER DEVICE CATALOG.
  - VERTICAL CENTERLINE IS REFERENCED FROM THE CENTERLINE OF THE BEVEL. (INDUSTRY STANDARD BEVEL IS 1/8 INCH IN 2 INCHES.)
  - CONSULT THE AUTHORITY HAVING JURISDICTION (AHJ) TO VERIFY THE RECOMMENDED MOUNTING HEIGHT ABOVE THE FINISHED FLOOR (AFF). LIMITATIONS IN THE DOOR CONSTRUCTION PROCESS MAY REQUIRE SOME HOLES TO BE FIELD-LOCATED USING THE PHYSICAL PART AS A TEMPLATE.
  - STANDARD TOLERANCE OF  $\pm .015$  APPLIES TO ALL DOOR PREPARATION REQUIREMENTS, UNLESS OTHERWISE SPECIFIED.
  - DOOR REINFORCEMENT IS RECOMMENDED TO IMPROVE (SURFACE MOUNTED) FASTENER HOLDING POWER AND CRUSH RESISTANCE (WHEN THRU-BOLTING IS EMPLOYED). CONSTRUCTION TECHNIQUES SHOULD REFLECT INDUSTRY BEST PRACTICES (I.E. WDMA, SDI) AND AUTHORIZED METHODS WHERE LABEL SERVICE (I.E. UL, W-H) IS IN EFFECT.
  - WIRE RACEWAY AREAS SHALL BE FREE OF OBSTRUCTIONS & SHARP EDGES TO PROTECT WIRES FROM CUTS & ABRASIONS.
  - CAREFULLY NOTE WHICH FEATURES ARE OPTIONAL, (WHETHER THE FEATURE APPLIES TO BOTH SIDES OF THE DOOR AND/OR IF A DEPTH APPLIES.)
  - MAXIMUM PRODUCT DIMENSIONS ARE SHOWN FOR THE PURPOSE OF VERIFYING FITMENT WITH DOOR FRAME STOPS, DOOR STILE SIZE & LIGHT/LOUVER KITS.
  - IF OPTIONAL LEVERS OR ROSES ARE USED REFERENCE THE RELATED PRODUCT DIMENSIONS TO VERIFY THE FITMENT REQUIREMENTS.



**AUTHORIZED PREFIXES**  
P1

BACKSET DEFINITION	DOOR HANDING
BACKSET	L.H. INSIDE R.H.
	OUTSIDE
	INSIDE
	L.H.R.B. OUTSIDE R.H.R.B.

**SARGENT** Sargent Manufacturing Company  
 100 Sargent Drive New Haven, CT 06511  
**ASSA ABLOY**  
 DOOR MANUFACTURERS TEMPLATE: P1 PASSPORT 1000 TRIM "W/OUT DPS"  
 WOOD DOOR  
 8800 RIM DEVICE  
 SHEET 2 OF 2  
 RELEASE DATE: OCT 21, 2010  
 TEMPLATE NO.: 4659 B