

80 SERIES PARTS LIST

8504 8510 8513
8515 8540 8543
8544 8573 8574
GUARDED

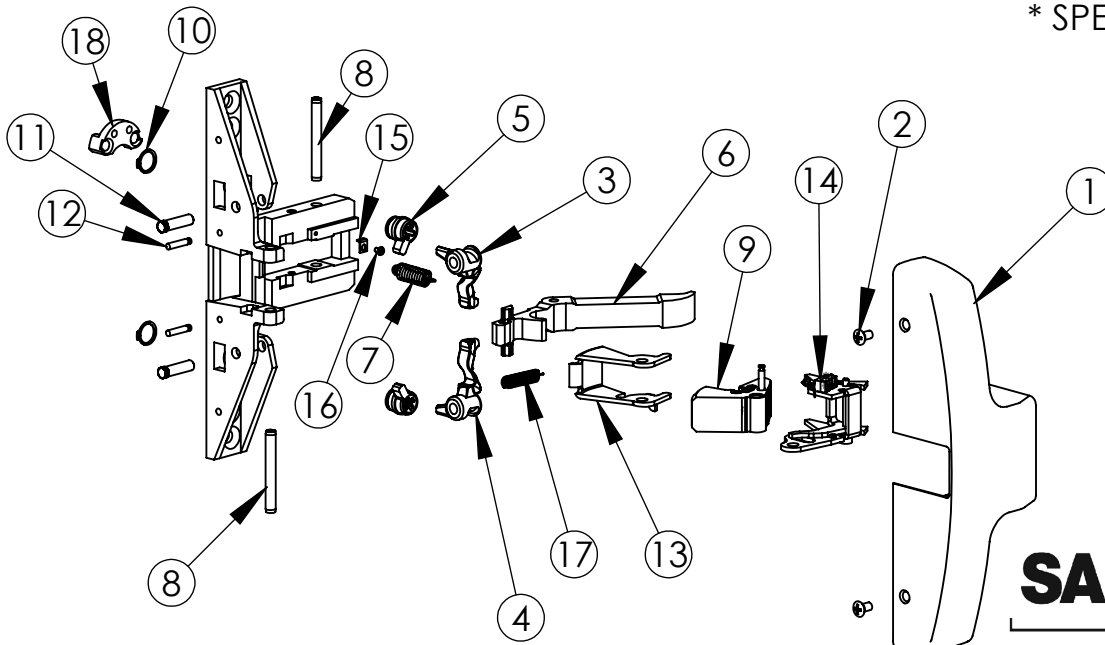
MANUFACTURED
AFTER 12-07-09

PARTS LIST

PAGE REV.
No. REV.
85.4 A

ITEM No.	ASSY No.	PART No.	DESCRIPTION	QTY
1		68-1020	COVER *	1
2		97-0052	SCREW #8-32 x 5/16 *	2
3		68-1625	LIFT LEVER RHRB	1
4		68-1626	LIFT LEVER LHRB	1
5		94-0088	CYLINDER HUB	2
6		68-1353	LIFT ARM (guarded)	1
7		98-0028	LATCH BOLT SPRING	1
8		01-4512	SPIROL PIN	2
9	68-5881 (AL-/GL-)	68-4415	GUARDED LATCH BOLT	1
10		01-0005	RETAINING RING	2
11	68-5882 (53-/59-)	68-0479	LIFT LEVER PIVOT PIN	2
12		01-0008	GROOV PIN	2
13		68-1352	GUIDE	1
14		68-5947	GUARD BRACKET (USE FOR 68-5881 ONLY)	1
		68-5949	GUARD BRACKET & SWITCH ASSEMBLY (USE FOR 68-5882 ONLY)	
15		52-0310	CABLE CLAMP	1
16		01-1482	CR-PHMS #2-56x0.125	1
17		68-1394	EXTENSION SPRING	1
18		13-0458	CYLINDER RETAINER PACK 04 & 44 FUNCTIONS ONLY	1
		657	STRIKE PACK	
		68-2512	SCREW PACK	

* SPECIFY FINISH



© SARGENT Manufacturing Company. All Rights reserved.

SARGENT®
ASSA ABLOY