

INSTALLATION INSTRUCTIONS

697, 698, 699 Series Concealed Overhead Holders & Stops

FOR INSTALLATION ASSISTANCE CALL SARGENT AT 1-800-727-5477 • www.sargentlock.com

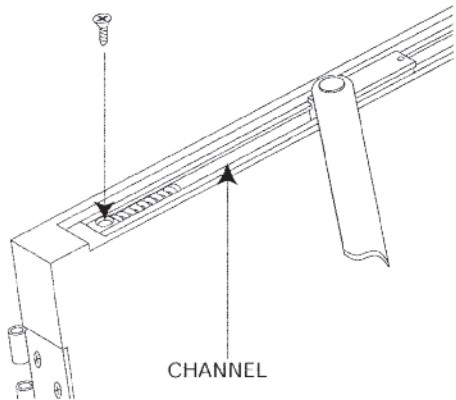
SARGENT®

ASSA ABLOY

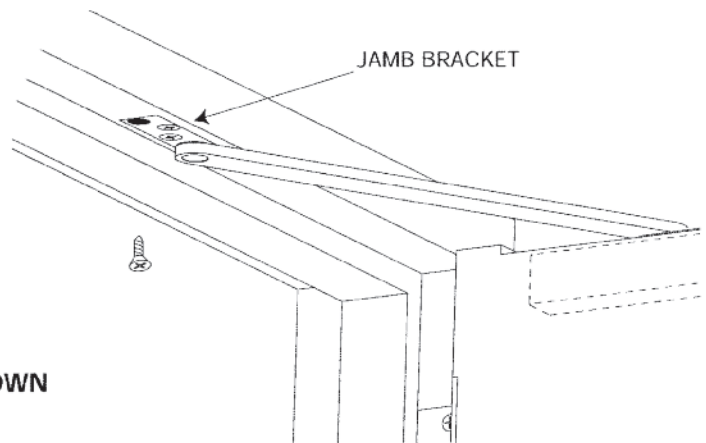
- 1**
- Use the attached template that corresponds with the type of hinge being used
 - **Drill and tap** prepared metal door for channel and frame for jamb bracket, fasten with **1/4-20** machine screws provided.

NON-HANDED, LEFT HAND SHOWN,
RIGHT HAND OPPOSITE

- 2**
- **Install channel** into door (spring end towards hinge)
 - **Secure channel** with fasteners provided
 - **Secure jamb** bracket to frame with fasteners provided

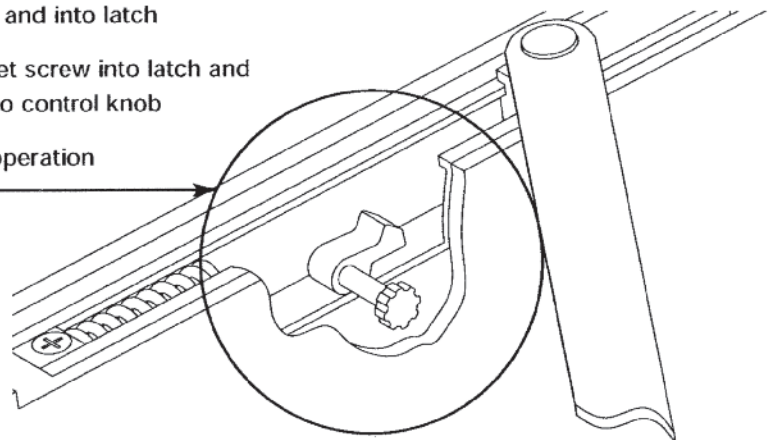
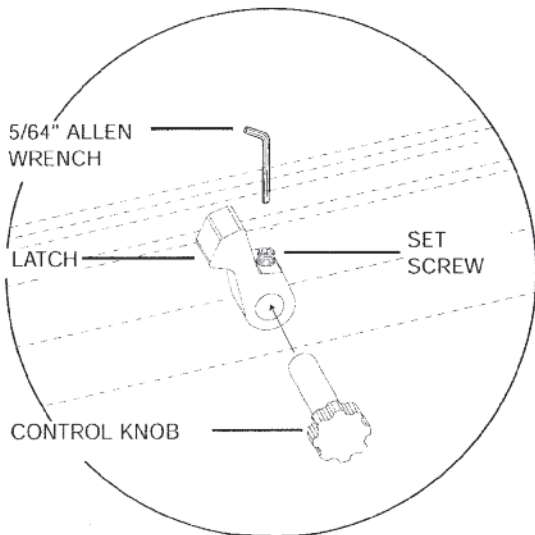


LEFT HAND SHOWN



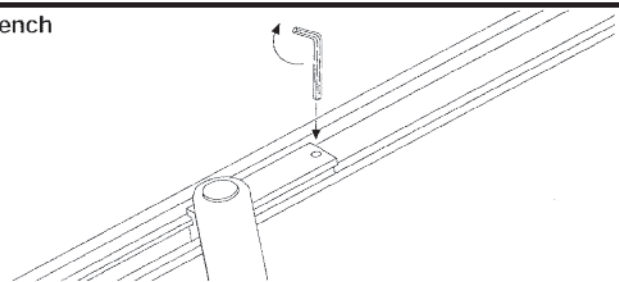
- 3** Install latch and control knob for hold open models (697H, 698H, 699H)

- Place latch into channel
- Insert control knob thru holes in door, channel and into latch
- Install set screw into latch and secure to control knob
- Check operation



- 4** Holding Tension adjustment is easily made with a 1/8" Allen wrench

- To increase tension insert wrench as shown and turn clockwise 1/4 turn for desired tension
- To activate hold open feature rotate control knob with door slightly open
- Check operation



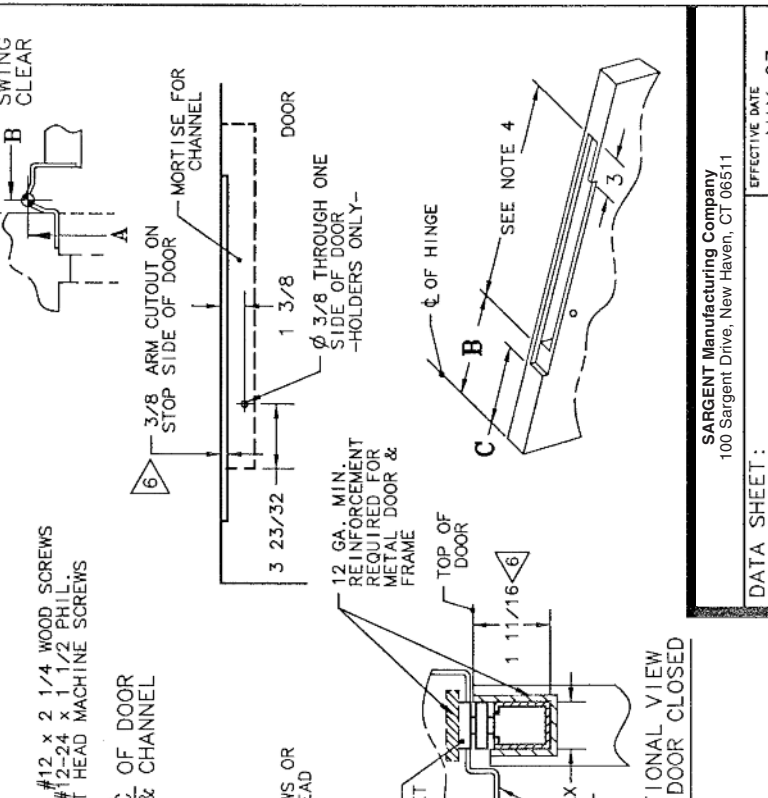
Copyright © 2009, Sargent Manufacturing Company, an ASSA ABLOY Group company. All rights reserved. Reproduction in whole or in part without the express written permission of Sargent Manufacturing Company is prohibited.

SARGENT

ASSA ABLOY

ASSA ABLOY, the global leader
in door opening solutions

MODEL NO.	OVERALL DOOR WIDTH	DEGREE OF OPENING AT HOLD OPEN OR STOP (FOR DEAD STOP SEE NOTE 2)												HINGE TYPE			DOOR THICKNESS									
		85°			90°			95°			100°			105°				110°								
		A	B	C	A	B	C	A	B	C	A	B	C	A	B	C		A	B	C						
697H & 697S	24 - 32 1/2	7 5/8	4 1/8	1 1/4	7 1/4	4	3 1/4	4 1/4	1 1/2	6 1/2	1 1/2	3 1/2	4	6 1/4	1 1/4	2	6	3 3/4	1	3 3/4	18 1/4	BUTT HINGE	4 - 4 1/2	1 3/8 - 2 1/4		
698H & 698S	32 5/8 - 39 1/8	7	8 1/8	8	5 1/8	8 1/8	1 1/8	7 1/8	1 1/8	8 1/8	8	6 1/4	3 3/4	7 1/8	5 1/4	1 1/2	7 1/2	5	6 1/4	1 1/4	7 1/8	19 1/8	OFFSET PIVOT	5 - 3 1/4	1 3/4 - 2 1/4	
699H & 699S	39 1/4 AND OVER	3 1/4	10 1/4	10 3/4	1 1/8	10 1/8	1 3/8	10 1/8	1 1/8	12 1/4	10 1/8	5 1/8	9 1/8	9	11 1/4	3 3/4	8 1/2	1 1/4	8 1/8	7 1/2	1 1/8	7 1/8	21 1/8	SWING CLEAR HINGE	3 - 5 1/8	1 3/4 - 2



- NOTES:
1. DIMENSIONS GIVEN ARE FOR THE HOLD OPEN POSITION. DEAD STOP OCCURS 5'-9" AFTER HOLD OPEN.
 2. FOR DEAD STOP TEMPLATING, ADD 3/8 TO DIM. A AND 3/8 TO DIM B.
 3. LEFT HAND DOOR SHOWN, RIGHT HAND OPPOSITE.
 4. PROVIDE 1/16 OF CLEARANCE ON EACH END OF CHANNEL.
 5. FOR CONTINUOUS HINGES, USE SIMILAR BUTT HINGE VALUES.
6. MORTISE MAY BE REDUCED TO 1 5/8 & ARM CUTOUT TO 5/16 FOR SPECIAL APPLICATIONS

SARGENT Manufacturing Company
100 Sargent Drive, New Haven, CT 06511

DATA SHEET:
697-699 SERIES DOOR
HOLDERS AND STOPS
- MOUNTING GROUP 1 -

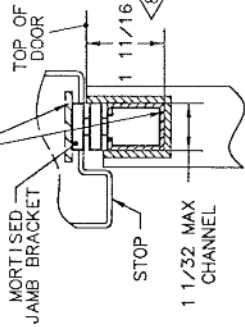
EFFECTIVE DATE
MAY 03

TEMPLATE NO.
A7482 E

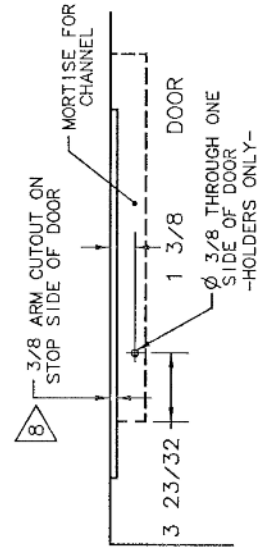
DEGREE OF OPENING AT HOLD OPEN OR STOP (FOR DEAD STOP SEE NOTE 2)

MODEL NO.	OVERALL DOOR WIDTH	85°			90°			95°			100°			105°			110°			D
		A	B	C	A	B	C	A	B	C	A	B	C	A	B	C	A	B	C	
697H & 697S	26 3/4 - 32 1/2	8	1 5/8	6	7 5/8	4 3/4	3 3/8	7 1/4	4 3/8	5	7	4 1/8	1 1/4	6 3/4	4	1 1/2	6 1/2	5 3/8	3 1/2	18 3/4
698H & 698S	32 5/8 - 39 1/8	9 1/8	1 9/4	1 1/8	8 5/8	8 3/4	3 3/8	8 1/4	8 3/8	1 1/4	7 7/8	8	7 7/8	7 1/2	5 7/8	7 1/4	7 1/4	1 7/4	3 6/4	7 19/8
699H & 699S	39 1/4 AND OVER	11 1/8	1 13/8	1 1/8	10 5/8	13 1/8	5 1/2	10 5/8	12 1/2	10	1 1/2	12	9 1/2	1 9/8	5 11/8	9 1/8	3 11/4	1 11/4	3 8/4	7 21/8

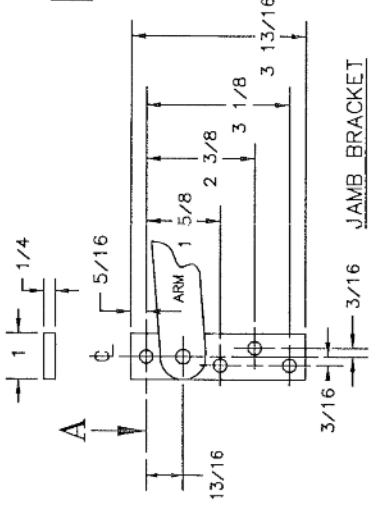
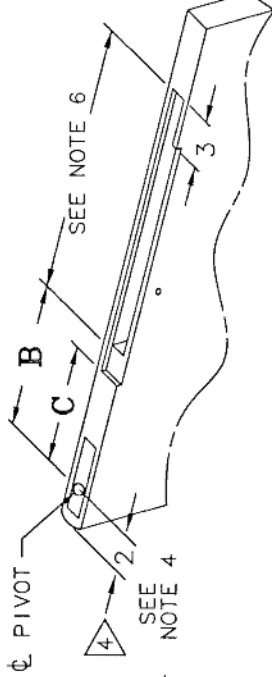
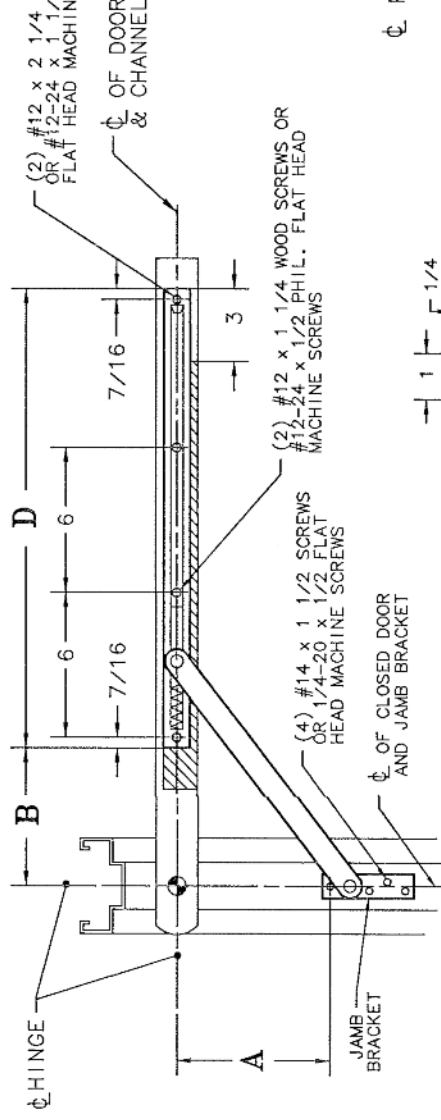
12 GA. MIN. REINFORCEMENT REQUIRED FOR METAL DOOR & FRAME



SECTIONAL VIEW WITH DOOR CLOSED



(2) #12 x 2 1/4 WOOD SCREWS OR #12-24 x 1 1/2 PHIL. FLAT HEAD MACHINE SCREWS



- NOTES:
1. DIMENSIONS GIVEN ARE FOR THE HOLD OPEN POSITION. DEAD STOP OCCURS 5°-9° AFTER HOLD OPEN.
 2. FOR DEAD STOP TEMPLATING, ADD 3/8 TO DIM. A AND 3/8 TO DIM B.
 3. LEFT HAND DOOR SHOWN, RIGHT HAND OPPOSITE.
 4. DOOR WIDTHS WERE BASED ON A 2" BACKSET.
 5. FOR DOUBLE ACTING DOORS, THE ARM CUT OUT MUST BE MADE ON BOTH SIDES OF DOOR.
 6. PROVIDE 1/16 OF CLEARANCE ON EACH END OF CHANNEL.
 7. FOR CONTINUOUS HINGES, USE SIMILAR BUTT HINGE VALUES.
 8. MORTISE MAY BE REDUCED TO 1 5/8" & ARM CUTOUT TO 5/16" FOR SPECIAL APPLICATIONS.

SARGENT Manufacturing Company
100 Sargent Drive, New Haven, CT 06511

DATA SHEET: 697-699 SERIES
DOOR HOLDERS & STOPS
WITH CENTER HUNG PIVOTS

EFFECTIVE DATE: MAY 03
TEMPLATE NO.: A7484 E

SARGENT
ASSA ABLOY

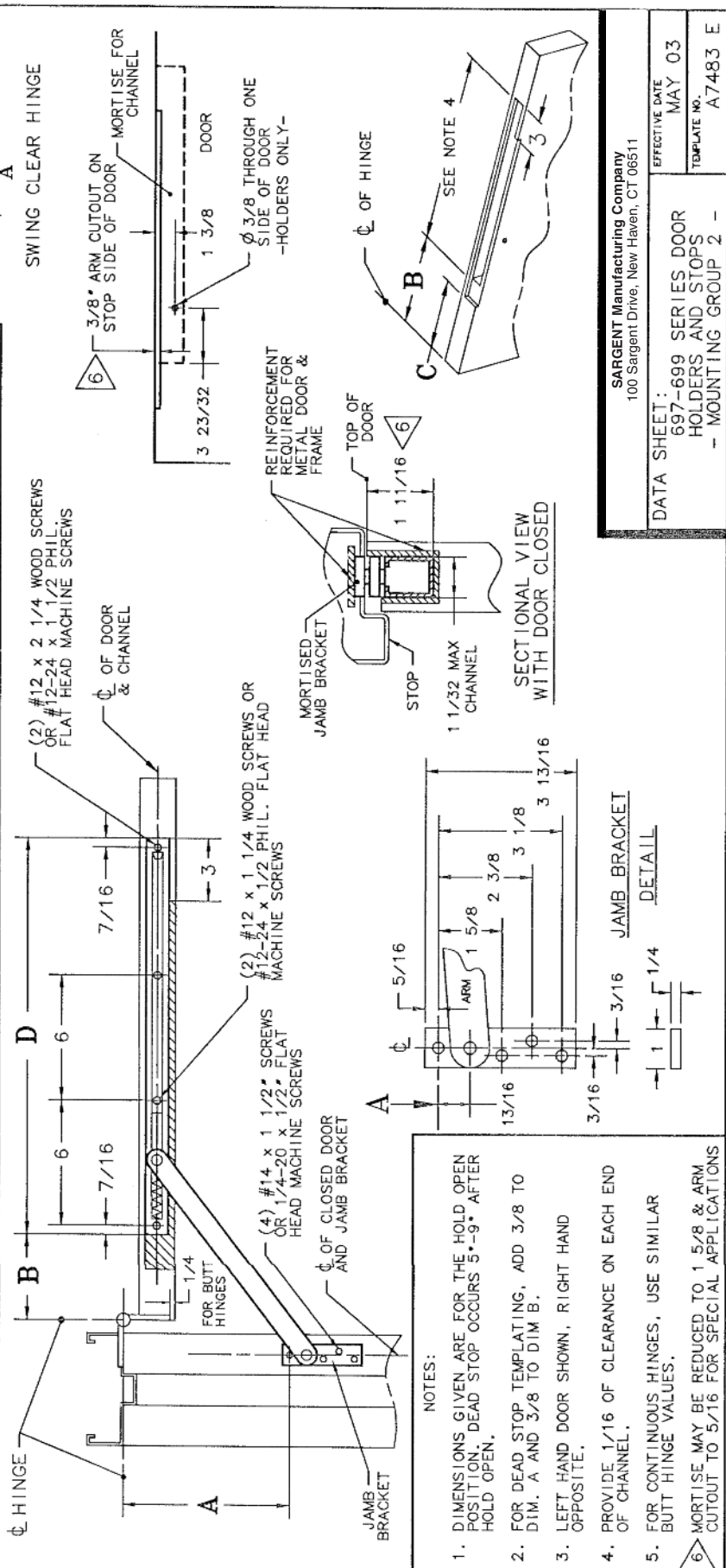
ASSA ABLOY, the global leader
in door opening solutions

SARGENT

ASSA ABLOY

ASSA ABLOY, the global leader
in door opening solutions

MODEL NO.	OVERALL DOOR WIDTH	DEGREE OF OPENING AT HOLD OPEN OR STOP (FOR DEAD STOP SEE NOTE 2)												690 MOUNTING GROUP 2							
		85°			90°			95°			100°			105°			110°			D	
		A	B	C	A	B	C	A	B	C	A	B	C	A	B	C	A	B	C		
697H & 697S	24" - 32 1/2"	7 5/8	3 3/4	3 3/4	7 7/8	3 3/4	3 3/4	7 3/8	3 3/8	3 3/4	7 1/2	3 1/2	3 3/4	6 1/4	3 7/8	1 1/4	6	3 5/8	3 3/4	3 3/4	18 3/4
698H & 698S	32 5/8" - 39 1/8"	7 7/8	3 3/4	3 3/4	7 7/8	3 3/4	3 3/4	7 7/8	3 3/4	3 3/4	7 7/8	3 3/4	3 3/4	7 7/8	3 3/4	3 3/4	7 7/8	3 3/4	3 3/4	7 7/8	3 3/4
699H & 699S	39 1/4" AND OVER	10 3/8	3 3/8	3 3/8	10 3/8	3 3/8	3 3/8	10 3/8	3 3/8	3 3/8	10 3/8	3 3/8	3 3/8	10 3/8	3 3/8	3 3/8	10 3/8	3 3/8	3 3/8	10 3/8	3 3/8



SARGENT Manufacturing Company 100 Sargent Drive, New Haven, CT 06511	
DATA SHEET:	EFFECTIVE DATE
697-699 SERIES DOOR HOLDERS AND STOPS	MAY 03
- MOUNTING GROUP 2 -	TEMPLATE NO. A7483 E