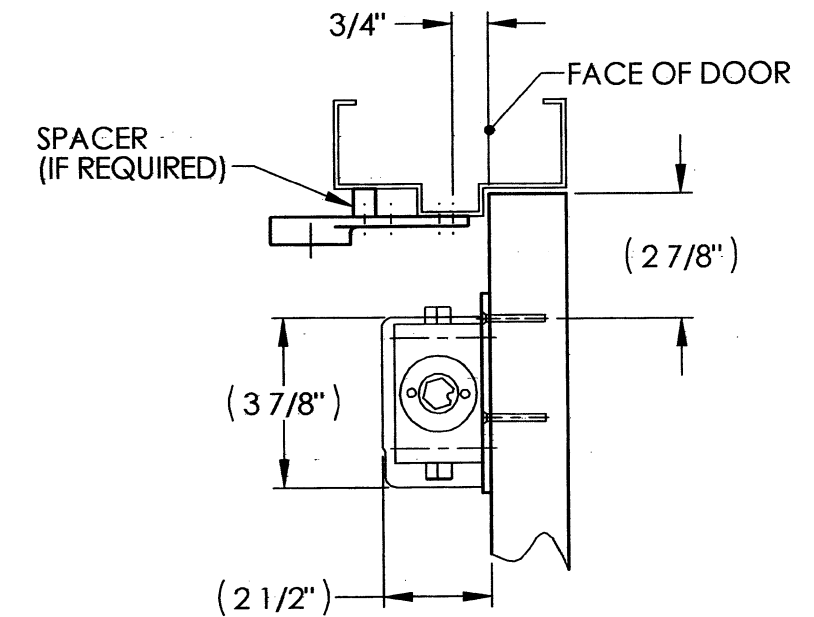


P10/PH10 FOOT BRACKET



**NOTES**

1. USE THIS TEMPLATE TO RETROFIT A LCN 4040-EDA OR 4040-HEDA WITH A SARGENT 351-P10 OR 351-PH10
2. USE THE EXISTING LCN4040 BODY MOUNTING HOLES IN THE DOOR AND DRILL NEW HOLES FOR THE ARM.
3. THE 351-P10/PH10 WILL EQUAL OR EXCEED THE MAXIMUM DEGREE OF DOOR OPENING OF THE LCN CLOSER BEING REPLACED

**SARGENT** Manufacturing Company  
100 Sargent Drive New Haven, CT 06511

Data Sheet

351-P10 OR PH10 DOOR CLOSER WITH  
A 351L RETROFIT PLATE

RELEASE DATE

APRIL 08

TEMPLATE NO.

A7990 A