

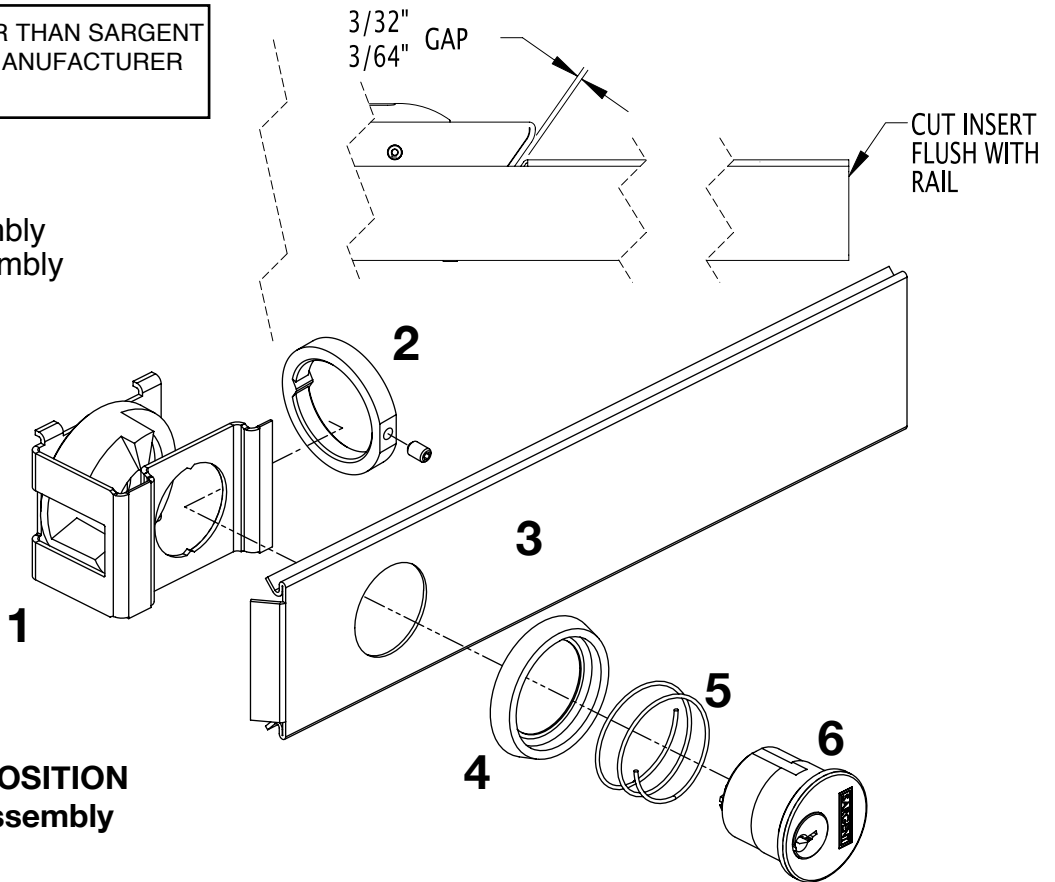
INSTALLATION INSTRUCTIONS FOR 80 AND 30 SERIES EXIT DEVICES 16- PREFIX AND 816 CYLINDER DOGGING KIT

SARGENT
ASSA ABLOY

FOR ASSISTANCE, CONTACT SARGENT AT 800-727-5477 or www.sargentlock.com

CAUTION: IF A CYLINDER OTHER THAN SARGENT IS USED, CONSULT CYLINDER MANUFACTURER FOR PROPER SARGENT CAM.

- 1 Lockdown cam assembly
- 2 Retaining Collar Assembly
- 3 Rail insert
- 4 Collar
- 5 Spring
- 6 Cylinder



**NOTE SPECIFIC CAM POSITION
within lockdown cam assembly**

816 KIT INSTALLATION PROCEDURE:

1. Remove existing insert.
2. Install cylinder as shown.
3. Slide insert with cylinder first into rail assembly.
4. Dog rail with key rotated counterclockwise.
5. Press plug into lockdown button hex.

NOTES:

The 816 kit requires exit devices manufactured before January 1, 1992 to have the rear connecting arm replaced for proper operation.

Once insert is correctly positioned and tested, if the insert extends past the end of the mounting rail, the insert must be cut flush with the end of the mounting rail.

To cut insert:

1. Slide insert into rail completely and test operation.
2. Dog push rail.
3. Cut insert flush with end of mounting rail. NOTE: End of insert and end of mounting rail MUST BE FLUSH FOR SMOOTH OPERATION.

16- CYLINDER INSTALLATION PROCEDURE:

1. Verify that rail is not dogged.
2. Slide insert out of rail assembly.
3. Slide spring & collar over cylinder and through insert, bracket, and retainer collar.
4. Compress all components together and tighten set screw.
5. Slide insert into assembly. NOTE: END OF RAIL AND END OF INSERT MUST BE FLUSH FOR SMOOTH OPERATION.
6. Check operation by turning key counterclockwise to dog rail.
7. Press plug into lockdown button hex.

KIT NUMBER	RAIL SIZE
816-1	"F" WIDE
816-2	"F" NARROW
816-3	"G" WIDE
816-4	"G" NARROW
816-5	"E" WIDE
816-6	"J" NARROW
816-7	"J" WIDE
816-8	"E" NARROW