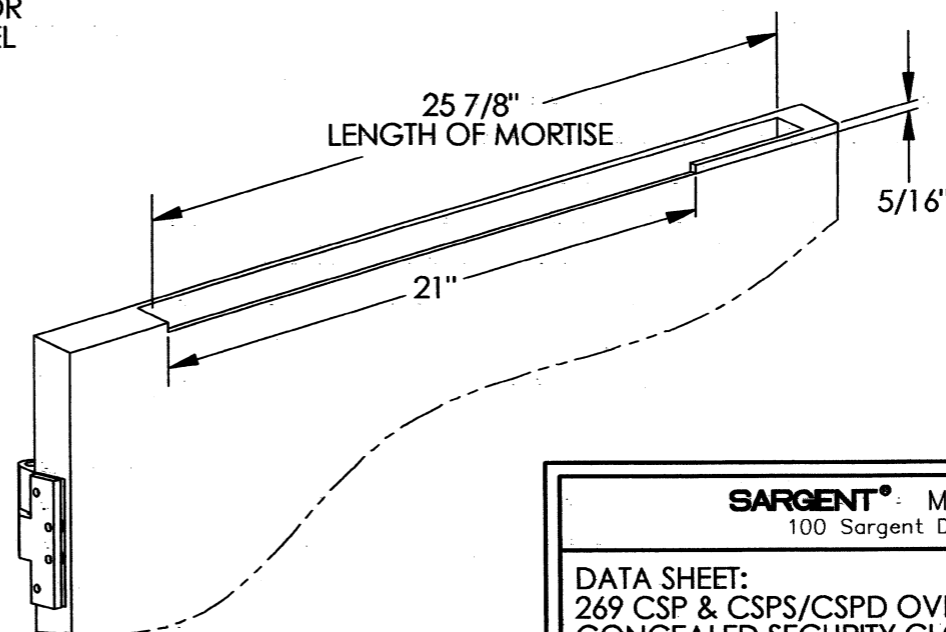
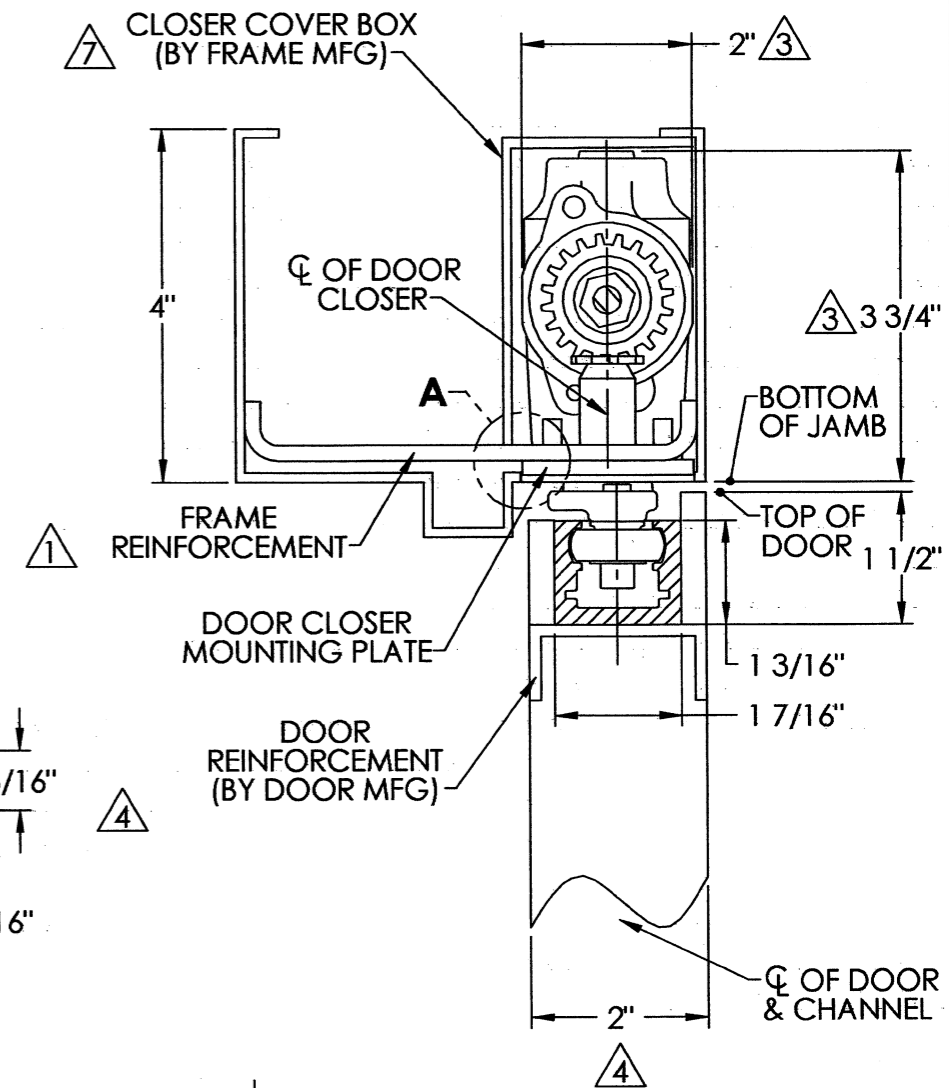
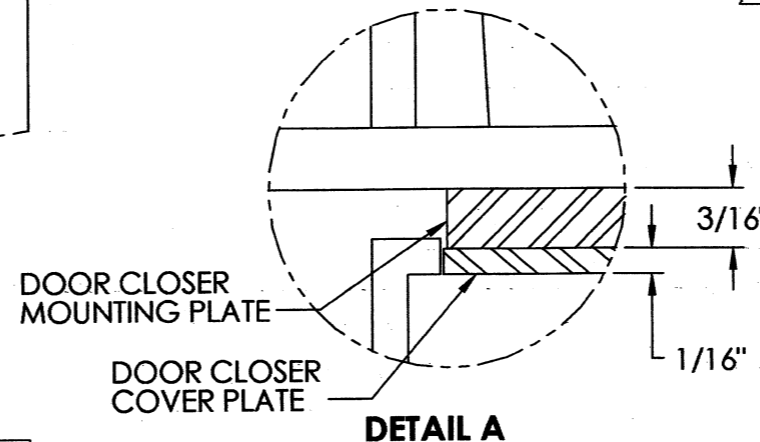
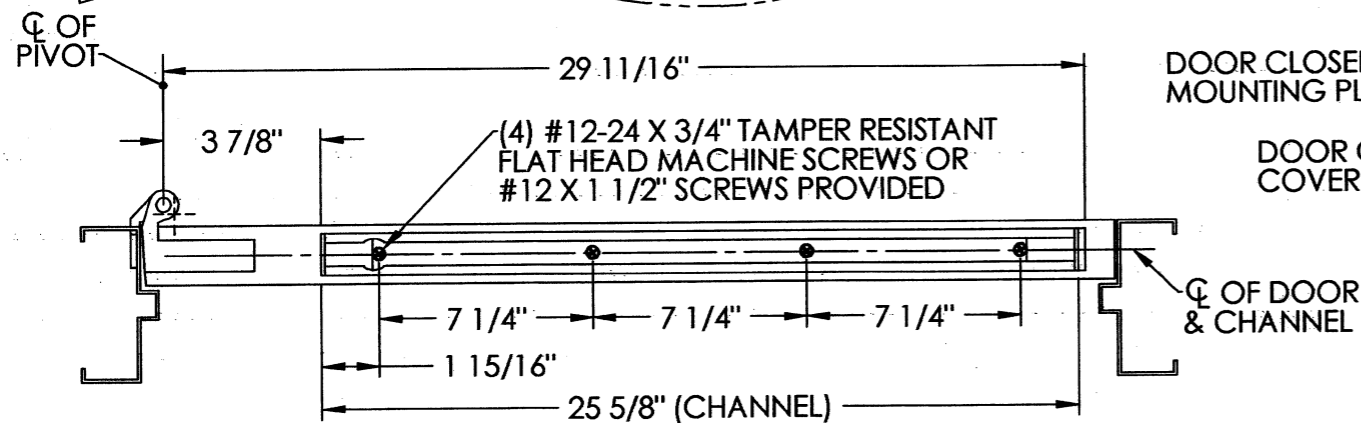
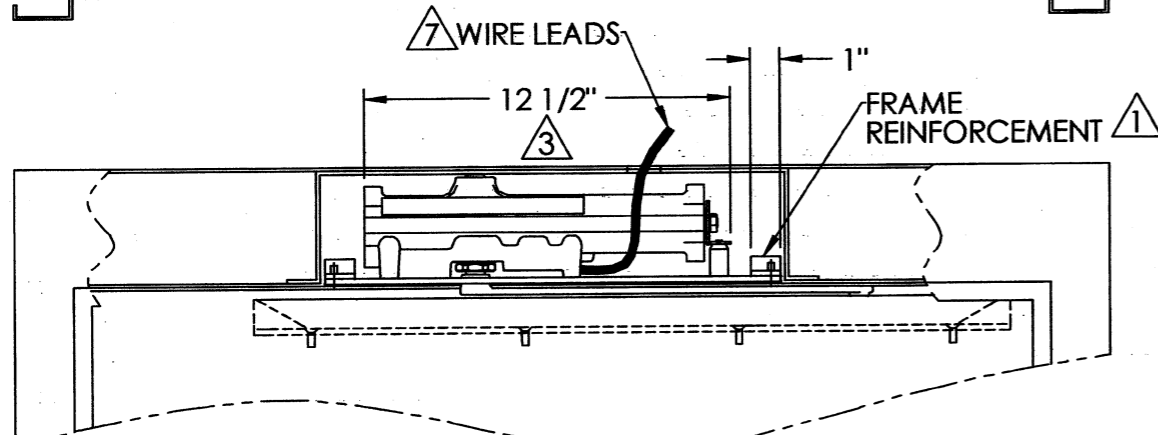


MAX DOOR OPENING ANGLE	DIMENSION "B"
120°	5"
180°	4"



NOTES:

- ① USE 7 GAUGE REINFORCEMENT FOR HOLLOW METAL FRAMES.
- ② USE 12 GAUGE REINFORCEMENT FOR HOLLOW METAL DOORS.
- ③ MINIMUM OPENING REQUIRED FOR CLOSER BODY.
- ④ A REMOVABLE STOP IS REQUIRED FOR DOOR WIDTHS UNDER 2" THICK, SEE TEMPLATE A7985 FOR REMOVABLE STOP FRAME DETAIL.
- ⑤ MAXIMUM DEGREE OF OPENING 140°.
- ⑥ LEFT HAND DOOR AND CLOSER SHOWN, RIGHT HAND OPPOSITE.
- ⑦ CLOSER COVER BOXES ON 269 CSPS & CSPD REQUIRE CONDUIT KNOCKOUTS

SARGENT Manufacturing Company 100 Sargent Drive New Haven, CT 06511	
DATA SHEET: 269 CSP & CSPS/CSPD OVERHEAD CONCEALED SECURITY CLOSER WITH OFFSET PIVOT	RELEASE DATE Feb 08 TEMPLATE NO. A7986 A