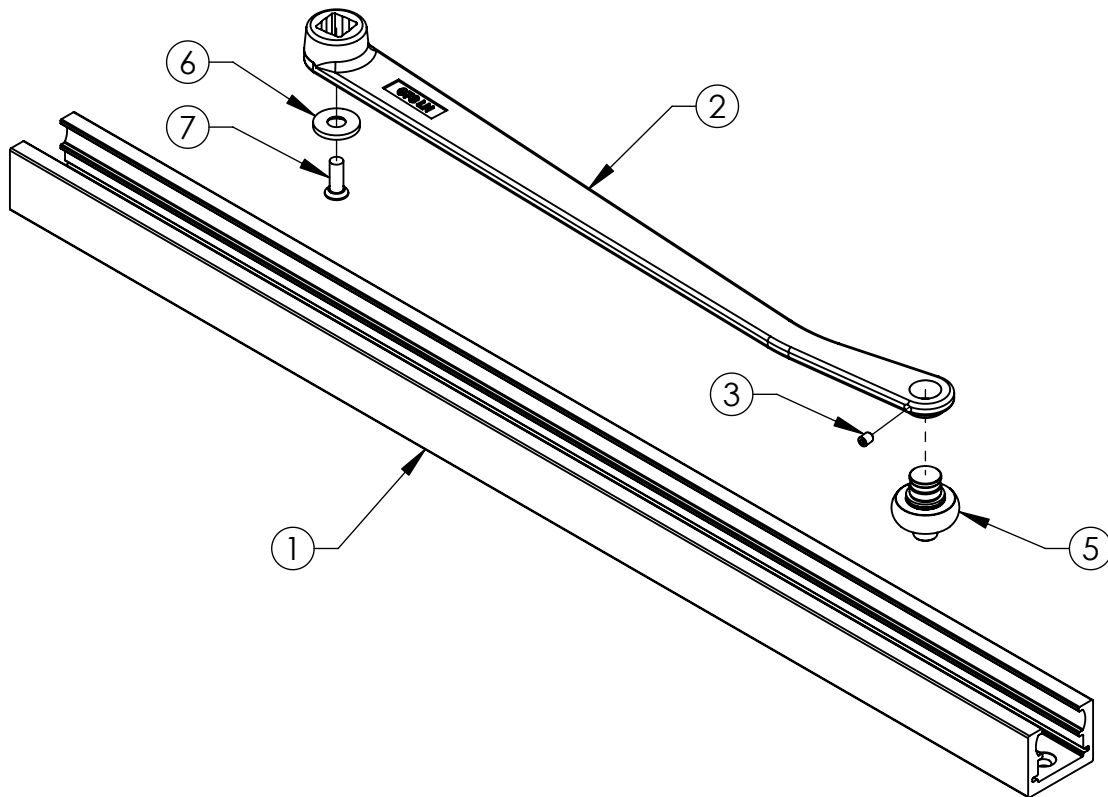


268/269 O ARM ASSEMBLY

PARTS LIST

Page No. 6
 Rev: A
 Date: 11/07



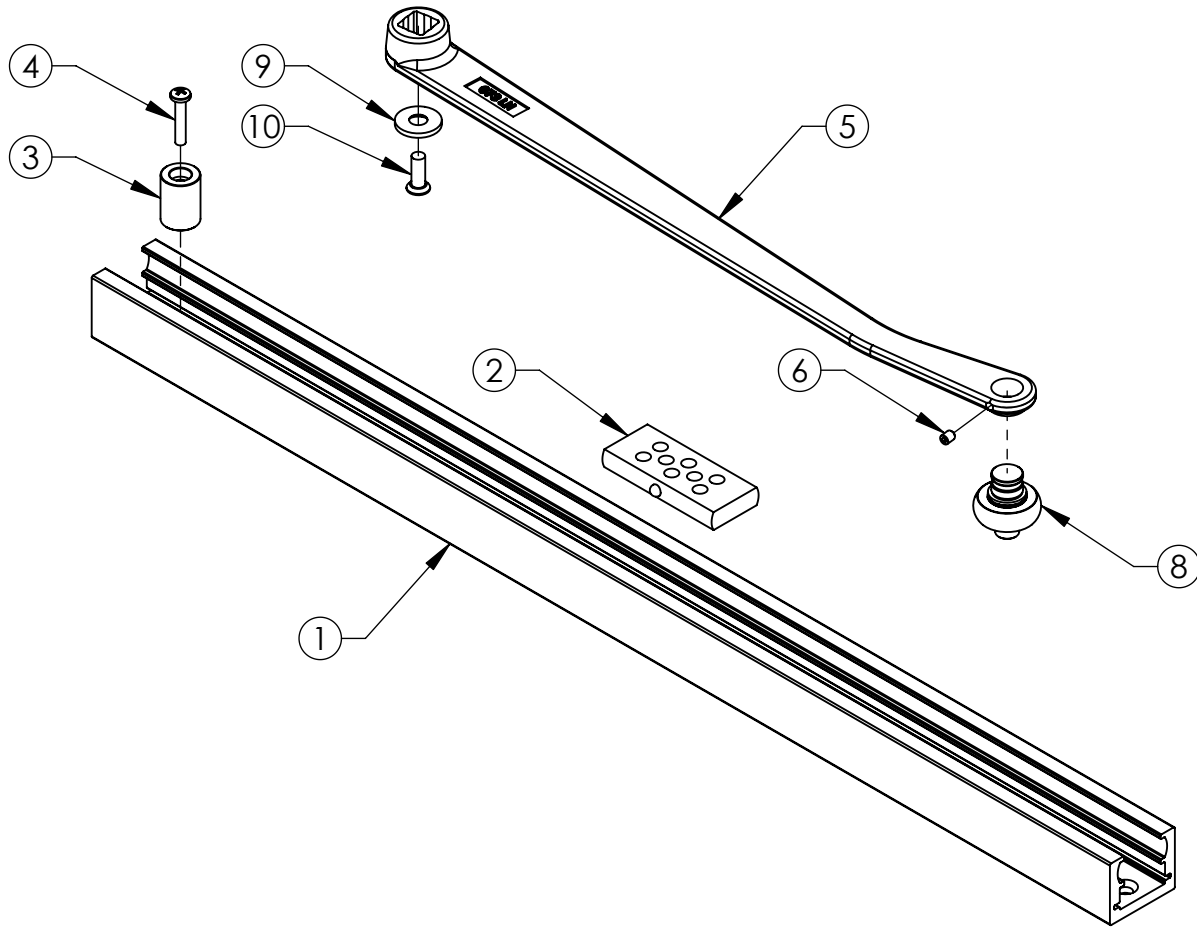
Item	Part No.	Description	Qty.	Comments
1	63-0071	O Channel	1	
2	63-0073*	Arm (Left Hand)	1	Included In Item 4
	63-0074*	Arm (Right Hand)		
3	01-0287	#8-32 x 1/4" Socket Set Screw	1	
4	63-6340*	268/269 Screw Pack (Not Shown)	1	
5	63-3905	Roller Assembly	1	
6	---	Washer	1	
7	---	#12-24 x 5/8" Phillips Flat Head Machine Screw	1	
8	---	#12 x 1 1/2" Phillips Flat Head Self Drilling/Tapping Screw (Not Shown)	4	
9	---	#12-24 x 3/4" Phillips Flat Head Machine Screw (Not Shown)	4	

* Finish Required: Powder Coat Finishes - EB, ED, EN, EP, EAB
 Plated Finishes - 04, 10B, 26D

268/269 OB ARM ASSEMBLY

PARTS LIST

Page No. 7
 Rev: A
 Date: 11/07



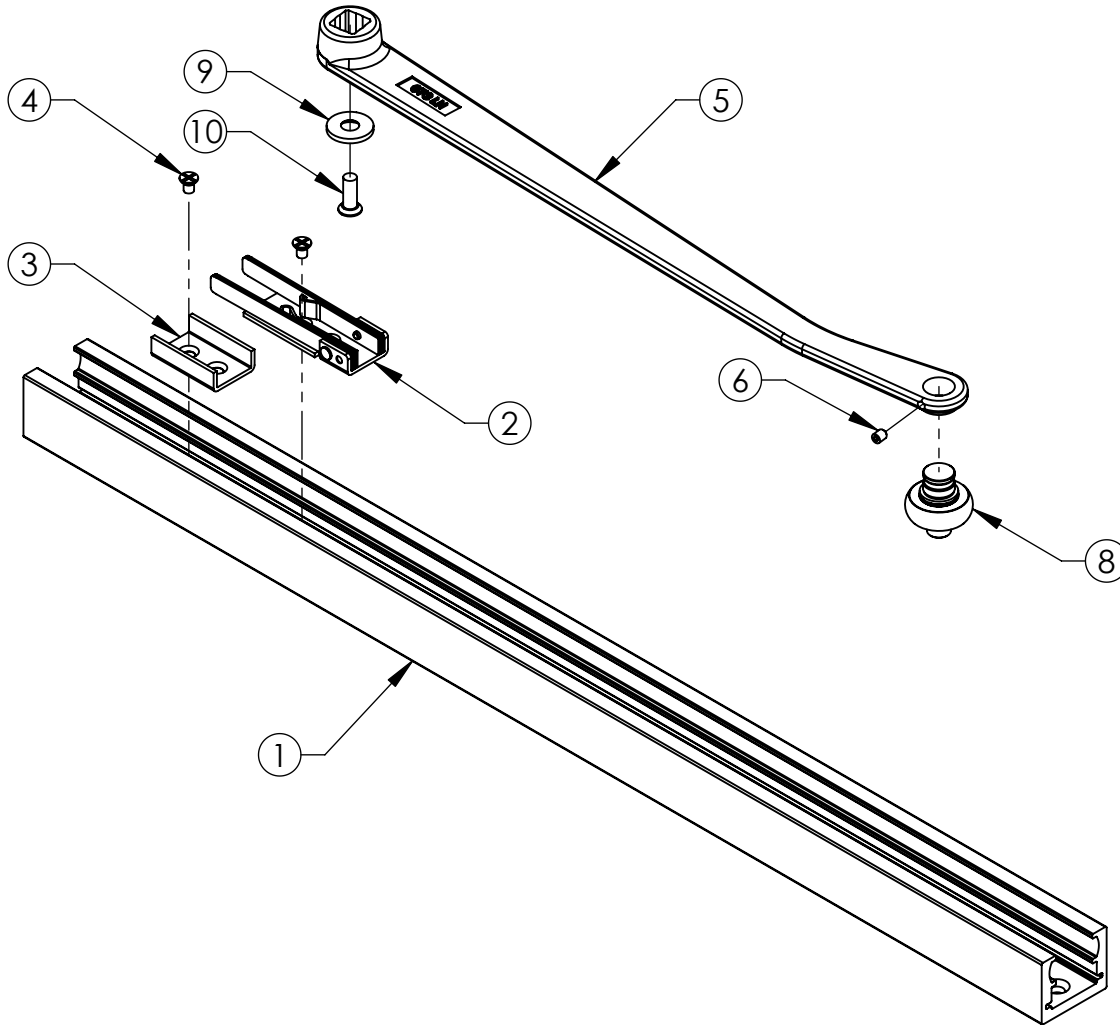
Item	Part No.	Description	Qty.	Comments
1	63-0072	Channel	1	
2	63-0377	Bumper	1	
3	63-0396	Bumper Stop	1	
4	01-0134	#8-32 x 13/16" Phillips Pan Head Machine Screw	1	
5	63-0073*	Arm (Left Hand)	1	
	63-0074*	Arm (Right Hand)		
6	01-0287	#8-32 x 1/4" Socket Set Screw	1	
7	63-6340*	268/269 Screw Pack (Not Shown)	1	
8	63-3905	Roller Assembly	1	
9	---	Washer	1	Included In Item 7
10	---	#12-24 x 5/8" Phillips Flat Head Machine Screw	1	
11	---	#12 x 1 1/2" Phillips Flat Head Self Drilling/Tapping Screw (Not Shown)	4	
12	---	#12-24 x 3/4" Phillips Flat Head Machine Screw (Not Shown)	4	

* Finish Required: Powder Coat Finishes - EB, ED, EN, EP, EAB
 Plated Finishes - 04, 10B, 26D

268/269 H ARM ASSEMBLY

PARTS LIST

Page No. 8
 Rev: A
 Date: 11/07



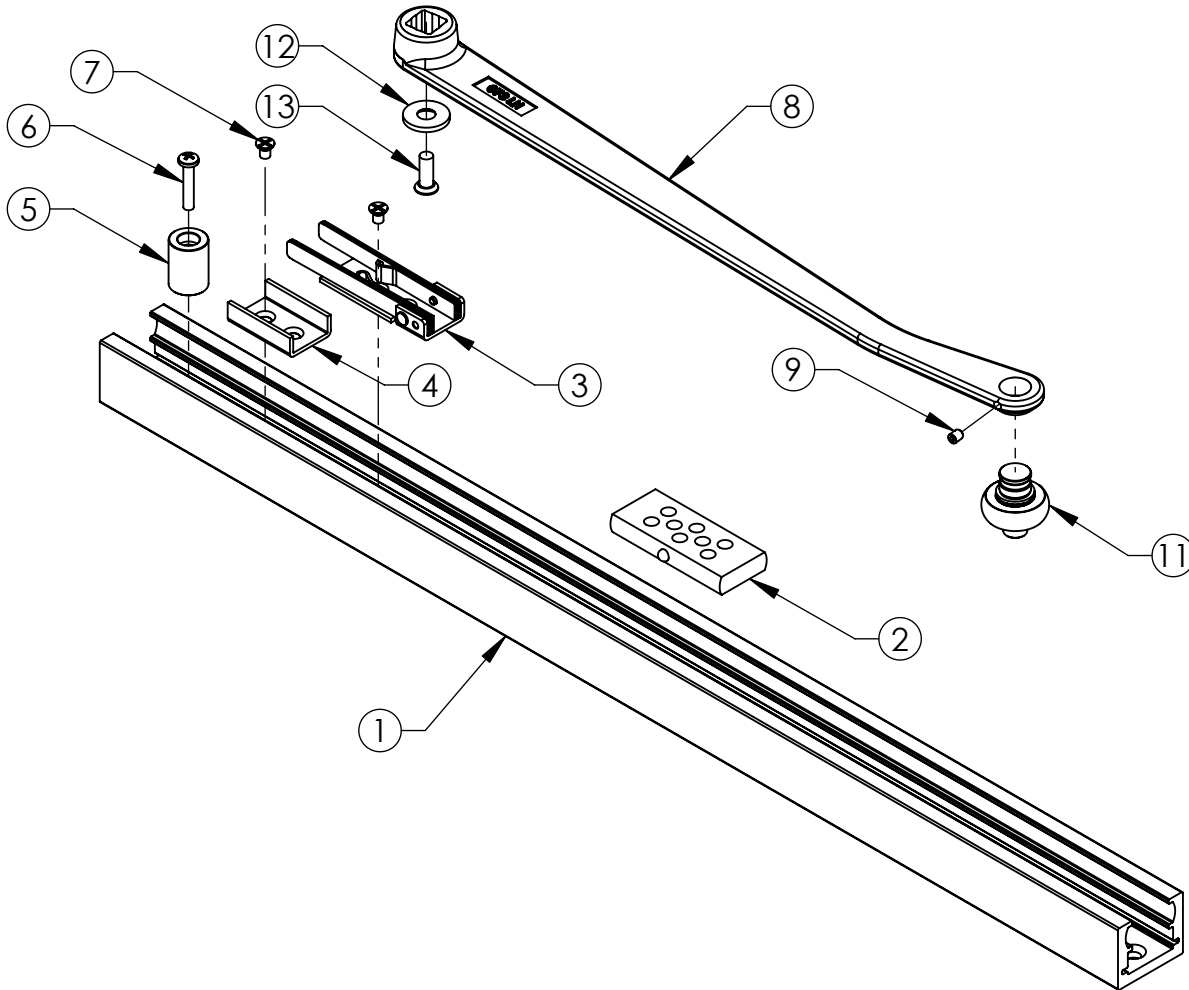
Item	Part No.	Description	Qty.	Comments
1	63-0072	Channel	1	
2	63-2063	Spring Slide Assembly	1	
3	63-0678	Spring Support	1	
4	01-1028	#8-32 x 1/4" Phillips Flat Head Machine Screw	2	
5	63-0073*	Arm (Left Hand)	1	
	63-0074*	Arm (Right Hand)		
6	01-0287	#8-32 x 1/4" Socket Set Screw	1	
7	63-6340*	268/269 Screw Pack (Not Shown)	1	
8	63-3905	Roller Assembly	1	
9	---	Washer	1	Included In Item 7
10	---	#12-24 x 5/8" Phillips Flat Head Machine Screw	1	
11	---	#12 x 1 1/2" Phillips Flat Head Self Drilling/Tapping Screw (Not Shown)	4	
12	---	#12-24 x 3/4" Phillips Flat Head Machine Screw (Not Shown)	4	

* Finish Required: Powder Coat Finishes - EB, ED, EN, EP, EAB
 Plated Finishes - 04, 10B, 26D

268/269 HB ARM ASSEMBLY

PARTS LIST

Page No. 9
 Rev: A
 Date: 11/07



Item	Part No.	Description	Qty.	Comments
1	63-0072	Channel	1	
2	63-0377	Bumper	1	
3	63-2063	Spring Slide Assembly	1	
4	63-0678	Spring Support	1	
5	63-0396	Bumper Stop	1	
6	01-0134	#8-32 x 13/16" Phillips Pan Head Machine Screw	1	
7	01-1028	#8-32 x 1/4" Phillips Flat Head Machine Screw	2	
8	63-0073*	Arm (Left Hand)	1	
	63-0074*	Arm (Right Hand)		
9	01-0287	#8-32 x 1/4" Socket Set Screw	1	
10	63-6340*	268/269 Screw Pack (Not Shown)	1	
11	63-3905	Roller Assembly	1	
12	---	Washer	1	Included In Item 10
13	---	#12-24 x 5/8" Phillips Flat Head Machine Screw	1	
14	---	#12 x 1 1/2" Phillips Flat Head Self Drilling/Tapping Screw (Not Shown)	4	
15	---	#12-24 x 3/4" Phillips Flat Head Machine Screw (Not Shown)	4	

* Finish Required: Powder Coat Finishes - EB, ED, EN, EP, EAB
 Plated Finishes - 04, 10B, 26D