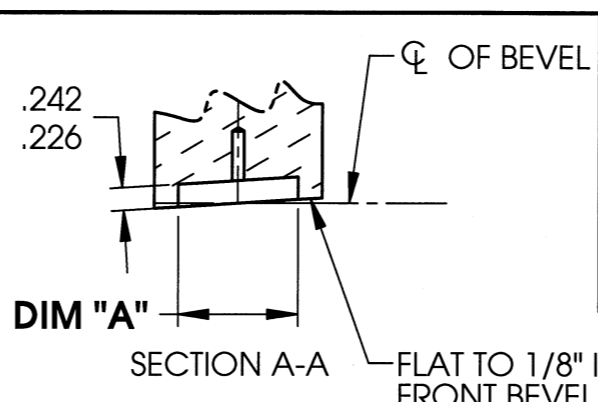
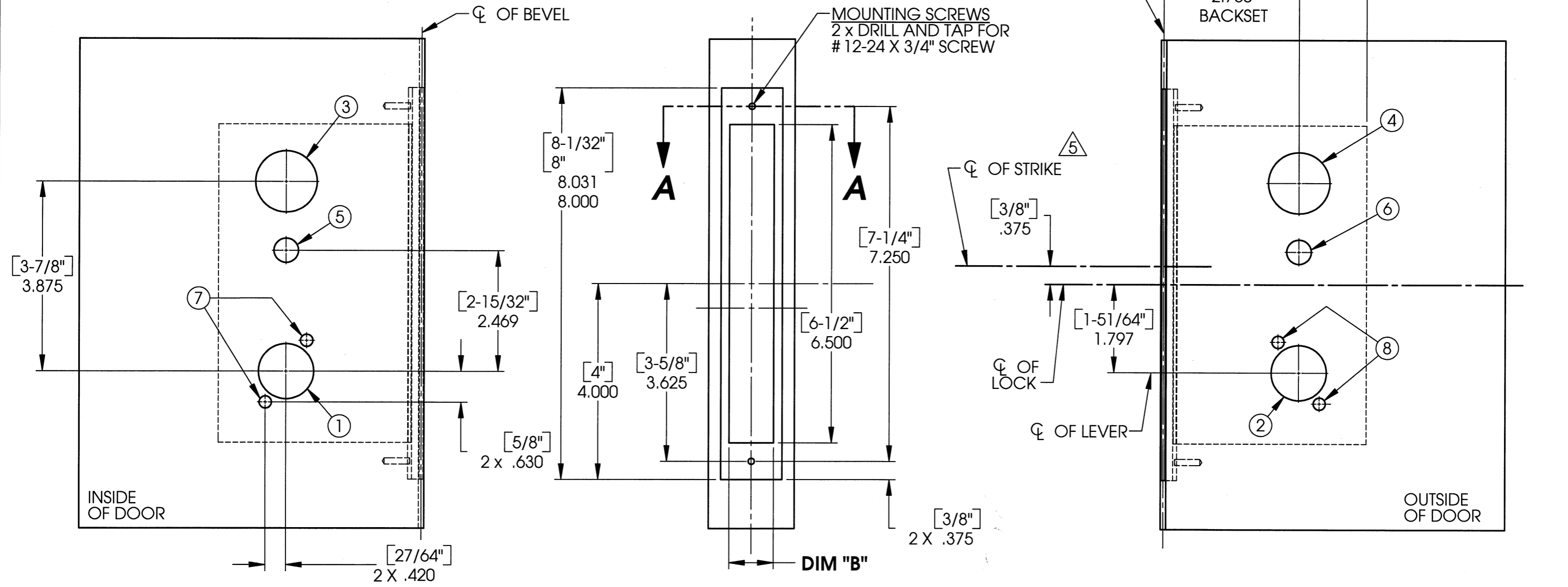


REQUIRED HOLES								
	1	2	3	4	5	6	7	8
FUNCTION	1-1/8" DIA.	1-1/8" DIA.	1-1/4" DIA.	1-1/4" DIA.	1/2" DIA.	1/2" DIA.	1/4" DIA.	1/4" DIA.
04, 37, 55, 70, 71	■	■		■			■	■
24, 25, 43, 45, 50	■	■		■	■		■	■
95	■						■	
15	■	■					■	■
16, 26, 38, 72, 73	■	■	■	■			■	■
65, 66	■	■			■	■	■	■



THIS TEMPLATE COVERS THE 7900 SERIES LOCKSETS IN ACCORDANCE WITH THE SPECIFICATIONS INDICATED BELOW:

LOCK LINES & VARIATIONS	VARIABLE DIMENSIONS		
	DIM "A"	DIM "B"	DIM "C"
7900	1.250 ±.015 (1-1/4")	.906 (29/32")	4.125 (4-1/8")
1- PREFIX	1.062 ±.015 (1-1/16")	.906 (29/32")	4.125 (4-1/8")
RX- PREFIX	1.250 ±.015 (1-1/4")	1.250 (1-1/4")	4.375 (4-3/8")



**DETAIL OF SUGGESTED DOOR-CUT**

- NOTES:
1. DENOTES HOLE REQUIRED FOR FUNCTION LISTED. (CHECK BEFORE CUTTING HOLES)
  2. REFER TO TRIM TEMPLATE FOR ADDITIONAL HOLES REQUIRED.
  3. SUITABLE REINFORCEMENTS REQUIRED FOR METAL DOORS.
  4. FOR ADDITIONAL REQUIREMENTS FOR SOLENOID OPERATED (70, 71, 72 AND 73) AND RX- PREFIX, SEE TEMPLATE 7065.
  5. FOR DETAILS, SEE STRIKE TEMPLATE 7063.

**SARGENT** Manufacturing Company  
100 Sargent Drive New Haven, CT 06511

TEMPLATE: 7900 MORTISE LOCK (LOCK BODY ONLY)

RELEASE DATE: 11-JUN-07

TEMPLATE NO. 4589