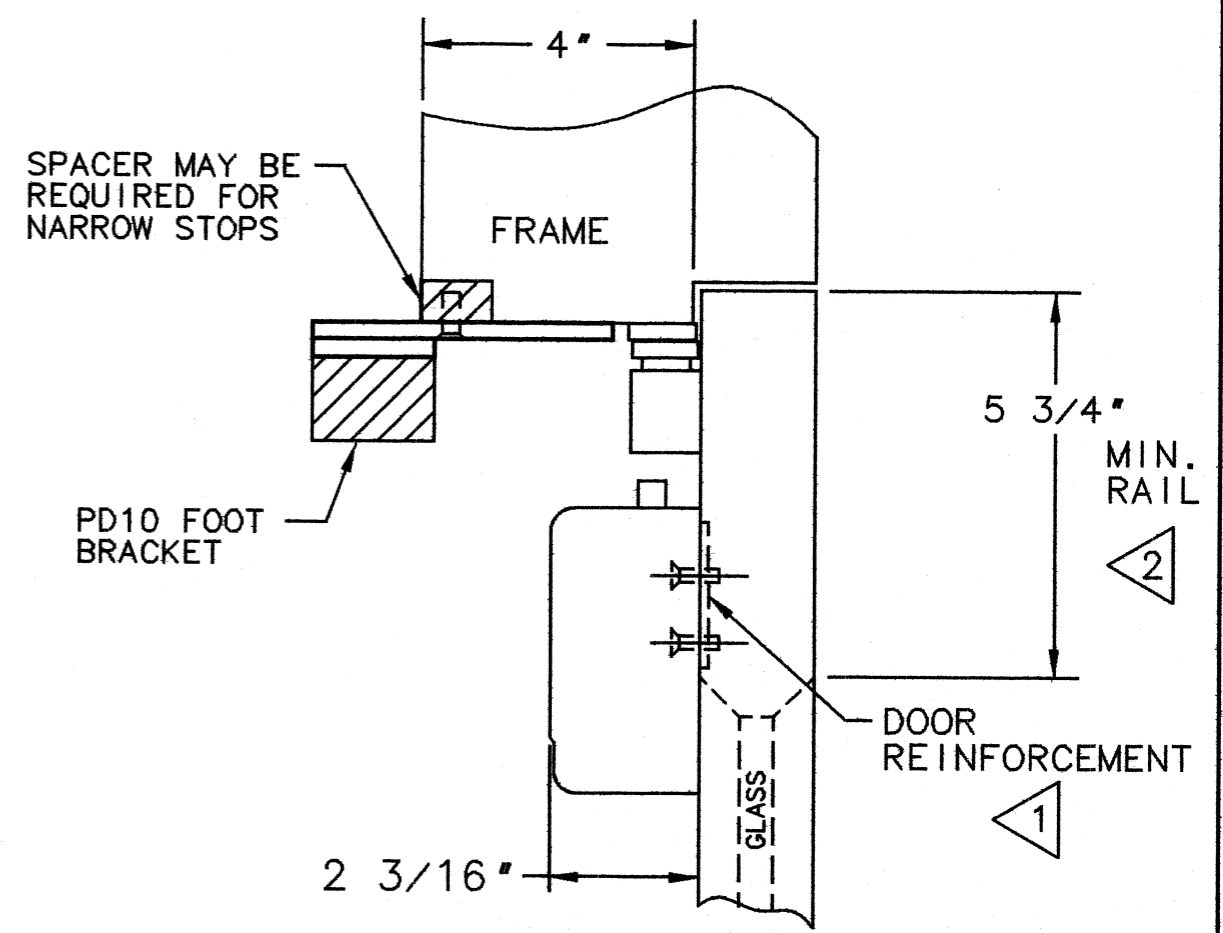


P10 FOOT BRACKET DETAIL



NOTES

1. REINFORCE METAL DOORS AND FRAMES PER ANSI A250.8 AND SDI-100 STANDARDS, 12 GAUGE RECOMMENDED.
2. FOR THIN TOP RAIL DOORS, USE 281-D DROP PLATE, SEE TEMPLATE A6745
3. FOR 597-599 INSTALLATION, SEE TEMPLATES A7479 - A7481
4. FOR 1546 - 1549 INSTALLATION, SEE TEMPLATES A7488- A7490.
5. LEFT HAND DOOR SHOWN, RIGHT HAND OPPOSITE.

<b>SARGENT<sup>®</sup> Manufacturing Company</b> 100 Sargent Drive New Haven, CT 06511	
DATA SHEET: 281 SERIES CLOSER WITH PD10 DROP DOWN PARALLEL ARM WITH 590 OR 1540 SERIES HOLDER/STOP	RELEASE DATE <b>3 Oct 06</b>
	TEMPLATE NO. A7881 B