

**SARGENT®**

**ASSA ABLOY**

---

# GX Series (3 Line)

---

Tubular Lever Lock



# Table of Contents

## GX Series Tubular Lever Locks

Features, Benefits and Applications ..... 1  
 Lever and Rose Designs, Functions and Options ..... 2  
 Strikes and Latches ..... 3  
 How to Order, Finishes, Packaging and Architectural Specifications ..... 4

### Specifications

Door Thickness	Adjustable for 1-3/8" (35mm) – 1-3/4" (44mm) doors
Backset	Adjustable for 2-3/8" (60mm) or 2-3/4" (70mm) backsets
Tubular Chassis	Steel-zinc dichromate
Front	Wrought brass, 1" x 2-1/4" (25mm x 57mm) standard, provided with plastic spacer for adapting to 1-1/8" x 2-1/4" (29mm x 57mm) cutout 13- Option: 1/4" (6mm) Radius corner latch with 506 full lip strike 15- Option: Drive-in latch, 1" (25mm) diameter
Strike	Wrought brass, bronze or stainless steel 501 Curved lip strike standard 508 ANSI Curved lip strike (28- option) 506 Full lip strike (13- and 14- option) Wrought box strike available (WBS- option)
Hand	L & B Design levers – non handed, field reversible Y & G Design levers – handed
Levers	Cast zinc
Rose	Wrought brass
Latch	1/2" (13mm) Throw
Finishes	03, 04, 10, 10B, 10BE, 15, 26 and 26D. Split finish for 65 function only
Door Prep	ANSI/BHMA A156.115

### Certification Compliance

ANSI/BHMA	Designed to meet ANSI/BHMA A156.2 Series 4000 – Grade 2
ADA	All levers conform to ADA requirements for barrier-free accessibility

Any retrofit or other field modification to a fire rated opening can potentially impact the fire rating of the opening, and Sargent Manufacturing Company makes no representations or warranties concerning what such impact may be in any specific situation. When retrofitting any portion of an existing fire rated opening, or specifying and installing a new fire-rated opening, please consult with a code specialist or local code official (Authority Having Jurisdiction) to ensure compliance with all applicable codes and ratings.



### MicroShield<sup>®</sup>

As part of their promise to provide innovative solutions to their customers, certain ASSA ABLOY Group brands offer the MicroShield<sup>®</sup> technology, a silver-based antimicrobial coating designed to inhibit the growth of bacteria. MicroShield<sup>®</sup> is a registered trademark of Yale Security Inc., an ASSA ABLOY Group company.

### MicroShield<sup>®</sup> Coating

- Revolutionary finish coating available on all SARGENT product lines, utilizes a silver-based antimicrobial compound from Agion Technologies
- As an integral part of the finish coating, MicroShield<sup>®</sup> lasts for the life of the hardware
- MicroShield<sup>®</sup> coating permanently suppresses the growth of bacteria, algae, fungus, mold and mildew. It is effective against a broad spectrum of bacteria.
- Non-toxic and completely safe. The Agion antimicrobial compound is EPA and NSF approved and FDA listed for use in medical and food preparation equipment.
- Applications: Anywhere there is need for a clean environment (hospitals, laboratories, schools, medical centers, daycare, food processing etc.)



### Agion has achieved:



Agion's silver antimicrobial has been certified for its material content, recyclability, and manufacturing characteristics. Cradle To Cradle Certified<sup>CM</sup> products meet established standards for human health, environmental health and recyclability.

Cradle To Cradle Certified<sup>CM</sup> is a certification mark of MBDC.

Copyright © 2004, 2014, Sargent Manufacturing Company, an ASSA ABLOY Group company. All rights reserved. Reproduction in whole or in part without the express written permission of Sargent Manufacturing Company is prohibited.

90114D 11/15/14

### On the Cover

3U15 x OG x 26 x RH

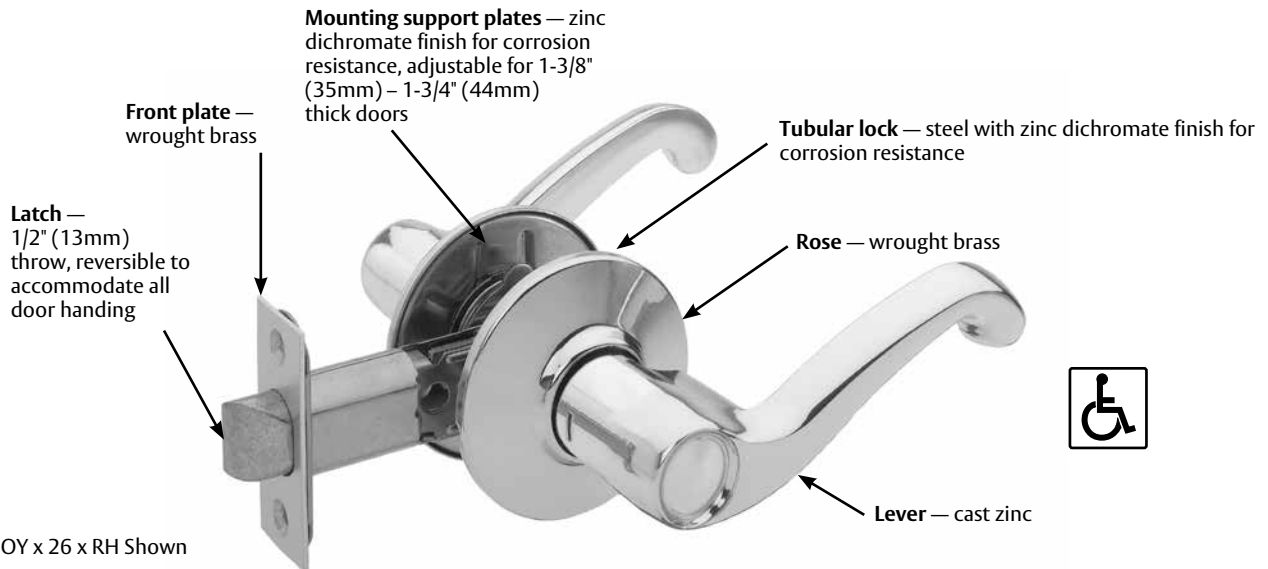
# Features, Benefits and Applications

## GX Series Tubular Lever Locks

**SARGENT®**

**ASSA ABLOY**

### Features & Benefits



The SARGENT GX Series is designed with the quality and styling required to meet the needs of the residential and multi-unit housing market, in addition to light commercial and retail applications.

The architectural beauty and harmony throughout the building is extended to the door hardware with the GX Series. The simple lines of the L and B levers are modeled after similar levers of the other lock lines. Stylish Y and G levers continue the flowing concept of the Coastal Series Yarmouth and Gulfport designs. Together, these levers complement the trim designs of the other SARGENT lock series presenting a coordinated interior look.

Quick, simple, straight forward to install, the SARGENT GX Series supplies both the decorative touches and functional needs for assisted living facilities, retail locations and residential housing.

#### Durability & Flexibility

- Economical installation for new construction as well as retrofits and renovations
- Flexible construction adapts to multiple door and frame conditions
- Lockbody fits doors from 1-3/8" (35mm) – 1-3/4" (44mm) thick
- Backset from 2-3/8" (60mm) to 2-3/4" (70mm) – field adjustable
- Fits ANSI/BHMA A156.115 door prep
- 6 different latches (reversible) and strikes
- Passage, Privacy, Exit or Communicating and Single Lever Pull functions
- Concealed mounting screws
- 4 lever designs with 8 finish combinations
- Complements trim designs of other SARGENT locks

#### Applications

- Light duty commercial interior doors
- Apartment buildings
- Assisted living facilities
- Hotels/Motels
- Residential housing
- Retail interiors

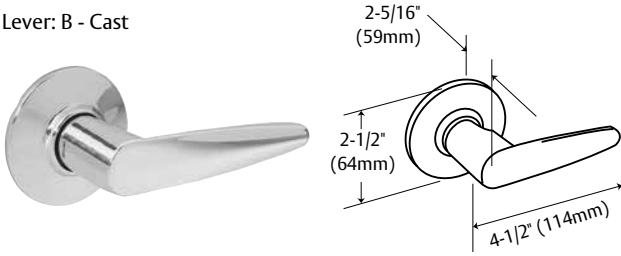
# Lever and Rose Designs, Functions and Options

## GX Series Tubular Lever Locks

**SARGENT®**  
**ASSA ABLOY**

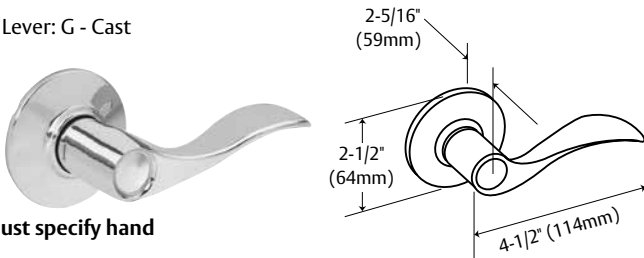
### OB Design

- Rose: O - Wrought
- Lever: B - Cast



### OG Design

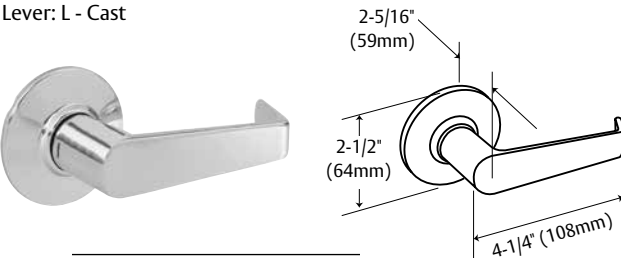
- Rose: O - Wrought
- Lever: G - Cast



Must specify hand

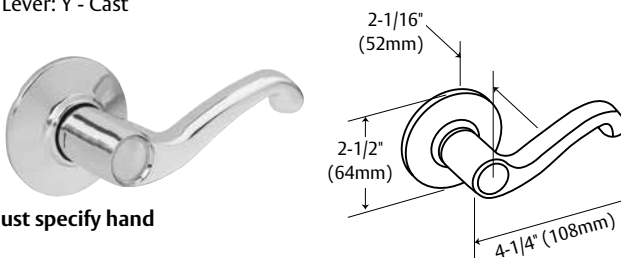
### OL Design

- Rose: O - Wrought
- Lever: L - Cast



### OY Design

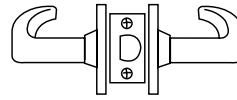
- Rose: O - Wrought
- Lever: Y - Cast



Must specify hand

Lever projections shown are for 1-3/4" (44mm) thick doors and will vary by door thickness.

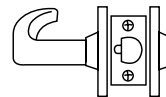
### 15 Passage



### 3U15

- Latch retracts by either lever

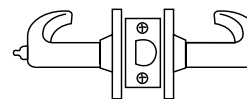
### 15-3 Exit or Communicating



### 3G15-3

- Deadlocking latch
- Blank rose outside
- Latch by lever inside
- Minimum clearance of 1-1/4" (32mm) required between doors

### 65 Privacy/Bathroom



### 3U65

- Latch retracted by either lever unless outside and inside levers are locked by turn button in inside lever
- Manually rotating inside turn button unlocks outside and inside levers
- Push pin tool inserted into hole in outside lever allows latch retraction by outside lever

### 93 Single Lever Pull



### 3U93

- For wood or custom hollow metal doors
- Lever and rose attached by surface applied screws (hidden under rose)
- Requires special door preparation - see template

Note: Shaded lever indicates it is rigid at all times

### Option Designation and Description

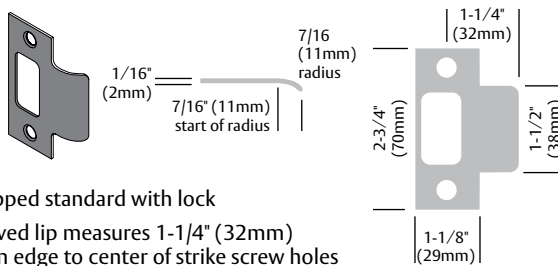
13-	1/4" Radius front latch with 506 full lip strike
14-	506 Full lip strike
15-	Drive-in latch (26D finish only) with 501 curved lip strike
28-	508 ANSI Curved lip strike
WBS-	Wrought Box Strike

## Strikes and Latches

### GX Series Tubular Lever Locks

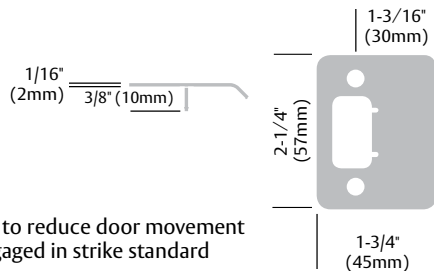
- To order latch and strike with lock, specify option. Example: 13-3U15 x OB x 26D
- Strike finishes: 03, 10, 10B, 32D
- Lock with 04 finish is supplied with 03 latch and strike. 15, 26, 26D and split finish are supplied with 26D latch and 32D strike

#### 2-3/4" Curved Lip Strike-Standard



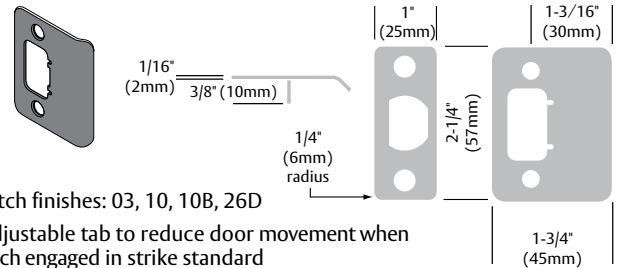
- Shipped standard with lock
- Curved lip measures 1-1/4" (32mm) from edge to center of strike screw holes
- To order strike separately, specify: 501 x finish

#### 2-1/4" Full Lip Strike (14- Option)



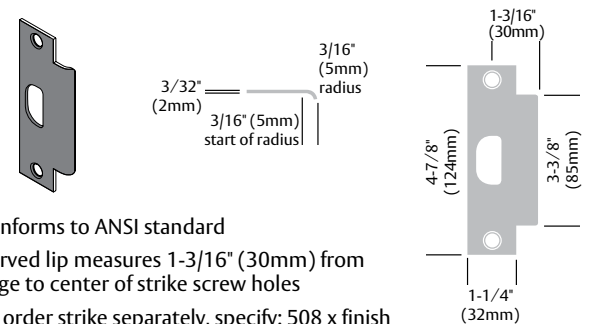
- Adjustable tab to reduce door movement when latch engaged in strike standard
- To order strike separately, specify: 506 x finish

#### 1/4" (6mm) Radius Latch & 506 Strike (13- Option)



- Latch finishes: 03, 10, 10B, 26D
- Adjustable tab to reduce door movement when latch engaged in strike standard
- To order strike separately, specify: 506 x finish

#### 4-7/8" ANSI Curved Lip Strike (28- Option)



- Conforms to ANSI standard
- Curved lip measures 1-3/16" (30mm) from edge to center of strike screw holes
- To order strike separately, specify: 508 x finish
- Wrought box strike not provided, order separately as 77-1141

#### Square Corner Latch – Standard



- Shipped standard with lock
- Front size: 2-1/4" x 1" (57mm x 25mm)
- Finishes: 03, 10, 10B, 26D
- Lock with 04 finish is supplied with 03 latch. 26 and split finish are supplied with 26D latch
- To order latch separately, specify: 03-3120 x finish

#### Drive-in Latch (15- Option)



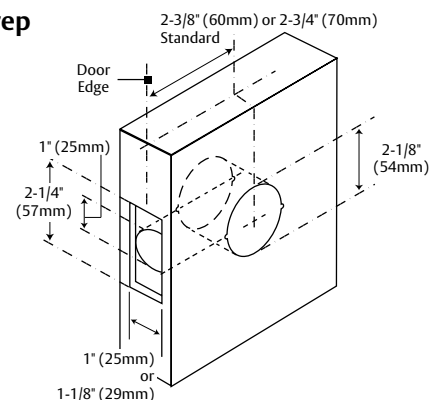
- 1" (25mm) diameter
- 26D finish only
- Latch (15- Option)
- To order latch separately, specify: 03-3122 x 26D

#### 1/4" (6mm) Radius Latch (13- Option)



- Front size: 2-1/4" x 1" (57mm x 25mm)
- Finishes: 03, 10, 10B, 26D
- Lock with 04 finish is supplied with 03 latch. 26 and split finish are supplied with 26D latch
- To order latch separately, specify: 03-3121 x finish

#### Door Prep



# How to Order, Finishes, Packaging and Architectural Specifications

## GX Series Tubular Lever Locks



### How to Order

Quantity	Options	Series	Function	Rose	Lever	Finish	Hand
30	12-15-	3	U15	0	G	15	RH
	13- 14- 15- 28- WBS-	3	U15 G15-3 U65 U93	O	B G L Y	03 04 10 10B 10BE 15 26 26D	RH LH

### Finishes

Finish	Description	ANSI/BHMA
03	Polished brass, clear coated	605
04	Satin brass, clear coated	606
10	Satin bronze, clear coated	612
10B	Oxidized bronze, oil rubbed	613
10BE	Dark oxidized satin bronze, equivalent	613E
15	Satin nickel, clear coated	619
26	Polished chrome	625
26D	Satin chrome	626

Zinc levers are plated to match ANSI/BHMA finish  
Split finish available on 3U65 function only

### Packaging

3G05 x OY
Approximately 1 lb. 14 oz. (.85 kg)
10 boxes/case

### Suggested Architectural Specifications

#### A. Acceptable Manufacturer and Series (No Substitutions):

Manufacturer	Series
SARGENT	GX Series

- Locks are designed to meet the requirements of ANSI/BHMA A156.2, Series 4000, Grade 2.
- Locks shall fit a standard 2-1/8" (55mm) bore without the use of through-bolts. Standard rose size shall be 2-1/2" (64mm) in diameter.
- Lock levers shall be made of solid material with no plastic fillers.
- Locks shall be adjustable to fit in 1-3/8" (35mm) or 1-3/4" (45mm) door thickness.
- Backset: Standard 2-3/8" (60mm), adjustable to 2-3/4" (70mm).
- Strikes: Provide strikes with proper lip length to protect trim but not to project more than 1/8" (3mm) beyond trim, frame or inactive leaf.
- Locks shall have a one year limited warranty.



SARGENT Manufacturing Company  
100 Sargent Drive  
New Haven, CT 06511 USA  
800-727-5477  
[www.sargentlock.com](http://www.sargentlock.com)

ASSA ABLOY is the global  
leader in door opening solutions,  
dedicated to satisfying  
end-user needs for security,  
safety and convenience