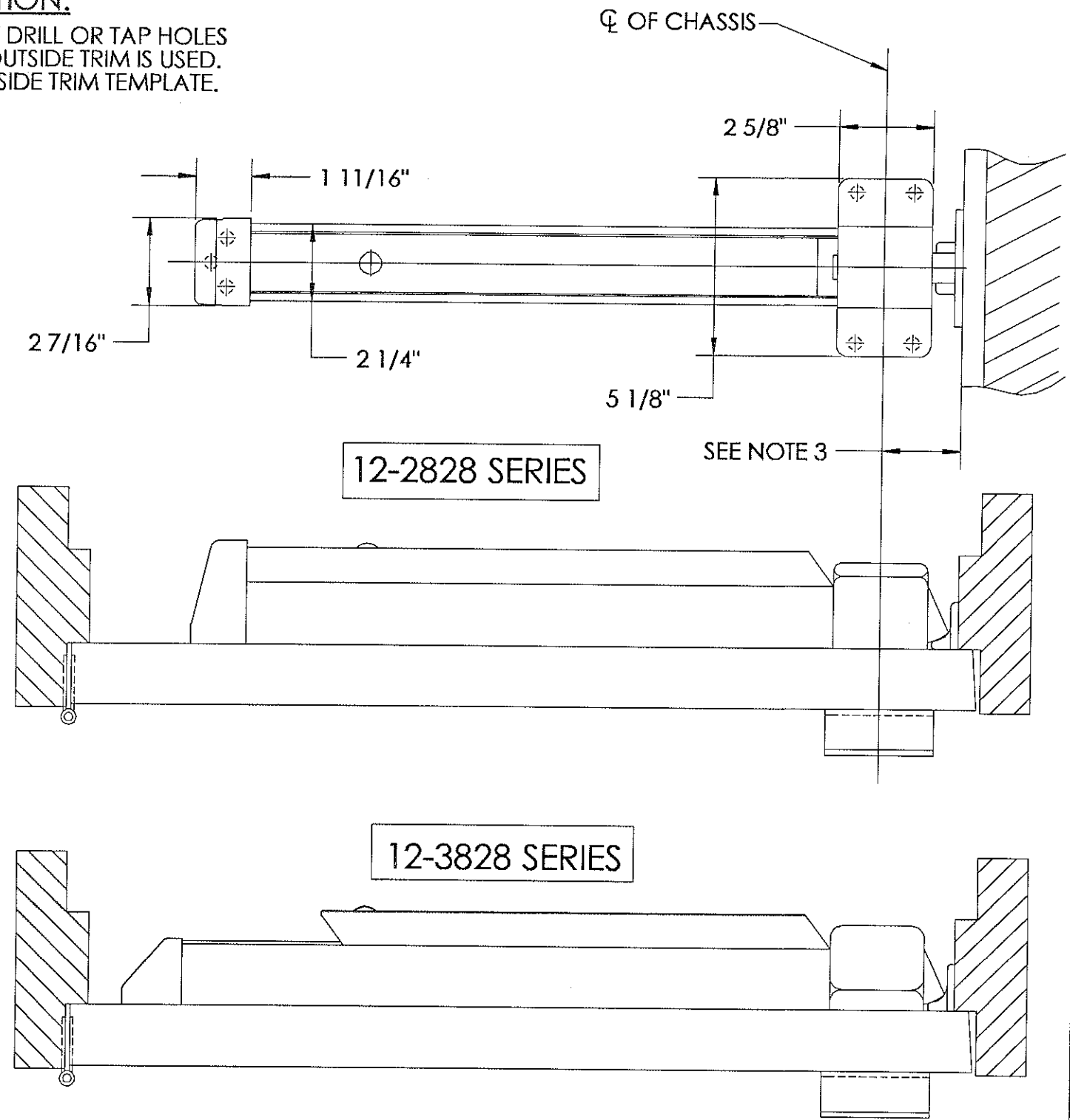
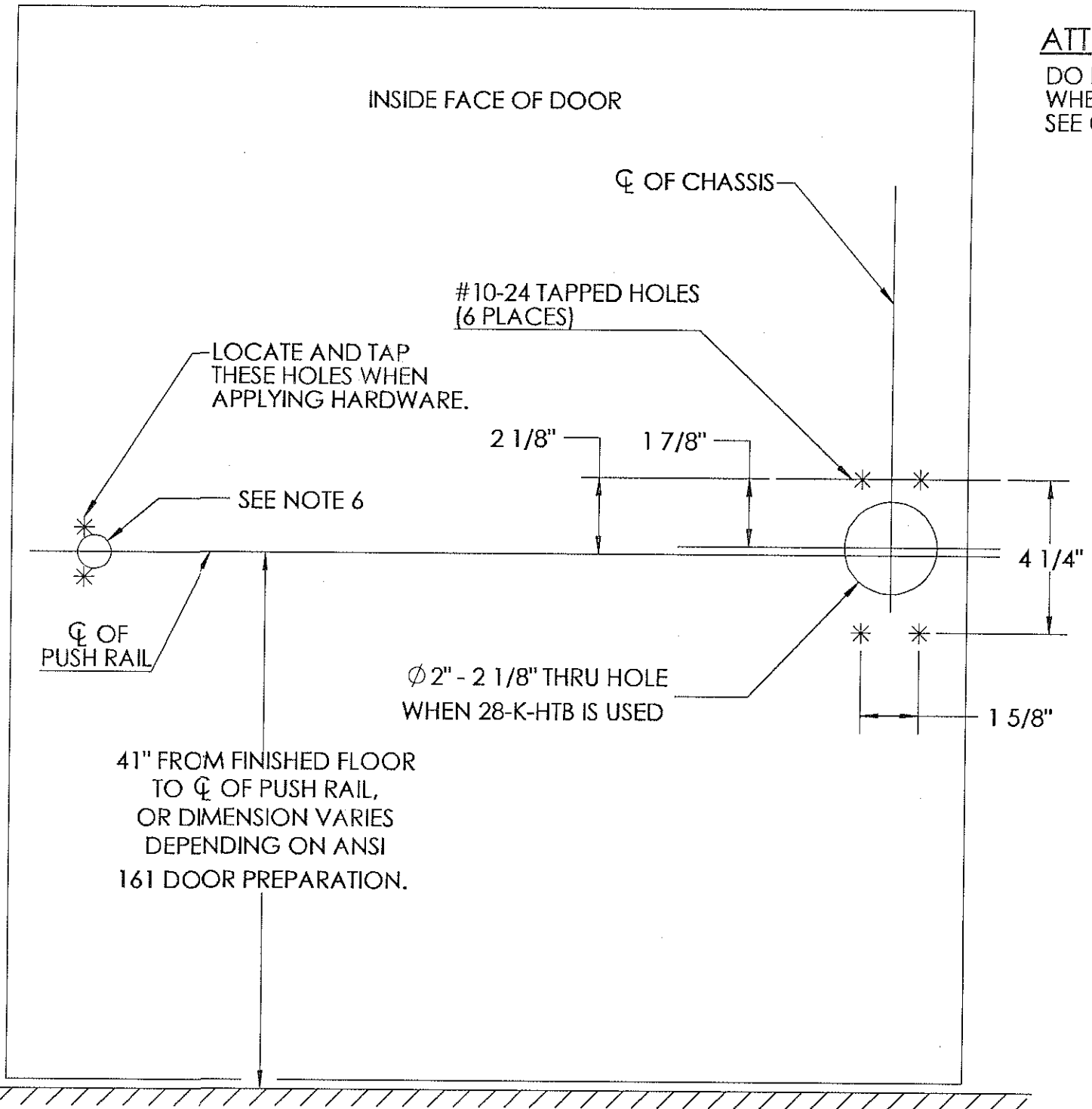


ATTENTION:

DO NOT DRILL OR TAP HOLES WHEN OUTSIDE TRIM IS USED. SEE OUTSIDE TRIM TEMPLATE.



- ⑥ — SEE TEMPLATE 4569 FOR ELECTROLYNX DETAILS IF NEEDED.
- ⑤ — SURFACE OF DOOR WHERE EXIT DEVICE IS TO BE APPLIED MUST BE FLUSH.
- ④ — SEE MASTER SHEET No. 4019 FOR AREAS REQUIRING REINFORCEMENTS.
- ③ — SEE STRIKE TEMPLATE FOR MOUNTING LOCATION OF STRIKE.
FOR 881 MONITOR STRIKE SEE TEMPLATE # 4386
- ② — WE RECOMMEND THAT ALL TAPPED HOLES BE DRILLED & TAPPED IN FIELD.
- ① — TOLERANCE ON ALL DIMENSIONS $\pm 1/32"$.

SARGENT ® Manufacturing Company 100 Sargent Drive New Haven, CT 06511	
DOOR MANUFACTURERS TEMPLATE: 12-2828 & 12-3828 WITH -HTB OR -GTB PULL TRIM	RELEASE DATE 31 JAN 06 TEMPLATE NO. 4302 D