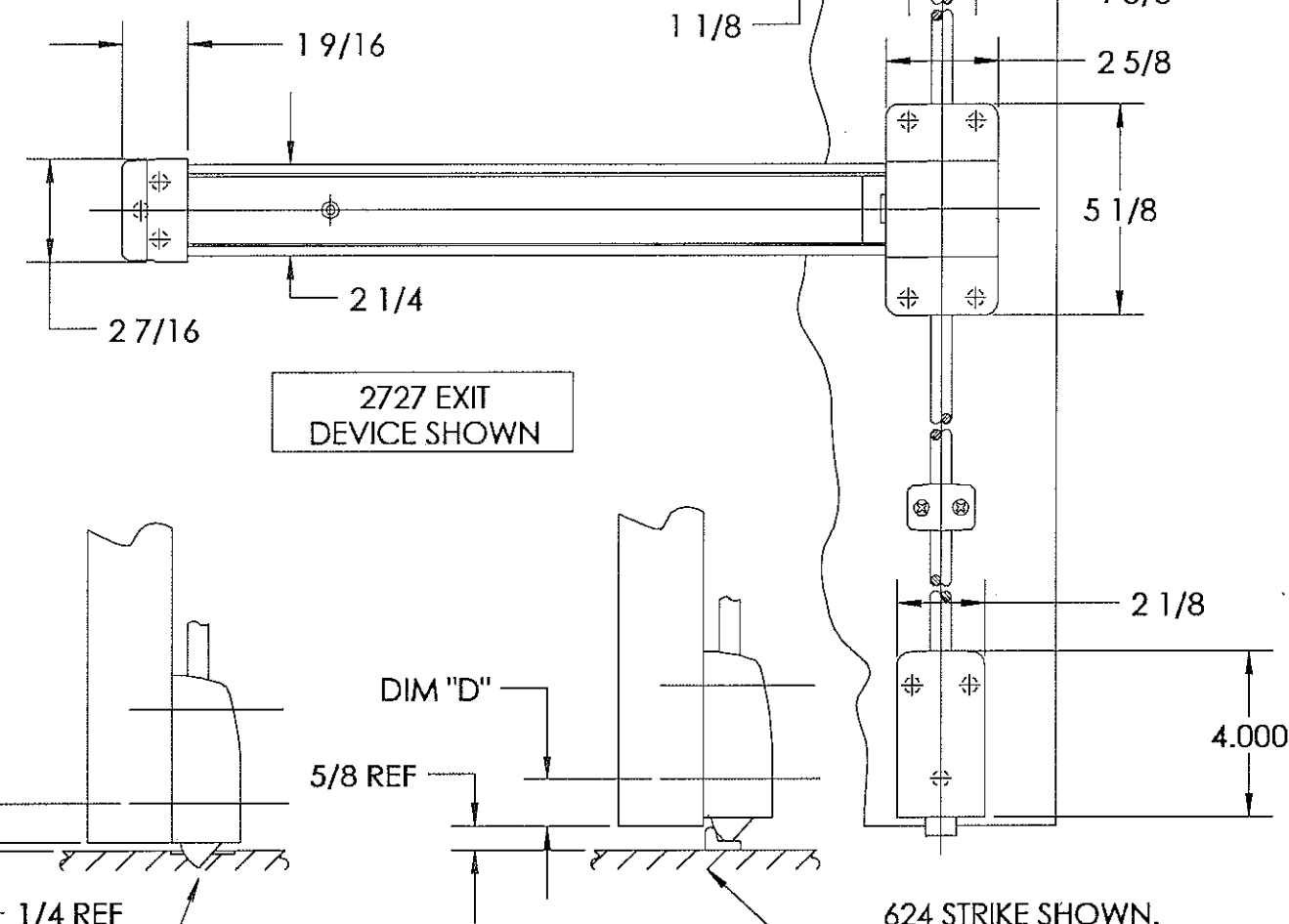
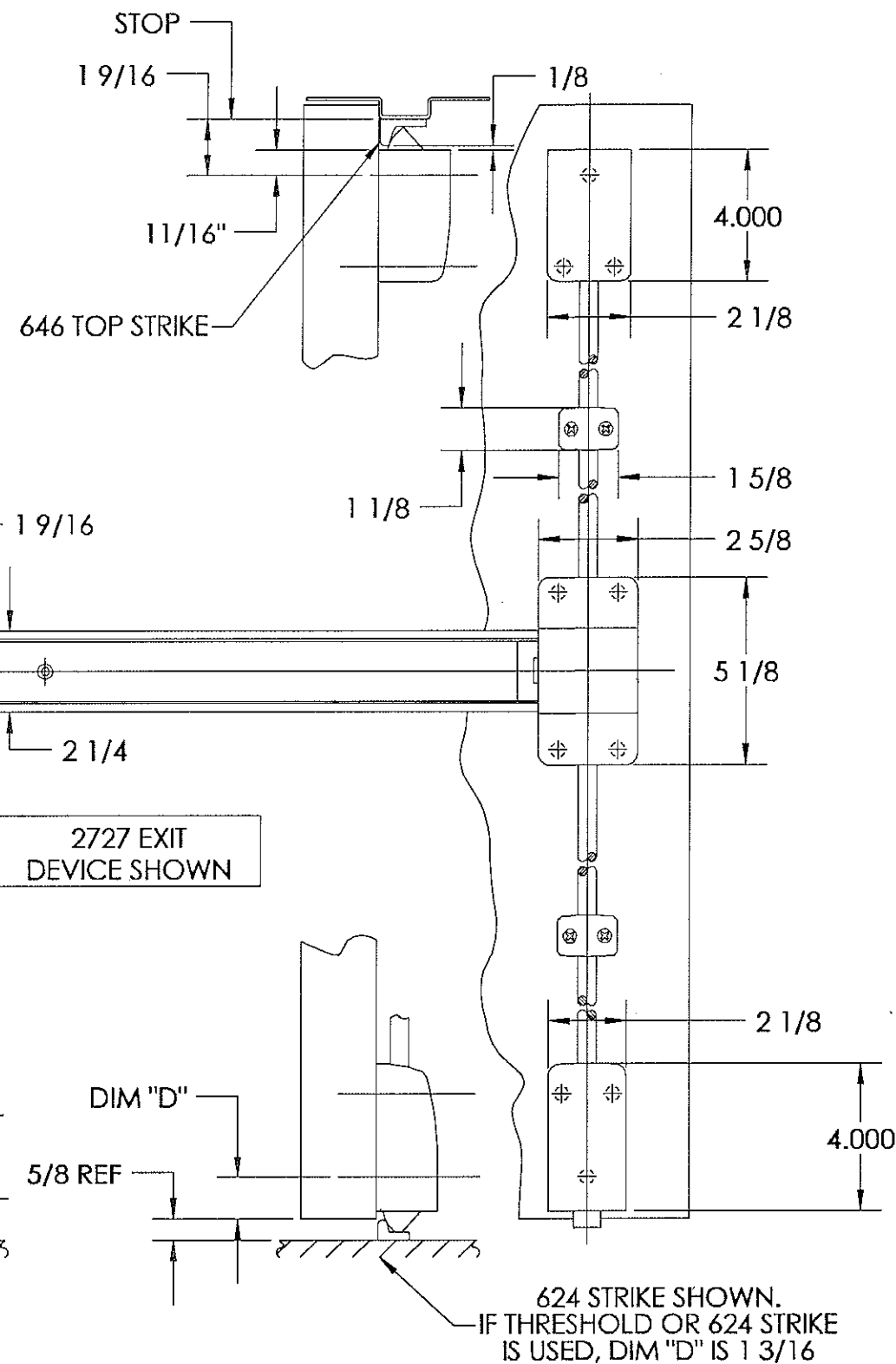


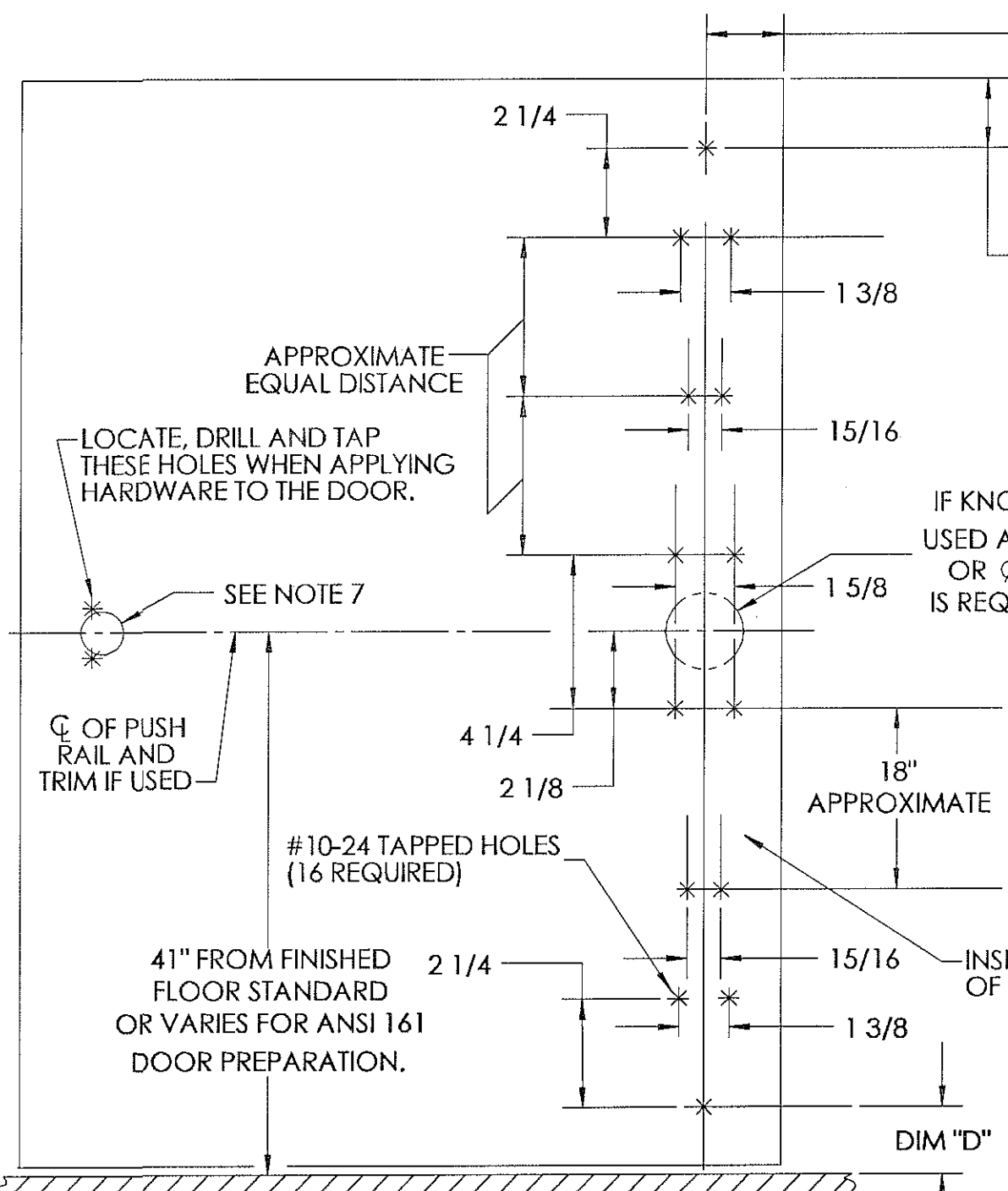
IF LOCK STILE IS 4 1/2" WIDE
OR WIDER, BACKSET IS 2 3/4".
IF LOCK STILE IS LESS THAN
4 1/2" WIDE BACKSET IS
1/2 THE STILE WIDTH.

THIS DIMENSION WILL
VARY WITH STOP HEIGHT
AND DOOR CLEARANCE.
SEE DIAGRAM AT RIGHT.

IF KNOB OR LEVER TRIM IS
USED AN ANSI 161 CUTOUT
OR Ø 2 1/8" THRU HOLE
IS REQUIRED. (SEE NOTE 6)



647 BOTTOM STRIKE SHOWN
IF 636 OR 647 STRIKE IS
USED DIM "D" IS 15/16



LOCATE, DRILL AND TAP
THESE HOLES WHEN APPLYING
HARDWARE TO THE DOOR.

SEE NOTE 7

☉ OF PUSH
RAIL AND
TRIM IF USED

#10-24 TAPPED HOLES
(16 REQUIRED)

41" FROM FINISHED
FLOOR STANDARD
OR VARIES FOR ANSI 161
DOOR PREPARATION.

INSIDE FACE
OF DOOR

- ⑦ — SEE TEMPLATE NO. 4569 FOR ELECTROLYNX DETAILS IF NEEDED.
- ⑥ — FOR 28- LEVER TRIM SEE TEMPLATE 4485, IF 88- LEVER TRIM IS USED (DOORS OVER 1 3/4" THICK), SEE TEMPLATE 4428 FOR TRIM PREPARATION.
- ⑤ — SURFACE OF DOOR WHERE EXIT DEVICE IS TO BE APPLIED MUST BE FLUSH.
- ④ — SEE MASTER SHEET No. 4019 FOR AREAS REQUIRING REINFORCEMENTS.
- ③ — SEE STRIKE TEMPLATE #4009 FOR 646(TOP), 624 & 636 BOTTOM STRIKES FOR 881 MONITOR STRIKE, SEE STRIKE TEMPLATE No. 4387
- ② — WE RECOMMEND THAT ALL TAPPED HOLES BE DRILLED & TAPPED IN FIELD.
- ① — TOLERANCE ON ALL DIMENSIONS ±1/64".

SARGENT ® Manufacturing Company 100 Sargent Drive New Haven, CT 06511	
DOOR MANUFACTURERS TEMPLATE: 2727 & 3727 WITH KNOB OR LEVER TRIM	RELEASE DATE 31 JAN 06 TEMPLATE NO. 4291 G