

80 series  
Parts List

RAIL ASSEMBLY

LS/LP/LR8600

Parts List

Page No. . REV.

80.6A C

1-29-2004

RAIL ASSEMBLY  
LESS END CAPS


LS/LP/LR8600	STANDARD DOGGING RAIL	L M N	68-4242 68-4243 68-4244
--------------	-----------------------------	-------------	-------------------------------

ITEM	ASSY NO.	PART NO.	DESCRIPTION	QTY
1		809 KIT **	TOUCH BAR REPLACEMENT KIT	1
2		68-0618	PUSH RAIL (F) * (USE FOR "L" RAIL)	1
		68-0616	PUSH RAIL (J) * (USE FOR "M" RAIL)	
		68-0617	PUSH RAIL (G) * (USE FOR "N" RAIL)	
3		01-0098	RETAINING RING	2
4		68-0229	PIVOT PIN PUSH RAIL *	2
5		68-3609	CONNECTING ARM ASSEMBLY	2
6	68-4242 (L)	68-0945	PIVOT PIN MOUNTING RAIL	2
7	68-4243 (M)	68-0943	BRACKET CONNECTING ARM	2
8	68-4244 (N)	01-1236	SCREW #6-32 X 3/8 *	4
9		68-1319	MOUNTING RAIL (L) *	1
		68-1320	MOUNTING RAIL (M) *	
	68-1321	MOUNTING RAIL (N) *		
10		68-0236	SPRING	2
11		68-1324	MOUNTING RAIL INSERT (L) *	1
		68-1325	MOUNTING RAIL INSERT (M) *	
		68-1326	MOUNTING RAIL INSERT (N) *	
13		68-2596	LOCKDOWN BUTTON KIT	1
24				
21		68-1315	MOUNTING PLATE	1
22		68-1316	END CAP *	1
23		97-0052	SCREW #8-32 X 5/16 *	2
-		68-4383	MOUNTING PACK INC ITEM 21	1

\* SPECIFY FINISH

\*\* 809 KIT INCLUDES TOUCH BAR AND  
ASSOCIATED HARDWARE

THIS PAGE MUST FACE 80.6B


**8 series**  
**Parts List**

**RAIL ASSEMBLY**

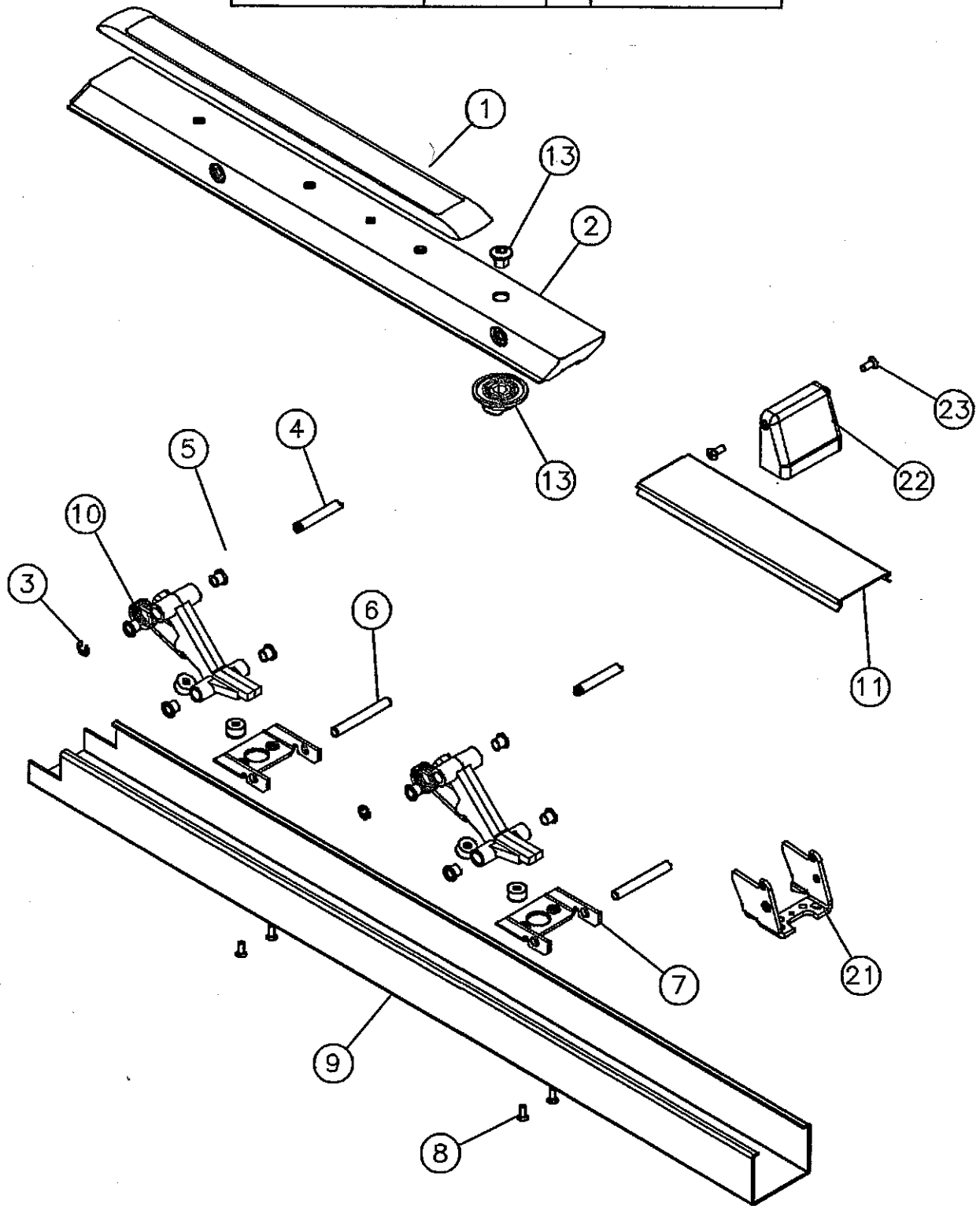
LS/LP/LR8600

**Parts List**  
 Page No. REV.  
 80.6B C  
 1-29-2004

**RAIL ASSEMBLY  
 LESS END CAPS**

LS/LP/LR8600	STANDARD DOGGING RAIL	L M N
--------------	-----------------------------	-------------

68-4242
68-4243
68-4244



THIS PAGE MUST FACE 80.6A