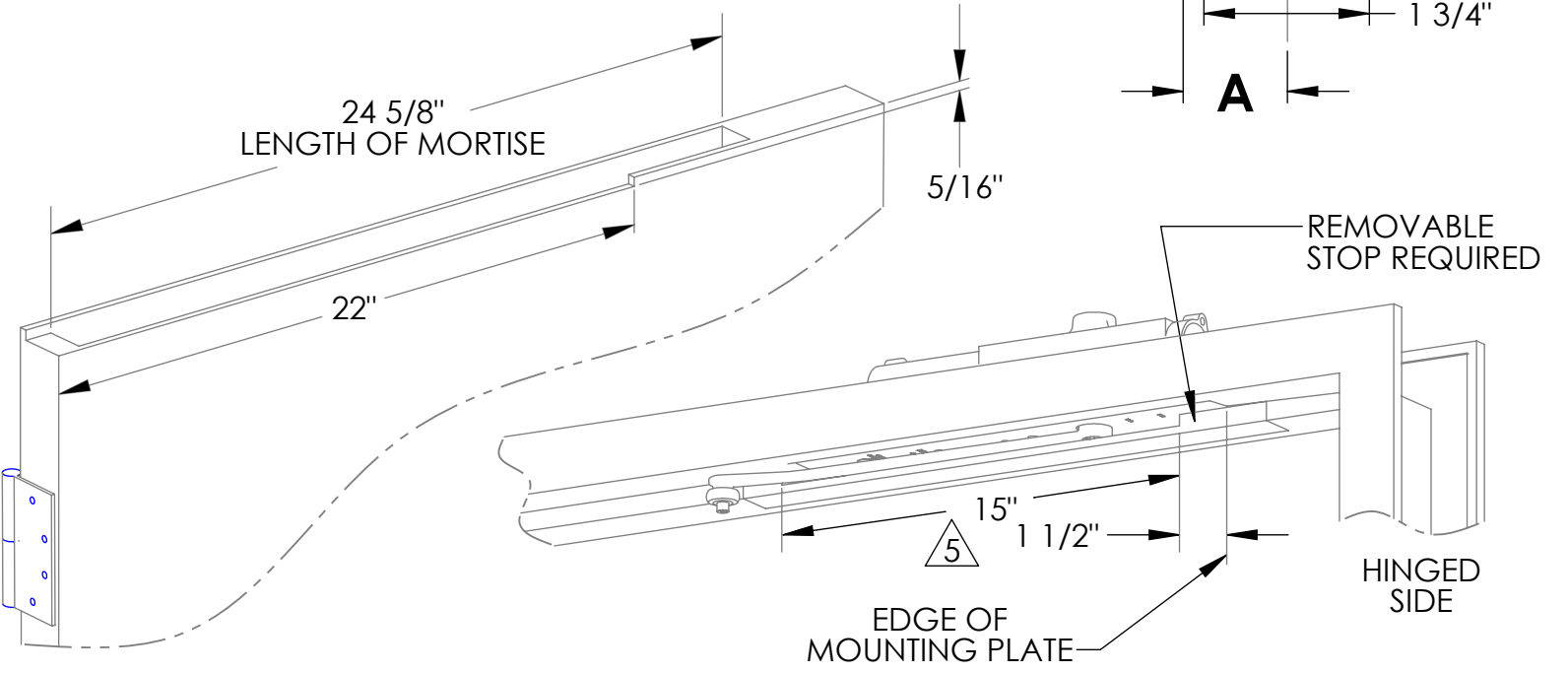
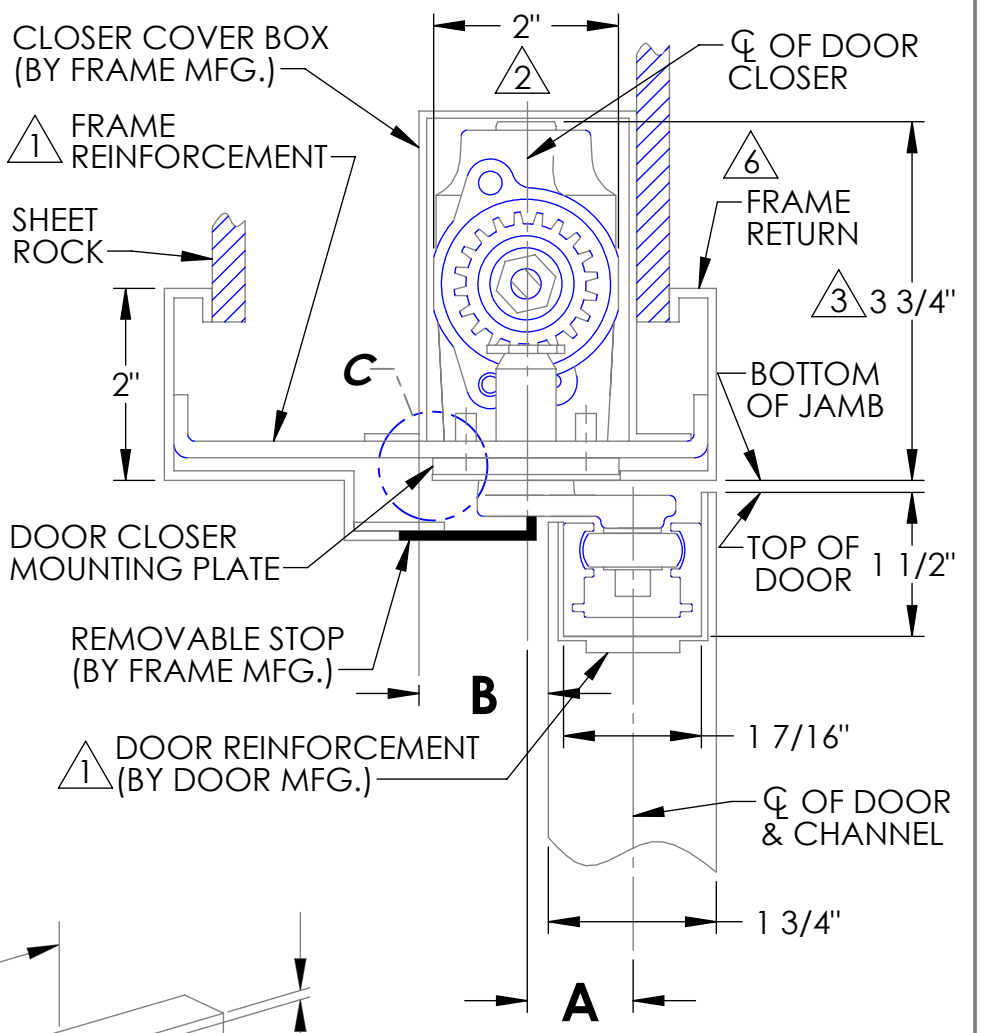
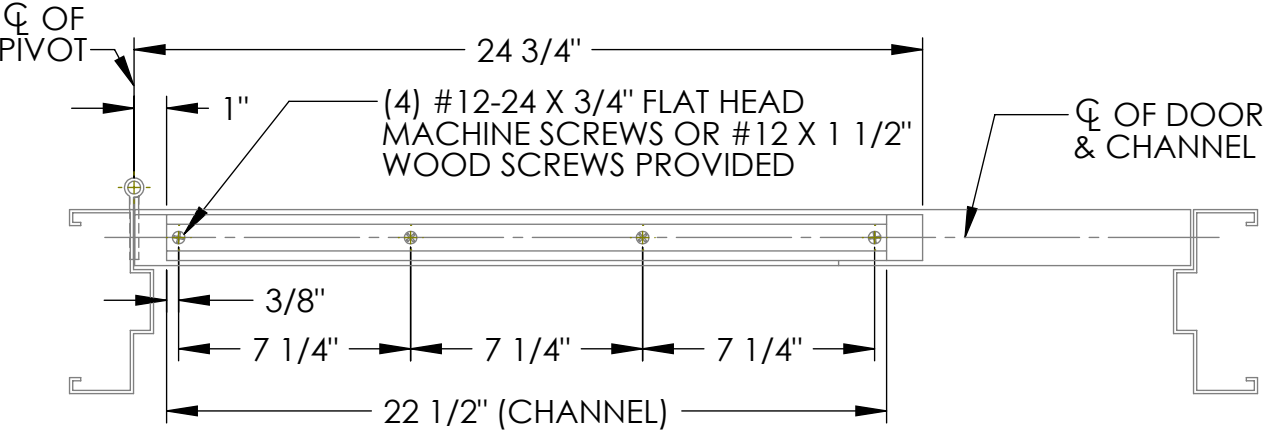
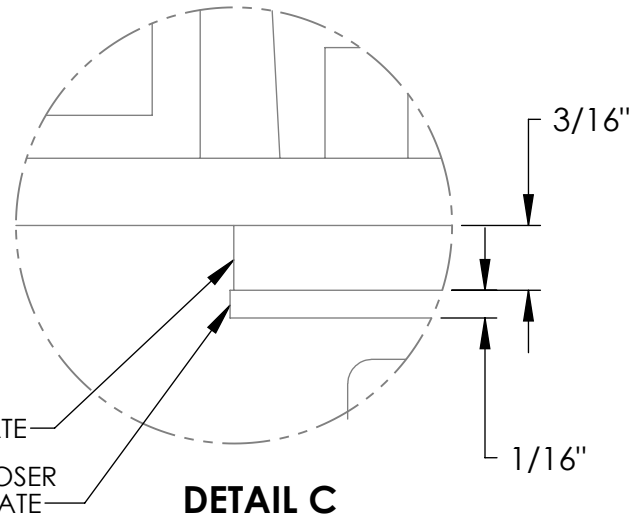


SHEET ROCK THICKNESS	A OFFSET	B CUTOUT
1/2"	1-3/16"	1-1/2"
5/8"	1-5/16"	1-5/8"



NOTES:

- ① USE 7 GAUGE REINFORCEMENT FOR HOLLOW METAL FRAMES AND 12 GAUGE REINFORCEMENT FOR HOLLOW METAL DOORS.
- ② MINIMUM OPENING REQUIRED FOR CLOSER BODY. A 15 1/2" x 2" CUTOUT IS REQUIRED IN THE FRAME.
- ③ MAXIMUM DEGREE OF OPENING 180° (FRAME PERMITTING). H, HB AND OB MODELS WILL HAVE REDUCED DEGREE OF OPENING
- ④ LEFT HAND DOOR AND CLOSER SHOWN, RIGHT HAND OPPOSITE.
- ⑤ A SECTION OF THE REMOVEABLE STOP MUST BE LEFT OPEN FOR ARM CLEARANCE.
- ⑥ FRAME RETURN OF 1/2"

SARGENT® Manufacturing Company
100 Sargent Drive New Haven, CT 06511

DATA SHEET: 268 OR 267 OVERHEAD CONCEALED CLOSER WITH BUTT HINGES 2" FACE FRAME 1-3/4" THICK DOOR	RELEASE DATE 12-8-16 TEMPLATE NO. A7779 D
--	--