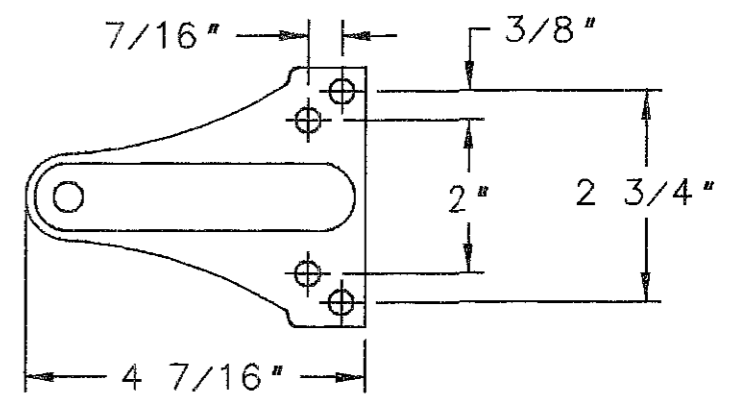
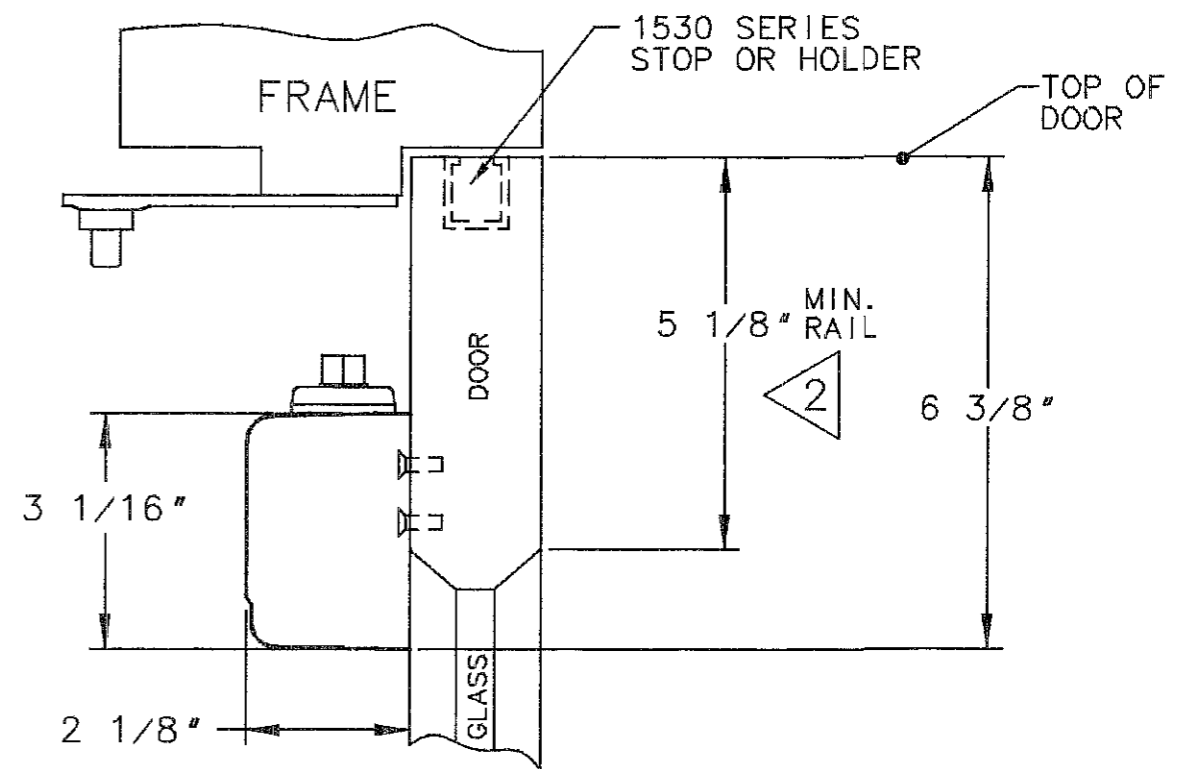


MAXIMUM DEGREE OF DOOR OPENING	DIM 'A'	DIM 'B'
120°	3 3/4"	9 1/2"
180°	1 3/8"	7 1/8"



JP9 FOOT BRACKET DETAIL

#12-24 X 5/8" FLAT HEAD MACHINE SCREWS OR #12 X 1 3/4" SCREWS PROVIDED



NOTES

1. REINFORCE METAL DOORS AND FRAMES PER ANSI A250.8 AND SDI-100 STANDARDS, 12 GAUGE RECOMMENDED.
2. FOR THIN TOP RAIL DOORS, USE 1331-D PLATE. SEE TEMPLATE A7735.
3. FOR 1530 INSTALLATION, SEE TEMPLATES A7485 THRU A7487.

SARGENT® Manufacturing Company
 100 Sargent Drive New Haven, CT 06511

DATA SHEET: 1331 DOOR CLOSER WITH JP9 ARM AND 1530 OVERHEAD STOP, PARALLEL ARM APPLICATION

RELEASE DATE
 24 MAY 04

TEMPLATE NO.
 A7748 A