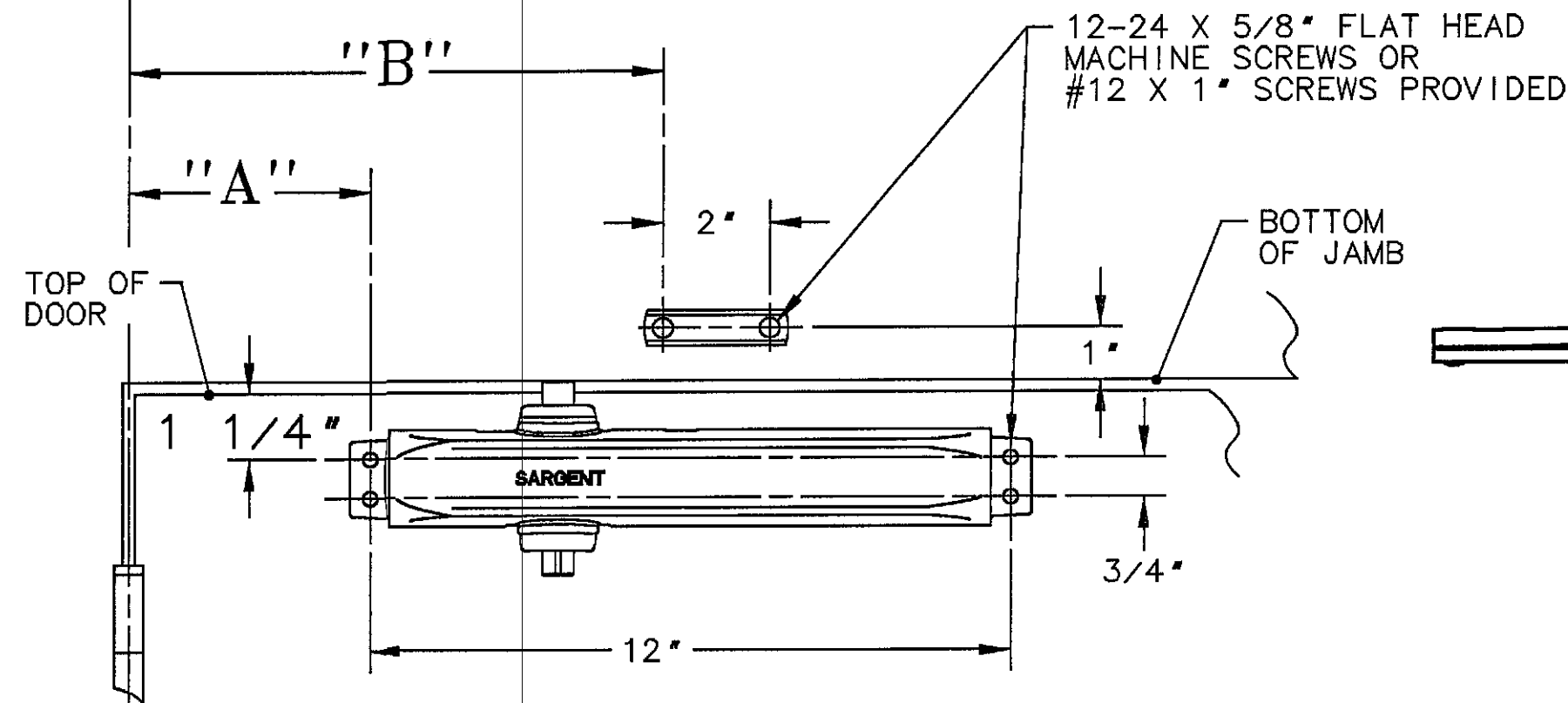
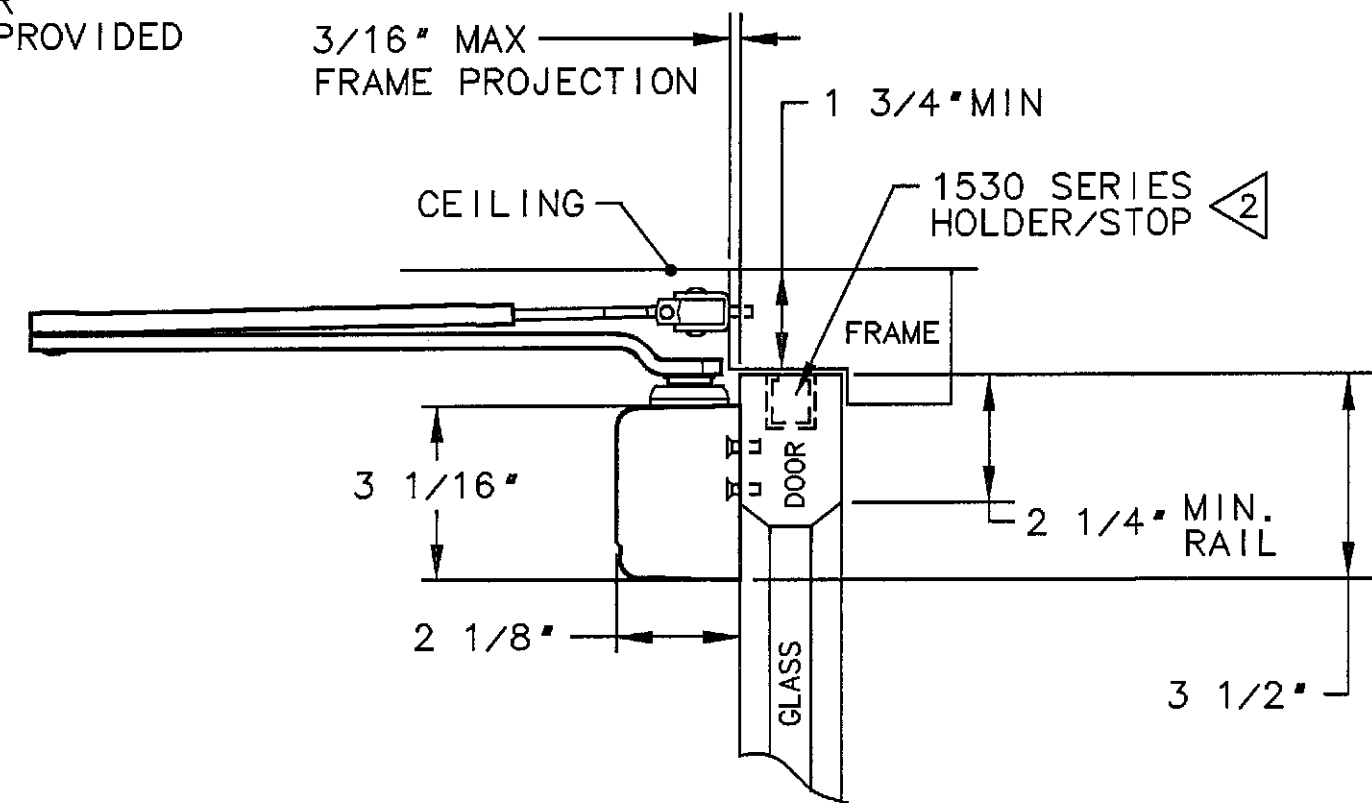


RIGHT HAND DOOR SHOWN  
LEFT HAND OPPOSITE



3/16" MAX  
FRAME PROJECTION



MAXIMUM DEGREE OF DOOR OPENING	DIM 'A'	DIM 'B'
120°	6 1/2"	12"
180°	4 5/8"	10 1/8"

NOTES

1. REINFORCE METAL DOORS & FRAMES PER ANSI A250.8 AND SDI-100 STANDARDS, 12 GAUGE RECOMMENDED.
2. FOR 1530 INSTALLATION, SEE TEMPLATES A7485-A7487.

**SARGENT® Manufacturing Company**  
100 Sargent Drive New Haven, CT 06511

DATA SHEET:  
1331 DOOR CLOSER WITH JO ARM  
AND 1530 SERIES OVERHEAD STOP  
STANDARD APPLICATION

RELEASE DATE  
24 MAY 04

TEMPLATE NO.  
A7747 A