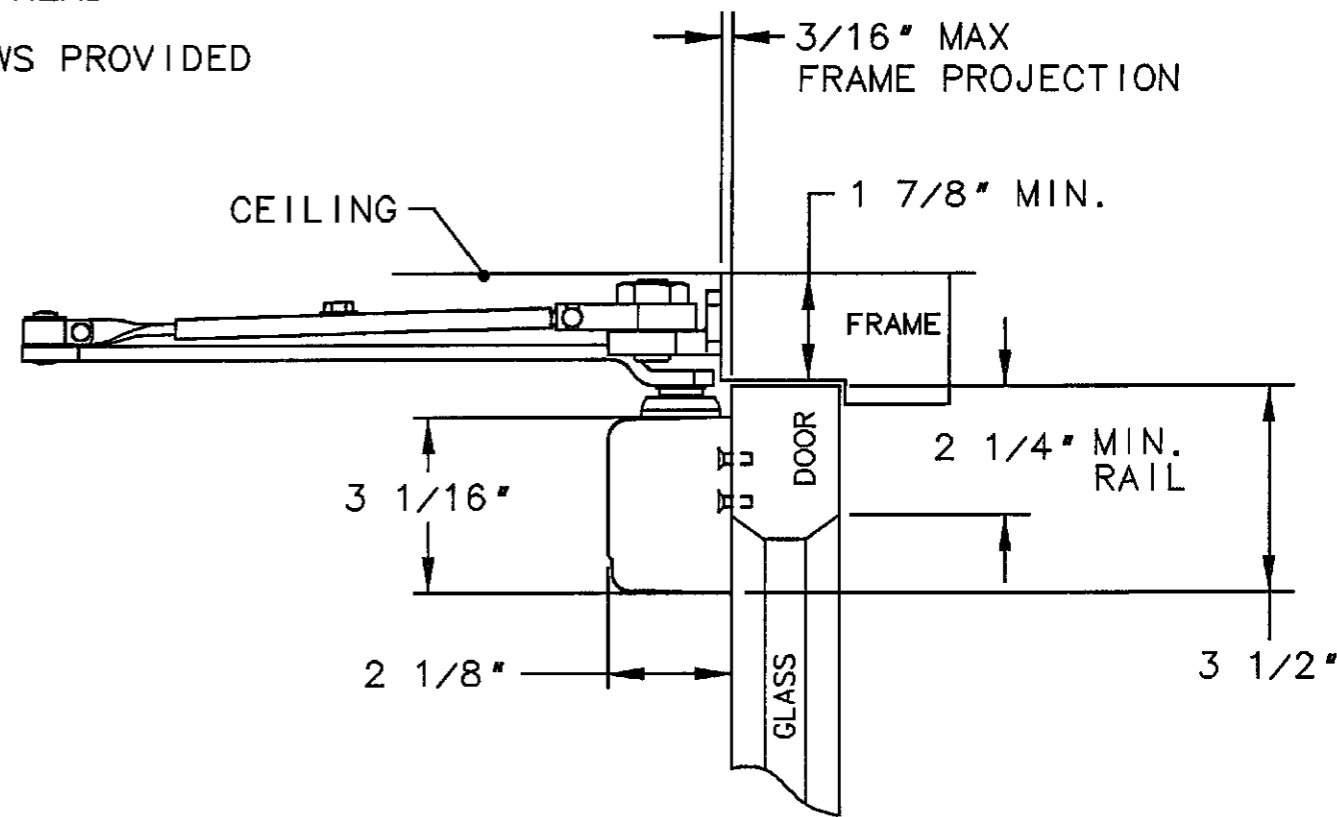
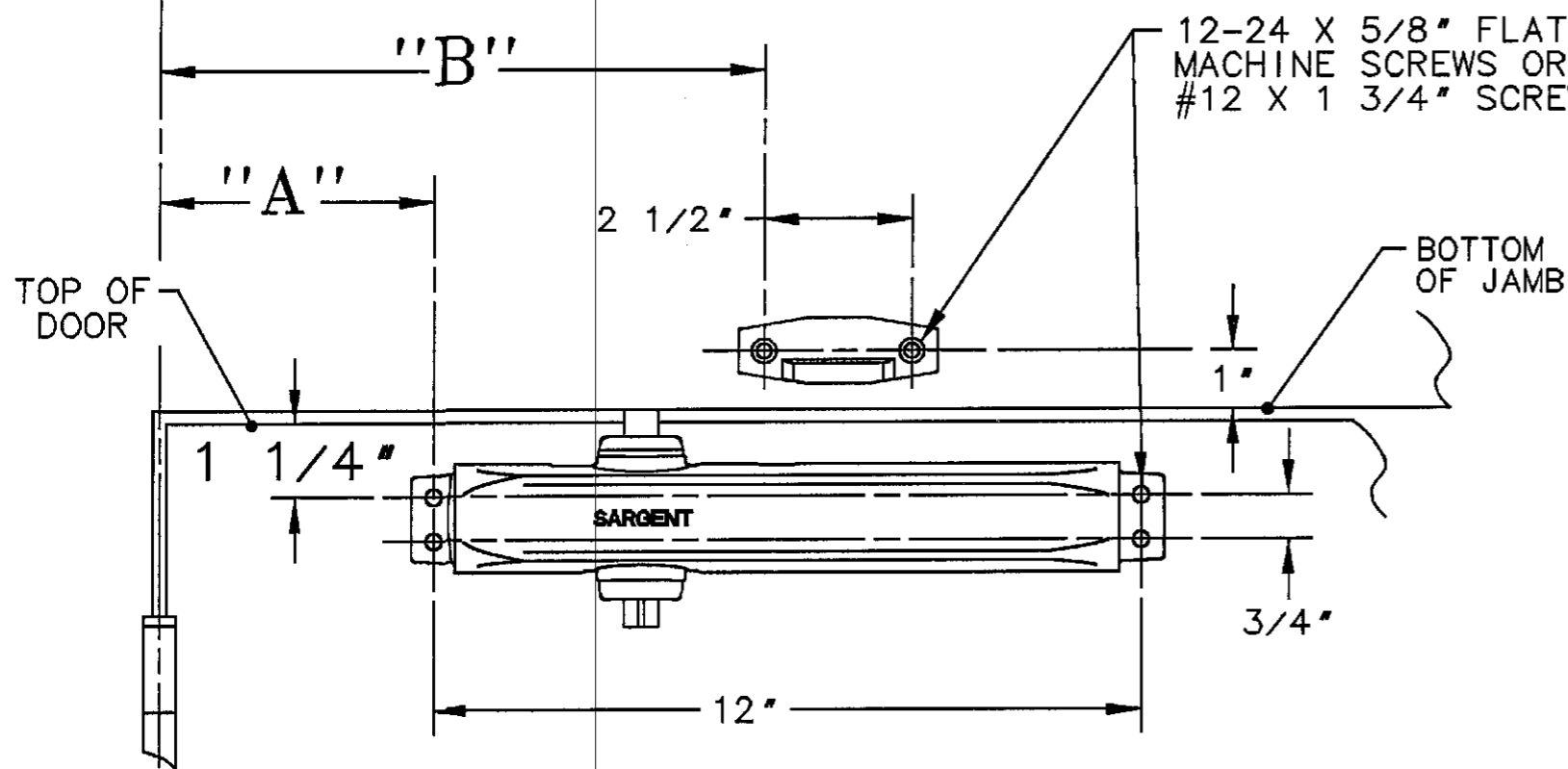


RIGHT HAND DOOR SHOWN
LEFT HAND OPPOSITE



MAXIMUM DEGREE OF DOOR OPENING	DIM 'A'	DIM 'B'
120°	6 1/2"	12"
180°	4 5/8"	10 1/8"

NOTES

1. REINFORCE METAL DOORS & FRAMES PER ANSI A250.8 AND SDI-100 STANDARDS, 12 GAUGE RECOMMENDED.

SARGENT® Manufacturing Company
100 Sargent Drive New Haven, CT 06511

DATA SHEET:
1331 DOOR CLOSER WITH JH HOLD
OPEN ARM, STANDARD APPLICATION

RELEASE DATE
24 MAY 04
TEMPLATE NO.
A7744 A