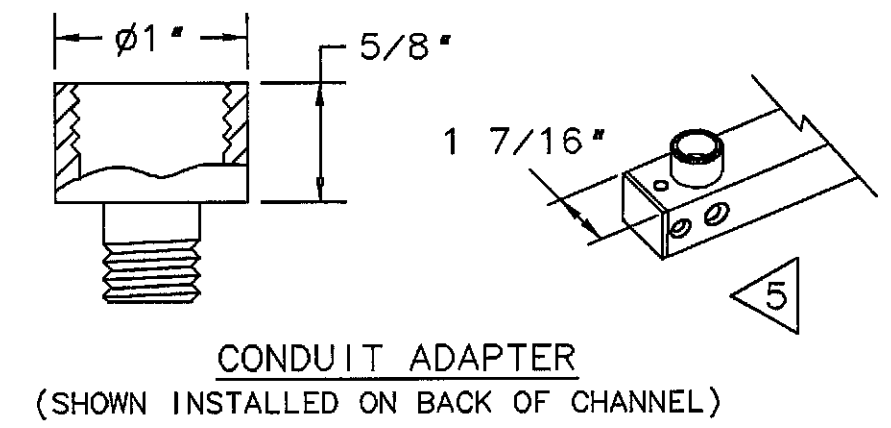


NOTES

1. REINFORCE METAL DOORS AND FRAMES PER ANSI 250.8 & SDI-100, 12 GAUGE RECOMMENDED.
2. LEFT HAND DOOR SHOWN, RIGHT HAND OPPOSITE.
3. ADJUST HOLD OPEN ANGLE FROM 85° TO 110° BY CHANGING ARM LENGTH.
4. FOR THIN RAIL DOORS (WIDER THAN 2 5/8"), USE 351-D DROP PLATE, SEE TEMPLATE A6745.
5. (3) HOLES ARE PROVIDED FOR THE CONDUIT CONNECTION. AN ADAPTER IS INCLUDED THAT ACCEPTS STANDARD 1/2" THREADED CONDUIT.



CONDUIT ADAPTER

(SHOWN INSTALLED ON BACK OF CHANNEL)

SARGENT® Manufacturing Company 100 Sargent Drive New Haven, CT 06511	
DATA SHEET: 351EHT PUSH SIDE APPLICATION	EFFECTIVE DATE NOV. 18, 03 TEMPLATE NO. A7648 B