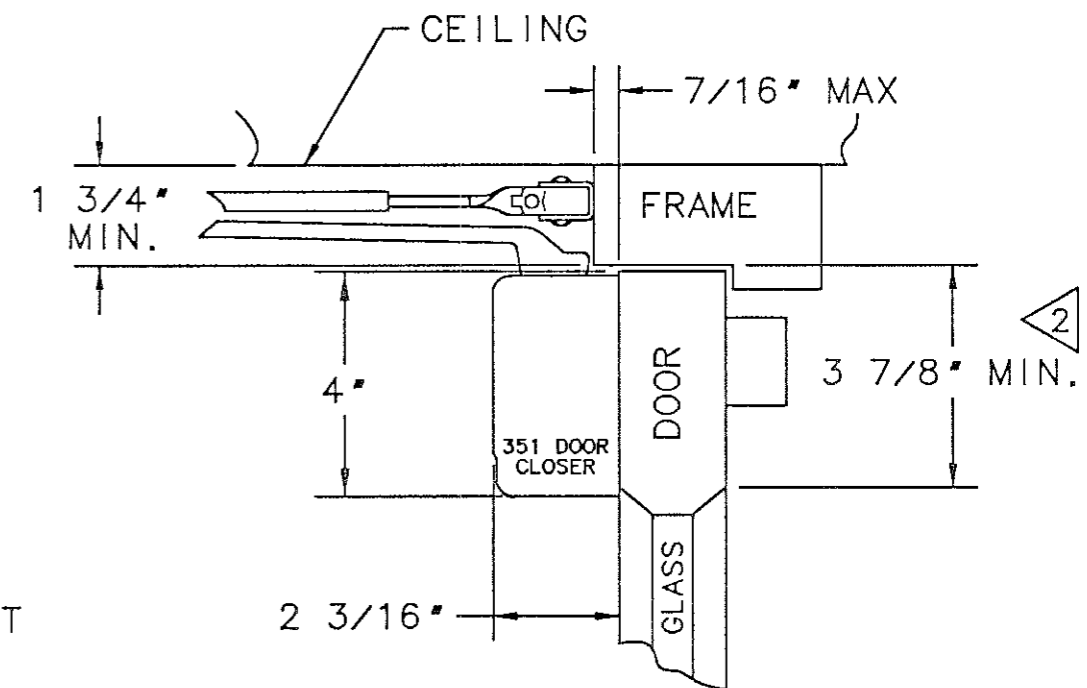
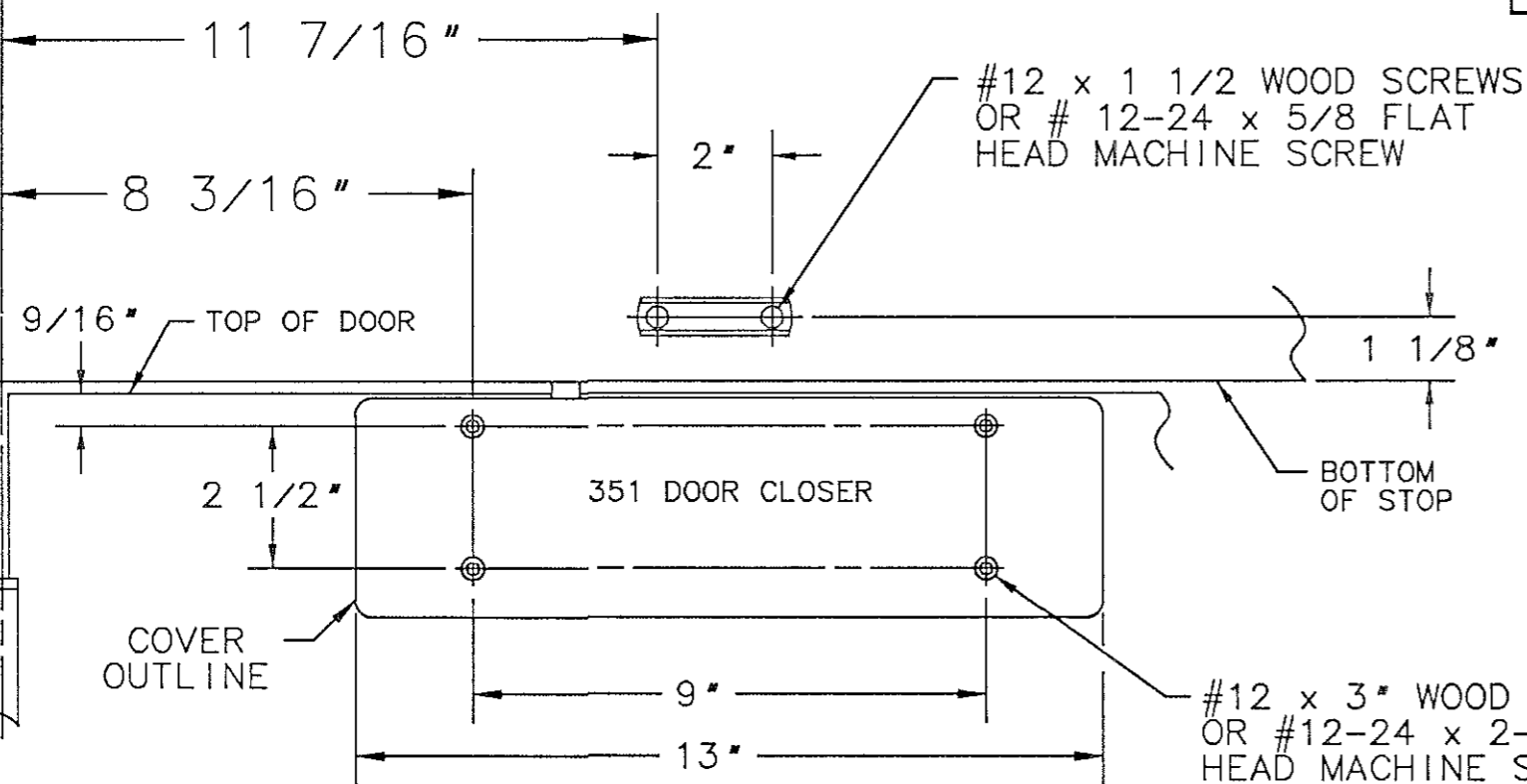
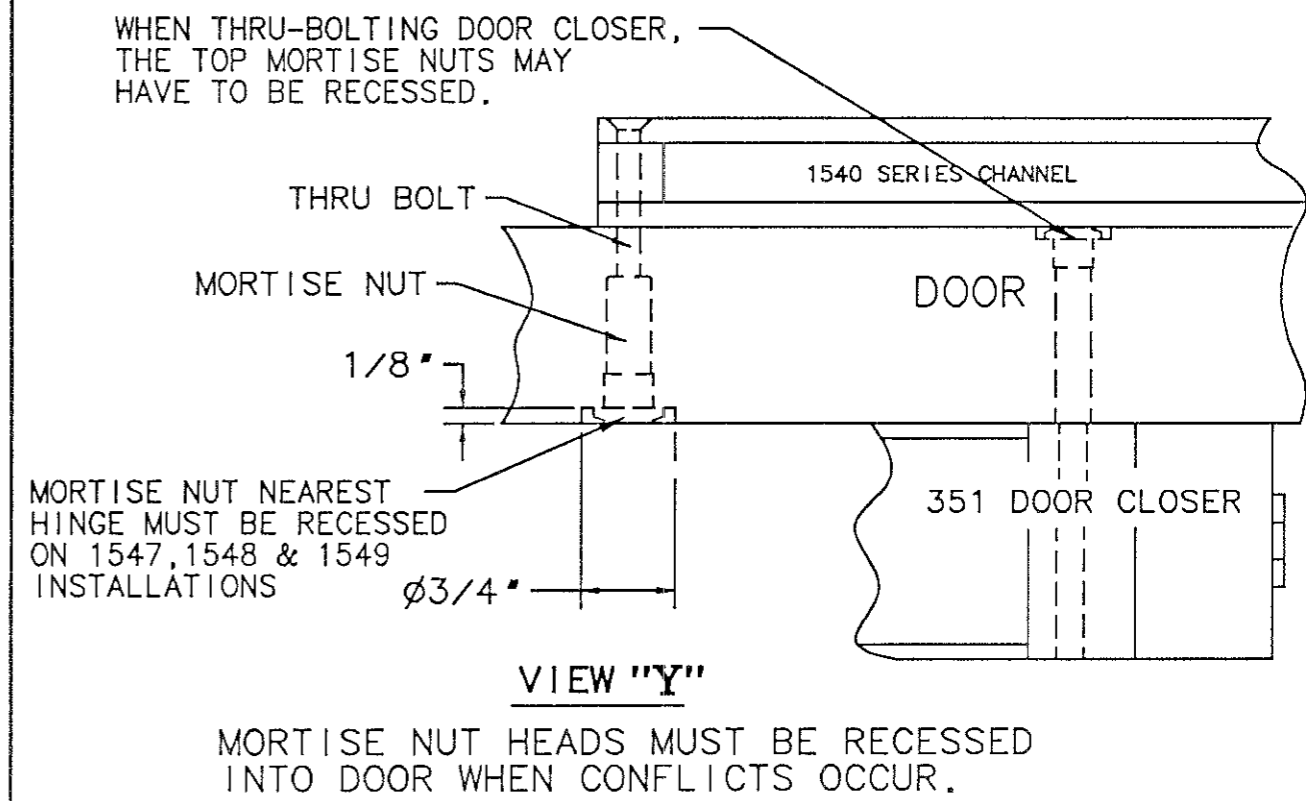


RIGHT HAND DOOR SHOWN
LEFT HAND OPPOSITE



NOTES

1. REINFORCE METAL DOORS AND FRAMES PER ANSI A250.8 AND SDI-100 STANDARDS, 12 GAUGE RECOMMENDED.
2. FOR THIN RAIL DOORS, USE 351-D DROP BRACKET SEE TEMPLATE A6745.
3. FOR 1546-1549 INSTALLATION, SEE TEMPLATES A7488 - A 7490.

SARGENT[®] Manufacturing Company 100 Sargent Drive New Haven, CT 06511	
DATA SHEET: 351 SERIES CLOSER WITH STANDARD APPLICATION "O" ARM AND 1546-1549H,S,F SERIES HOLDER/STOP	EFFECTIVE DATE APRIL 02
	TEMPLATE NO. A7534 B