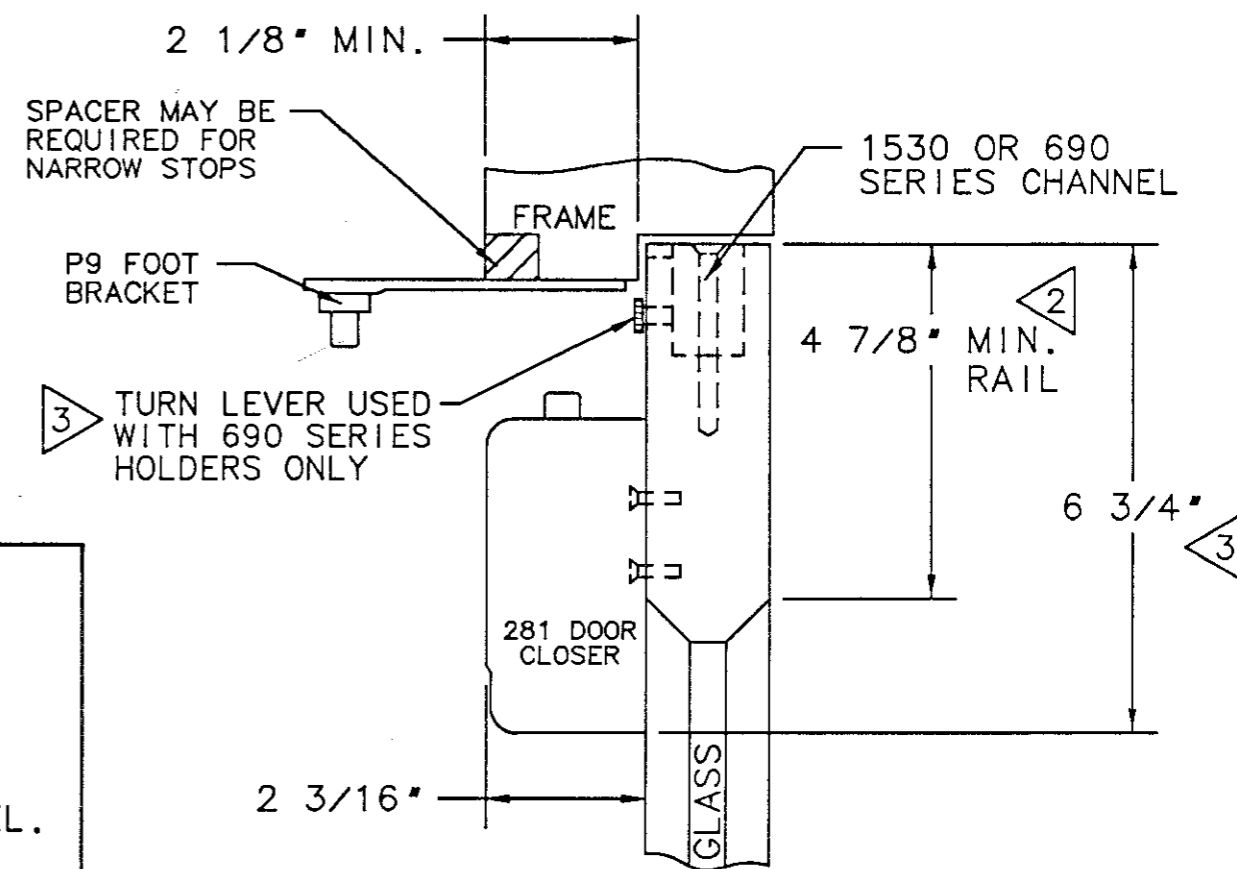


P9 FOOT BRACKET DETAIL



NOTES

1. REINFORCE METAL DOORS AND FRAMES PER ANSI A250.8 & SDI-100, 12 GAUGE RECOMMENDED.
2. FOR THIN TOP RAIL DOORS, USE 281-D DROP PLATE, SEE TEMPLATE A7244
3. 281-J COVER PLATE MAY BE USED WHEN CLOSER IS VISIBLE THROUGH GLASS PANEL.
4. FOR 1536-1539 INSTALLATION, SEE TEMPLATES A7485 - A7487.
5. FOR 697-699 INSTALLATION, SEE TEMPLATES A7482 - A7484.
6. THE 690 TURN LEVER MAY BE INSTALLED ON EITHER SIDE OF DOOR.
7. LEFT HAND DOOR SHOWN, RIGHT HAND OPPOSITE.

SARGENT® Manufacturing Company
100 Sargent Drive New Haven, CT 06511

DATA SHEET: 281 SERIES CLOSER
WITH P9 ARM & 1536-1539 OR
697-699 SERIES HOLDER/STOP

RELEASE DATE
APRIL 02

TEMPLATE NO.
A7515 B