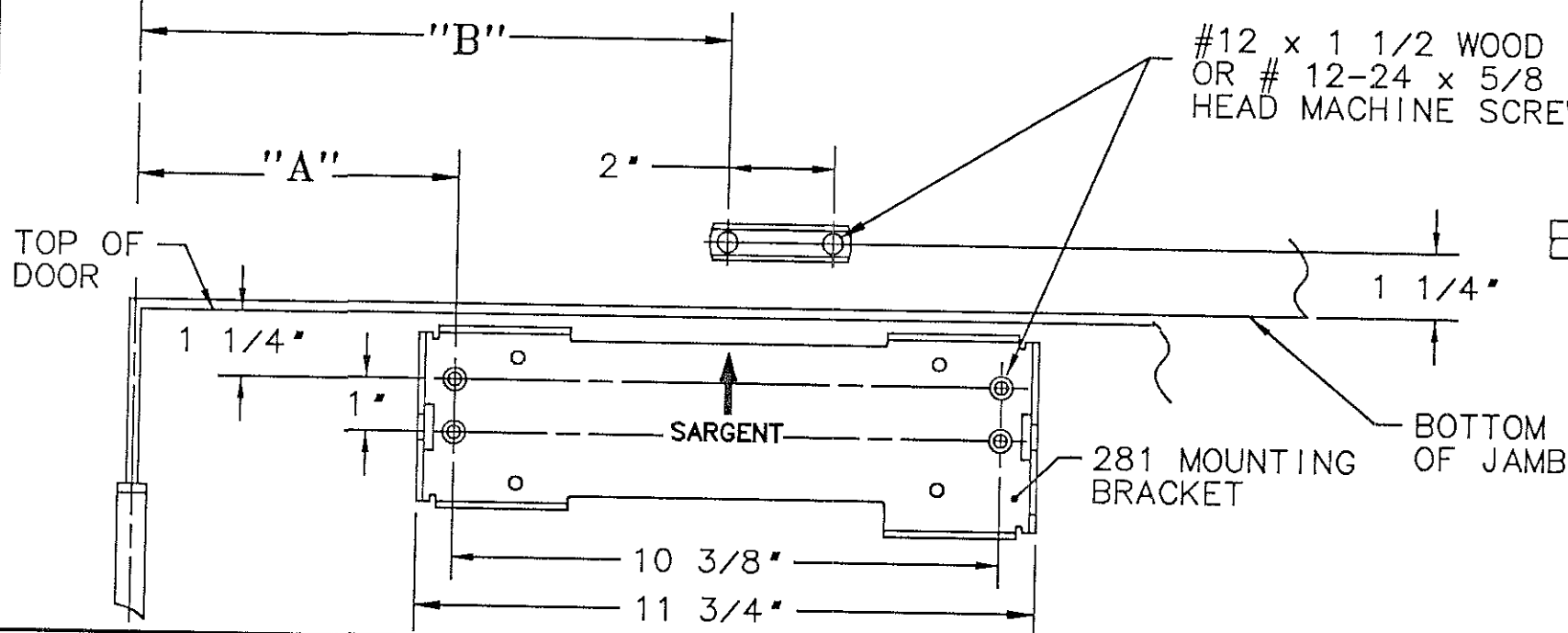


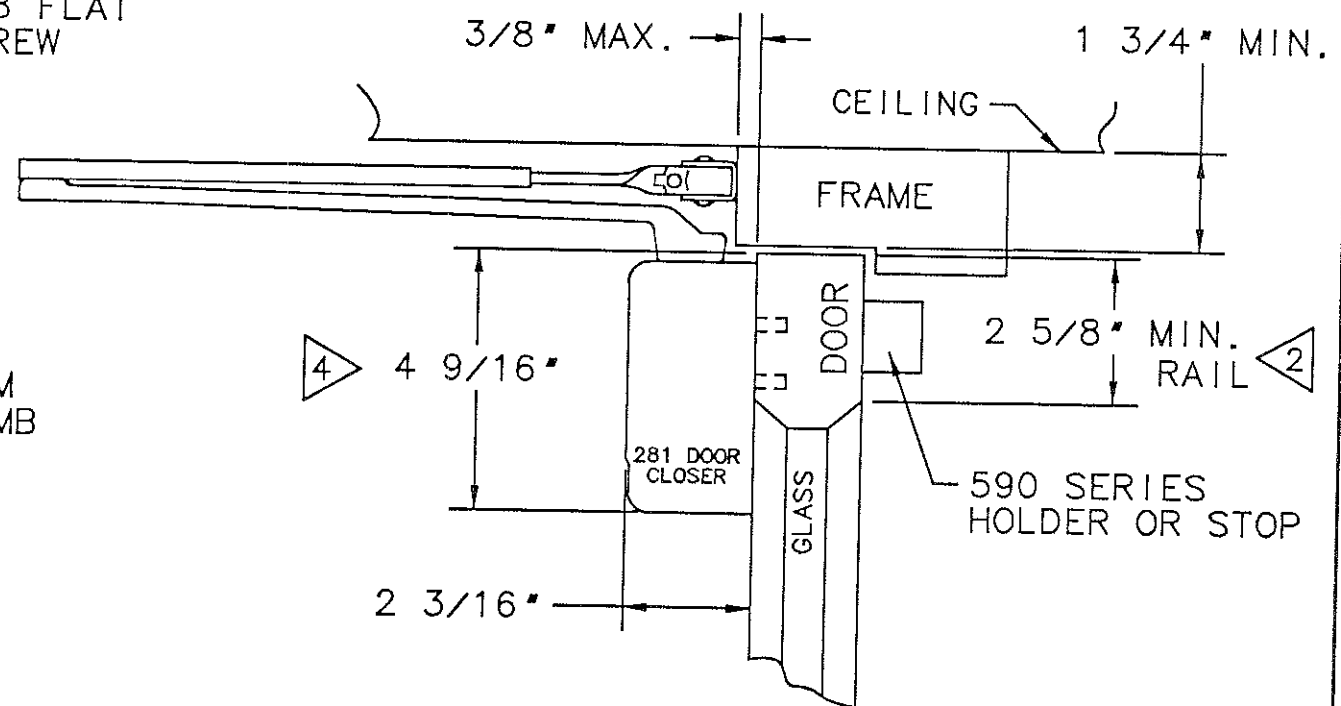
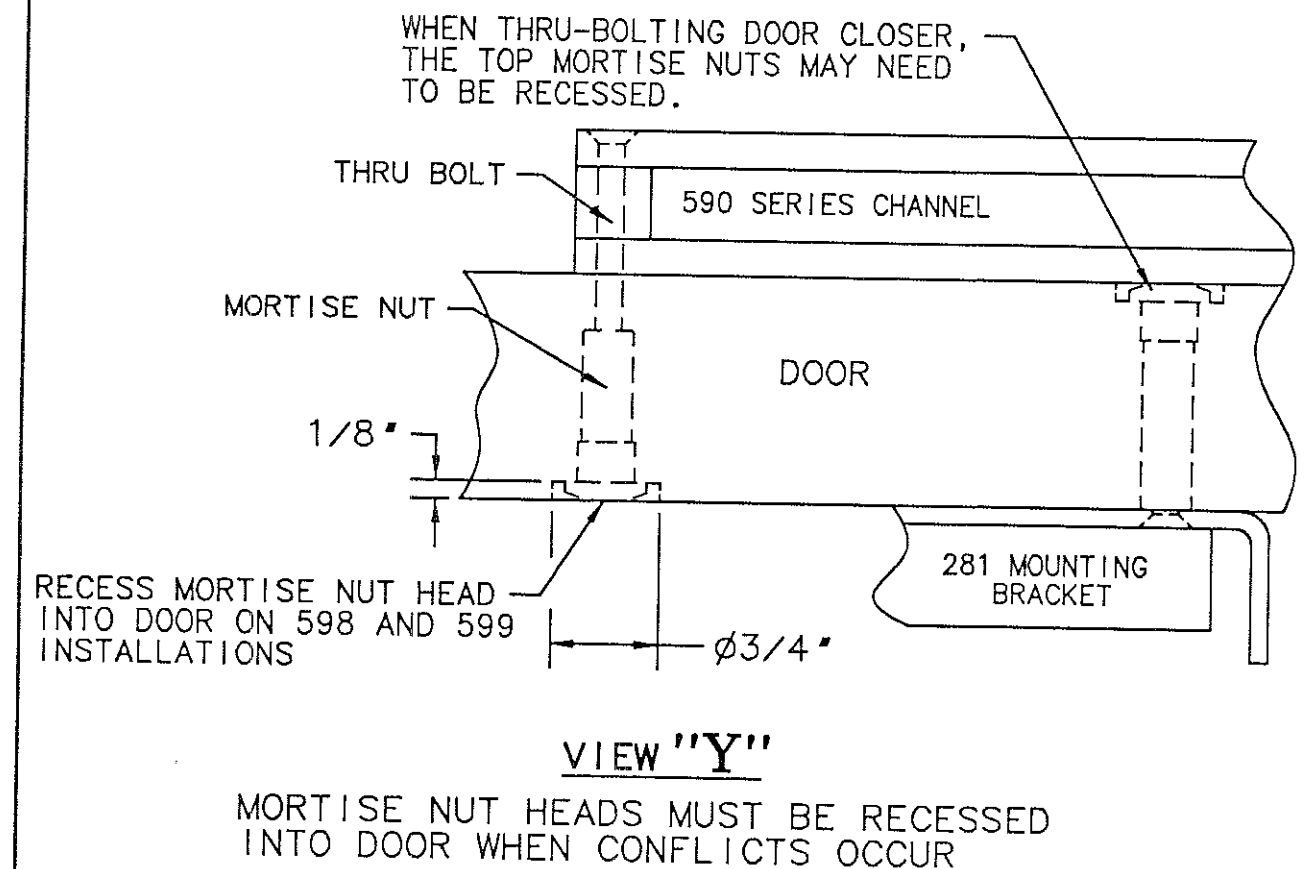
RIGHT HAND SHOWN,
LEFT HAND OPPOSITE.

HOLDER/STOP MODEL NO.	"A"	"B"
597H & 597S	7"	12 1/8"
598H & 598S	5"	10 1/8"
599H & 599S	7"	12 1/8"



NOTES

1. REINFORCE METAL DOORS AND FRAMES PER ANSI A250.8 AND SDI-100 STANDARDS, 12 GAUGE RECOMMENDED.
2. FOR THIN TOP RAIL DOORS, USE 281-D DROP BRACKET, SEE TEMPLATE A7244.
3. FOR 597-599 INSTALLATION, SEE TEMPLATES A7479 - A7481.
4. 281-J COVER PLATE MAY BE USED WHEN CLOSER IS VISIBLE THROUGH GLASS.



SARGENT® Manufacturing Company
100 Sargent Drive New Haven, CT 06511

DATA SHEET: 281 SERIES CLOSER WITH STANDARD APPLICATION O ARM AND 597-599 SERIES HOLDER/STOP	EFFECTIVE DATE APRIL 02
	TEMPLATE A7512 B