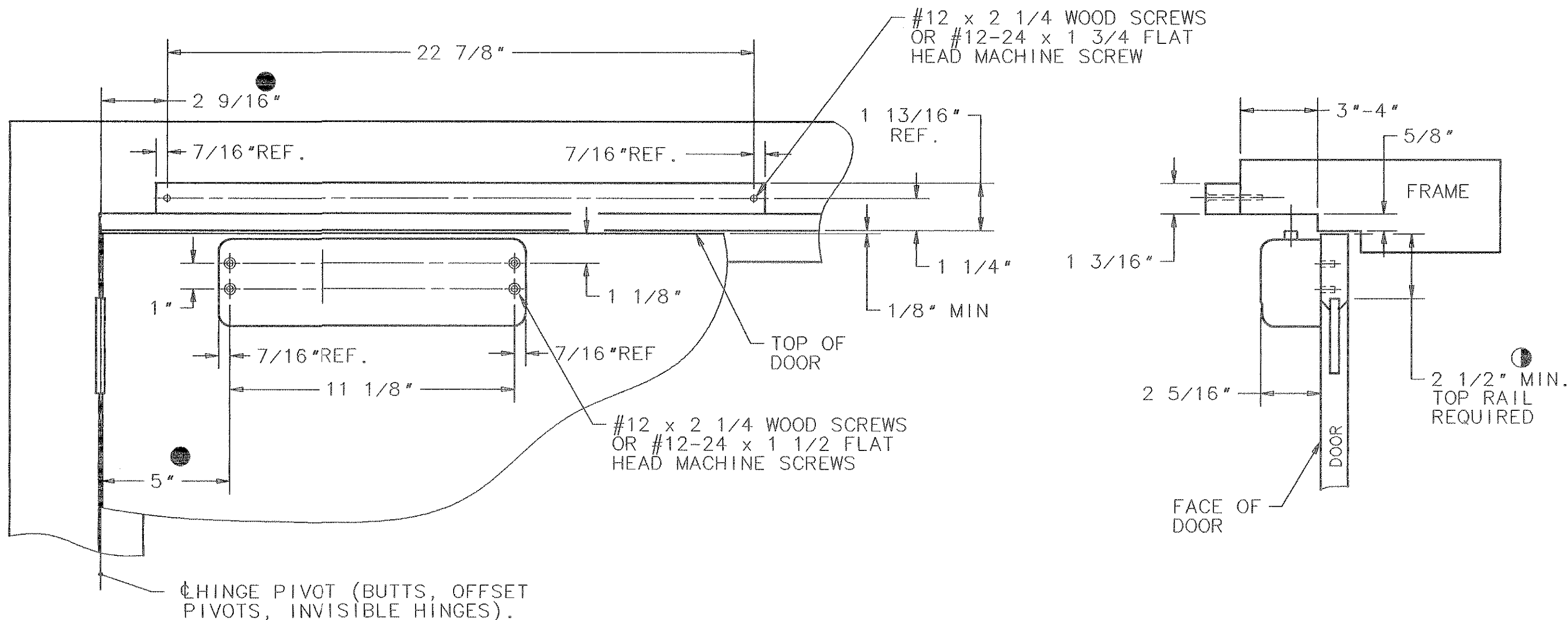


DESCRIPTION	ARM TYPE	MAXIMUM DOOR OPENING		RANGE OF HOLD OPEN
		WITH BUMPER	WITHOUT BUMPER	
REGULAR ARM	OD	120°	160°	
HOLDER ARM	HD	120°	160°	85° TO 120°



NOTES:

1. RIGHT HAND DOOR SHOWN, LEFT HAND DOOR OPPOSITE.
2. 12 GAGE MIN. REINFORCEMENT REQUIRED FOR METAL DOORS AND FRAMES.
3. - THIS DIMENSION IS TAKEN FROM HINGE EDGE OF DOOR FOR INVISIBLE HINGERS.
4. - TO OPEN DOOR 120° REMOVE BUMPER STOP.
5. - IF DOOR AND FRAME CONDITION PERMIT.
6. - SPACE REQUIRED TO MOUNT CLOSER ON RAIL. IF SPACE IS LESS THAN SHOWN USE DATA SHEET A7168 FOR DETAILS.

SARGENT MFG. COMPANY		NEW HAVEN, CONN. 06511	
DATA SHEET: 1430 SERIES TRACK TYPE APPLICATION DOUBLE EGRESS APMS (OD/HD)		RELEASE DATE JAN 00	TEMPLET NO. A7419 A