

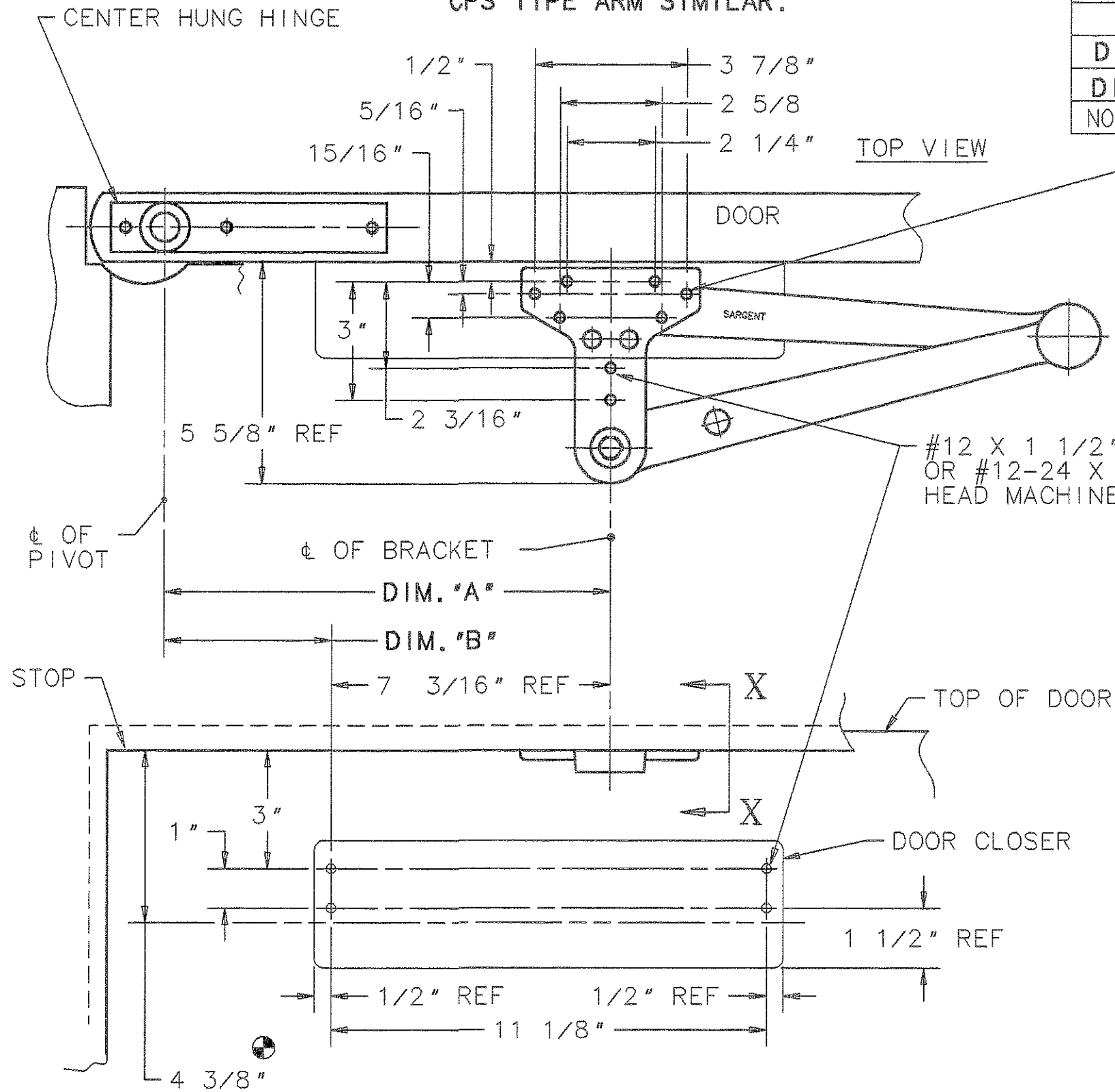
CPSH TYPE ARM ASSEMBLY SHOWN.
CPS TYPE ARM SIMILAR.

NOTE: SEE DATA SHEET A7374 FOR BUTTS, OFFSET PIVOTS OR SWING CLEAR HINGES.

DEGREE OR DOOR OPENING AT "HOLD OPEN"

	85°	90°	95°	100°	105°	110°
DIM. "A"	11 3/16"	10 1/2"	9 13/16"	9 1/8"	8 5/8"	8 1/8"
DIM. "B"	4"	3 5/16"	2 5/8"	1 15/16"	1 7/16"	15/16"

NOTE: "DEAD STOP" OCCURS APPROXIMATELY 3° BEYOND "HOLD OPEN"



CUSION STOP IS ATTACHED TO BRACKET AND FRAME BY TWO #12-24 X 1 3/4" AND ONE #12-24 X 1" FLAT HEAD MACHINE SCREWS OR TWO #12 X 2 1/4" AND ONE #12 X 1 1/2" WOOD SCREWS

SUITABLE SPACER (BY OTHERS) MUST BE USED WHEN STOP IS LESS THAN 3" IN WIDTH

#12 X 1 1/2" WOOD SCREWS OR #12-24 X 5/8" FLAT HEAD MACHINE SCREWS

FOOT BRACKET

A MINIMUM OF SEVEN MOUNTING SCREWS MUST BE USED TO MOUNT FOOT BRACKET

SECTION X-X

125-V BRACKET MUST BE USED WHEN FRAME IS NARROW. USE SARGENT'S 125-VF BRACKET (NOT SHOWN) FOR FLUSH FRAME CONDITIONS

FOOT BRACKET

NOTES:

1. LEFT HAND DOOR SHOWN. RIGHT HAND OPPOSITE.
2. 12 GAGE MIN. REINFORCEMENT REQUIRED FOR METAL DOORS AND FRAMES.
3. Ⓞ SPACE REQUIRED TO MOUNT CLOSER ON TOP RAIL. IF SPACE IS LESS THAN SHOWN USE 1430-D DROP PLATE. SEE DATA SHEET A7168 FOR DETAILS.

SARGENT MANUFACTURING COMPANY

NEW HAVEN, CONN. 06511

DATA SHEET: 1430 SERIES DOOR CLOSERS PARALLEL HEAVY DUTY ARM APPLICATIONS - CPS & CPSH ARMS (CENTER HUNG PIVOTS)

EFFECTIVE DATE
JANUARY, 00
TEMPLET NO.
A7384 A