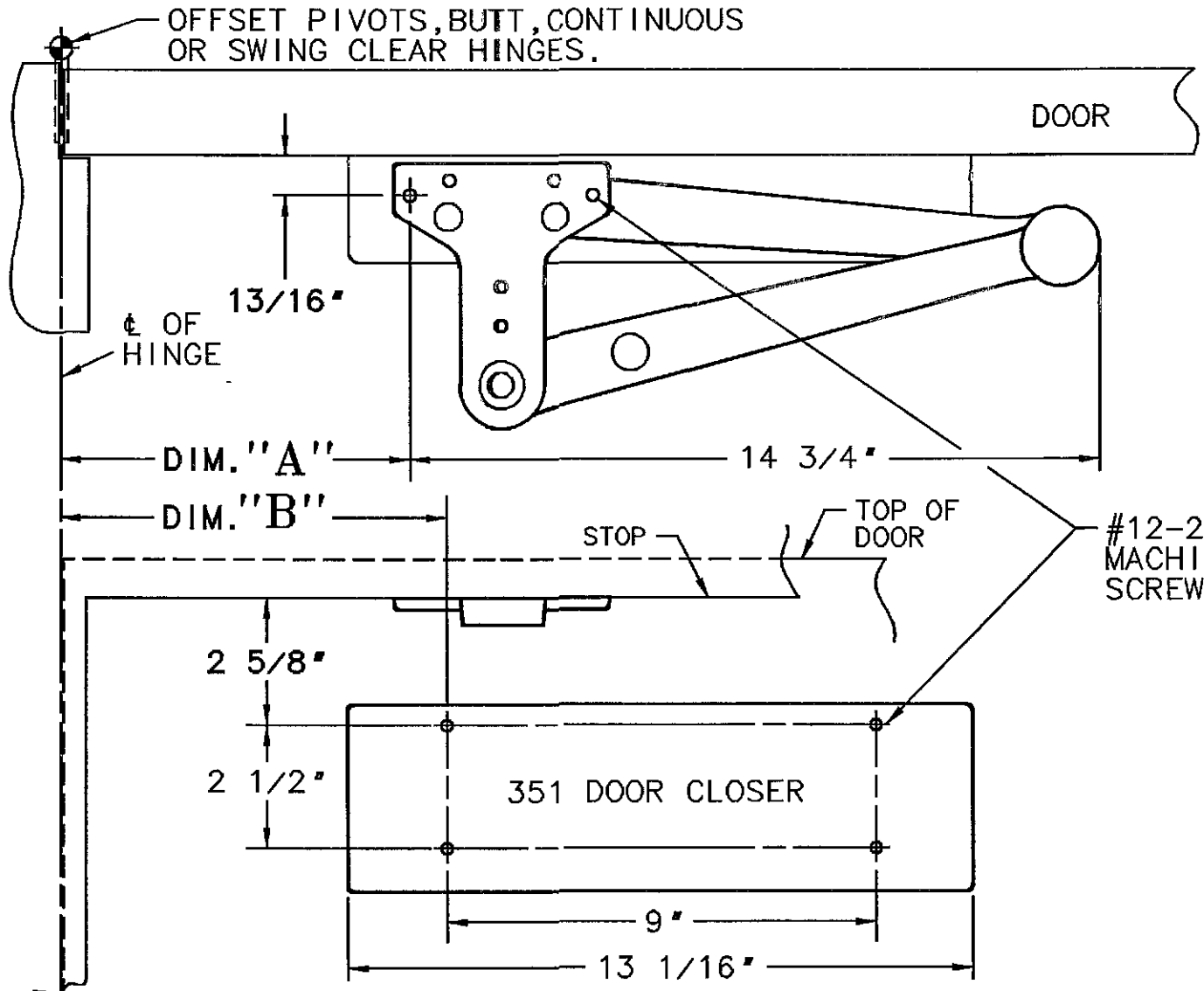


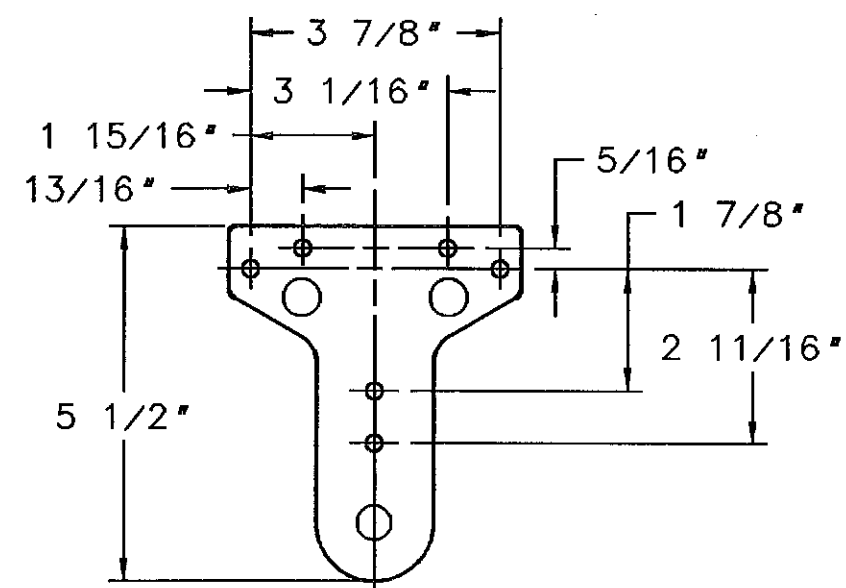
DEGREE OF DOOR OPENING AT "HOLD OPEN" \triangleleft 4 \triangleleft 5						
	85°	90°	95°	100°	105°	110°
DIM."A"	10 9/16"	9 7/8"	9 3/16"	8 5/8"	8 1/8"	7 5/8"
DIM."B"	11 5/16"	10 5/8"	9 15/16"	9 3/8"	8 7/8"	8 3/8"



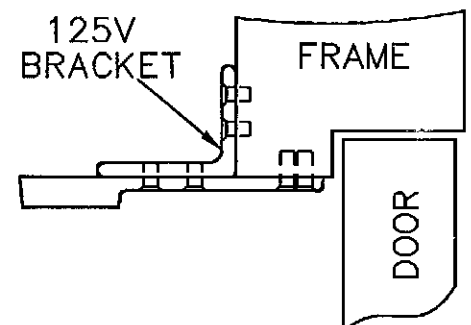
#12-24 X 2 1/4" FLAT HEAD MACHINE SCREWS OR #12 X 3 1/4" SCREWS PROVIDED

NOTES:

1. REINFORCE METAL DOORS AND FRAMES PER ANSI A250-8 AND SDI-100 STANDARDS, 12 GAUGE RECOMMENDED.
- \triangleleft 2. FOR THIN RAIL DOORS, USE 351-D PLATE, SEE DATA SHEET A6745.
3. LEFT HAND DOOR SHOWN. RIGHT HAND OPPOSITE.
- \triangleleft 4. DIMENSIONS A & B ARE BASED ON A 4 1/2" BUTT HINGE. IF A 3 1/2" OR 6" BUTT HINGE IS USED, THE HOLD OPEN ANGLE WILL CHANGE BY LESS THAN 1/2°.
- \triangleleft 5. DEAD STOP OCCURS APPROX. 3° BEYOND HOLD OPEN.
6. IF DOOR CLOSER BODY INTERFERES WITH LIGHT KIT, USE 351-B PLATE. SEE DATA SHEET A6746 FOR PLATE DIMENSIONS ONLY.
- \triangleleft 7. WHEN SOFFIT IS LESS THAN 3" USE 125V BRACKET.

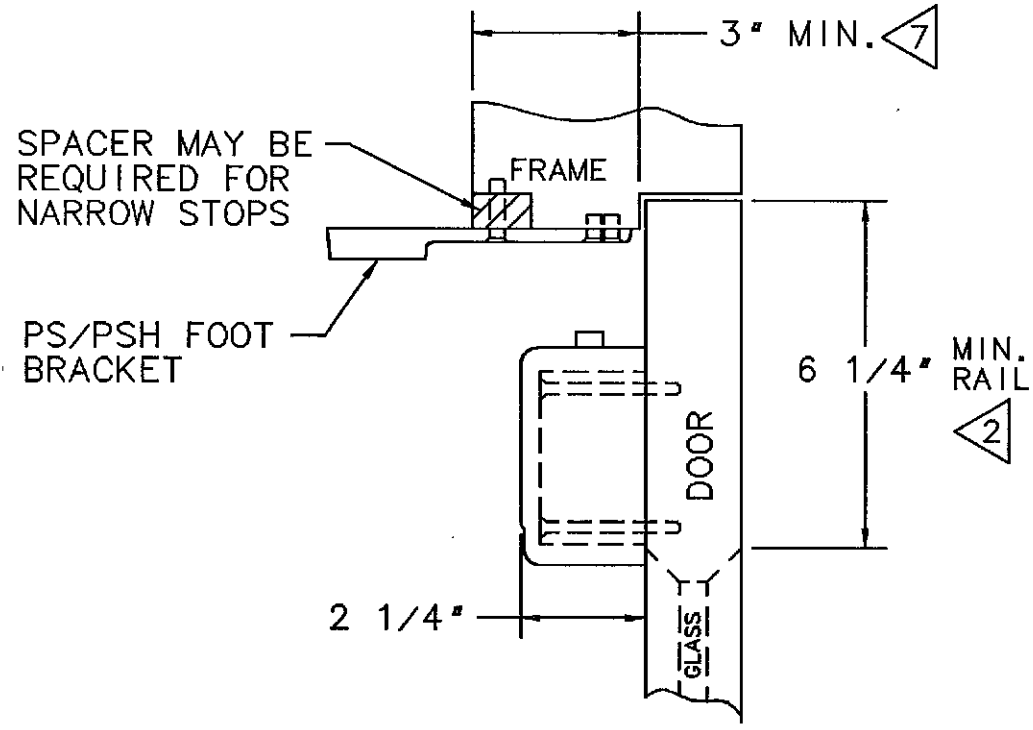


PS/PSH FOOT BRACKET DETAIL



NARROW FRAME INSTALLATION

USE 125VF BRACKET (NOT SHOWN FOR FLUSH FRAME CONDITIONS.)



SARGENT® Manufacturing Company
100 Sargent Drive New Haven, CT 06511

DATA SHEET: 351 SERIES DOOR CLOSERS WITH PS OR PSH HEAVY DUTY PARALLEL ARM

EFFECTIVE DATE
02 MAR 04
TEMPLATE NO.
A7380 D