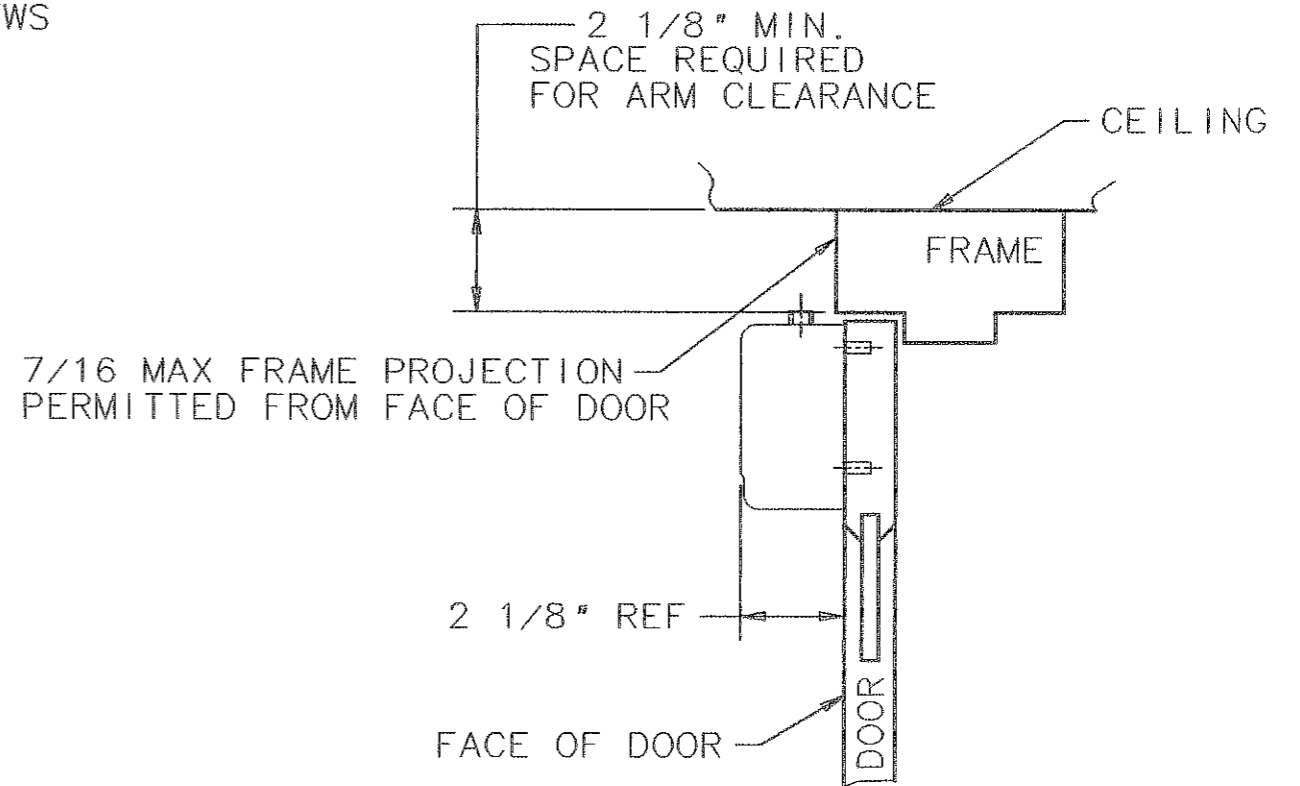
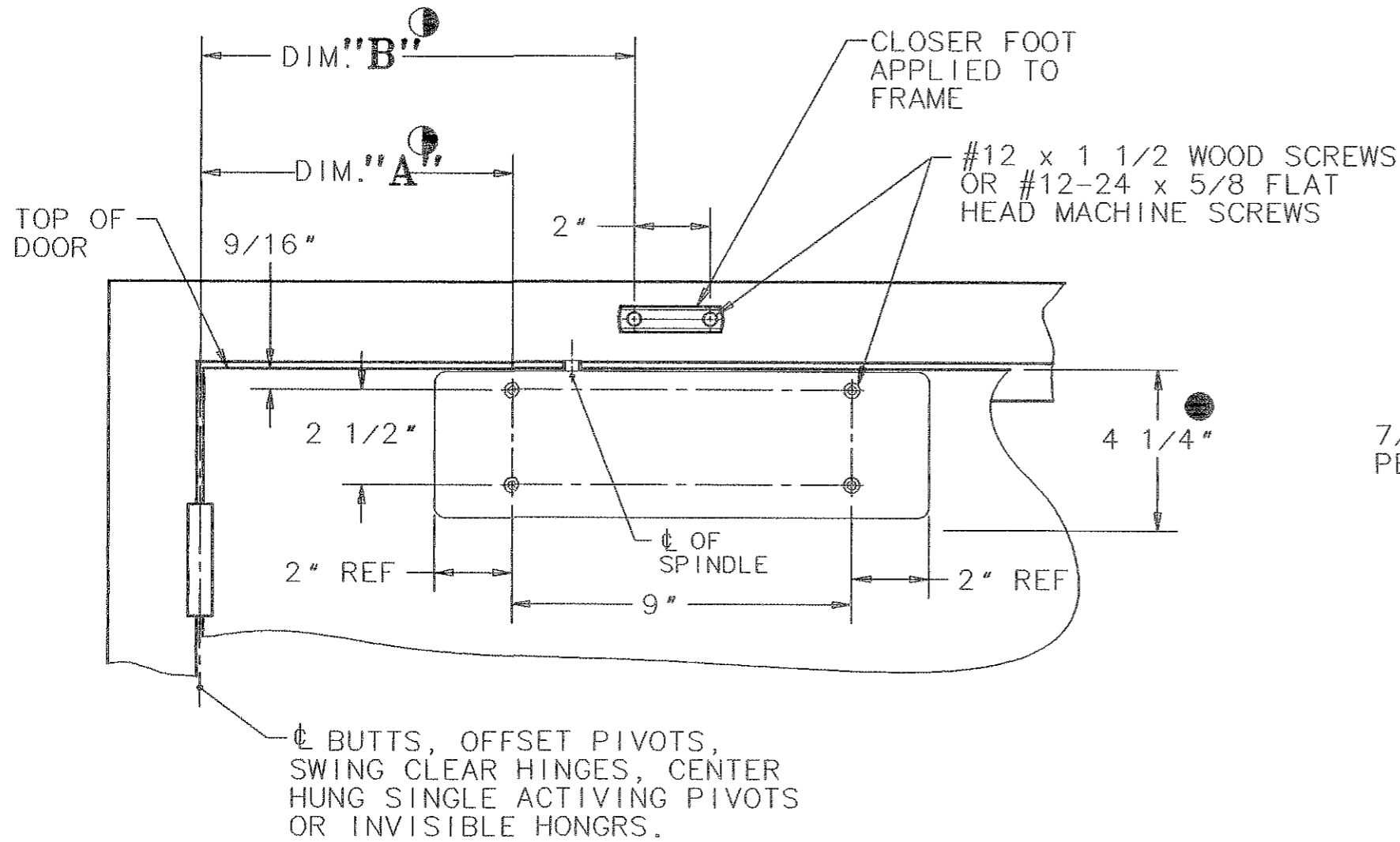


IMPORTANT: USE ALTERNATE MOUNTING IF DOOR CAN OPEN BEYOND LIMITS SHOWN FOR STANDARD MOUNTING

ARM TYPE	MOUNTING	MAX. DOOR OPENING	DIM. "A"	DIM. "B"
HOLD OPEN FUSIBLE LINK	STANDARD	110°	8 3/16"	11 7/16"
	ALTERNATE	135°	6 13/16"	10 1/16"



② — RIGHT HAND DOOR SHOWN. LEFT HAND OPPOSITE.

① — 12 GAUGE MIN. REINFORCEMENT REQ'D. FOR METAL DOORS & FRAMES.

⑤ — 351-A MOUNTING PLATE MAY BE USED FOR DOOR WITH NARROW TOP RAIL. SEE DATA SHEET A6772

④ — FUSIBLE LINK ARM IS HANDED AND MUST BE THE SAME HAND AS DOOR.

③ — THIS DIMENSION IS TAKEN FROM HINGE EDGE OF DOOR FOR INVISIBLE HINGES.

SARGENT MANUFACTURING COMPANY

NEW HAVEN, CONN. 06511

DATA SHEET: 351
 SERIES CLOSER x STANDARD ARM
 HOLD OPEN FUSIBLE LINK
 APPLICATION - "F" ARM

EFFECTIVE DATE
 SEPT. 99
 TEMPLET NO. A7336 A