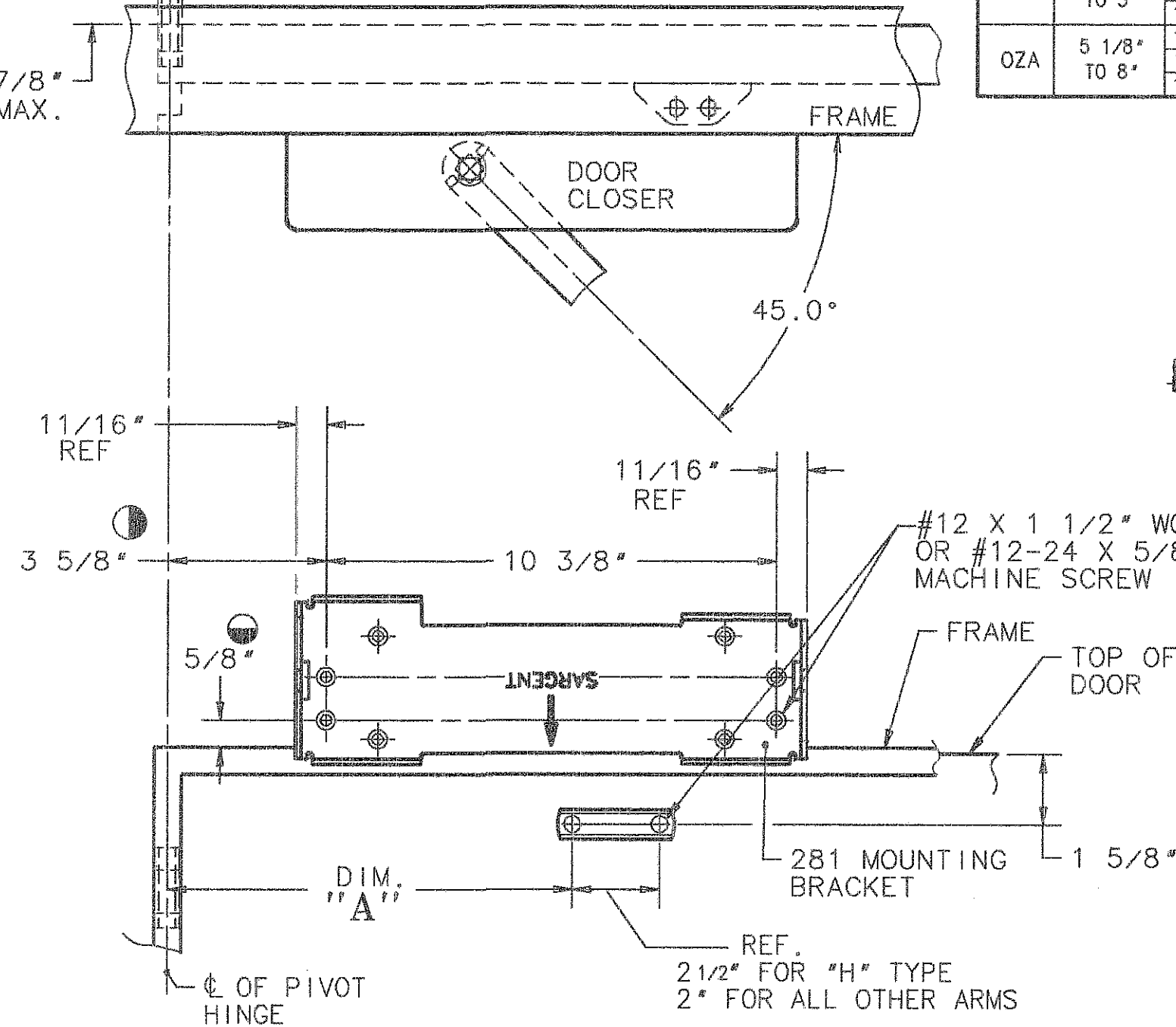
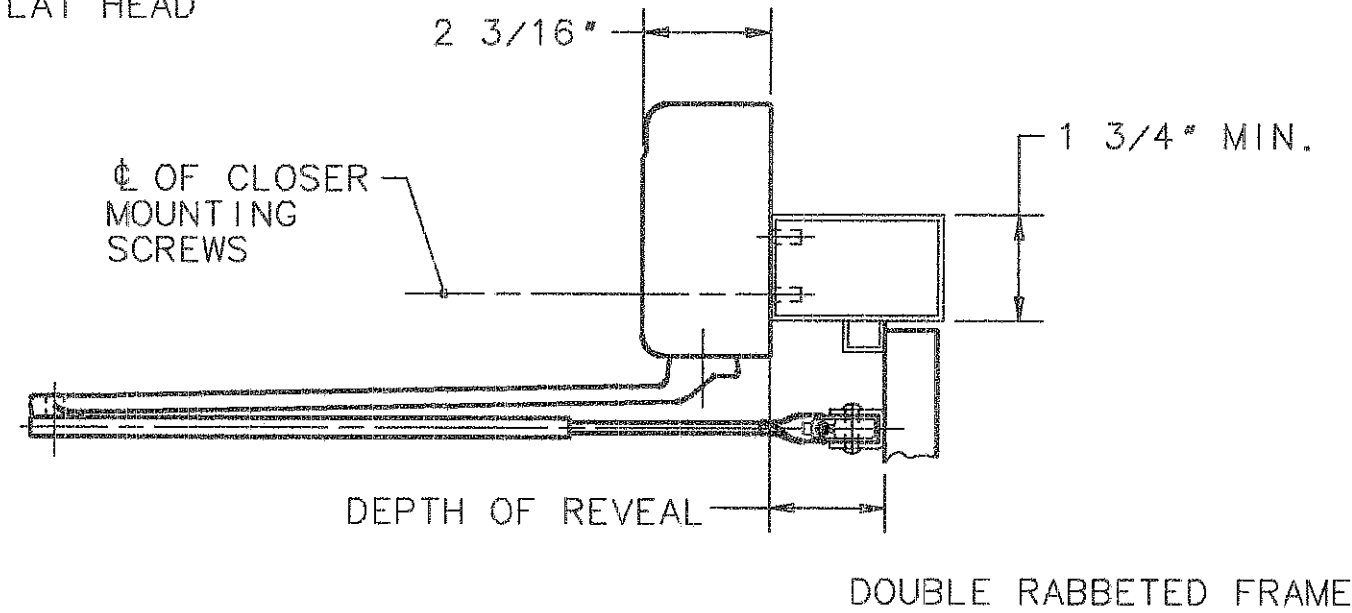
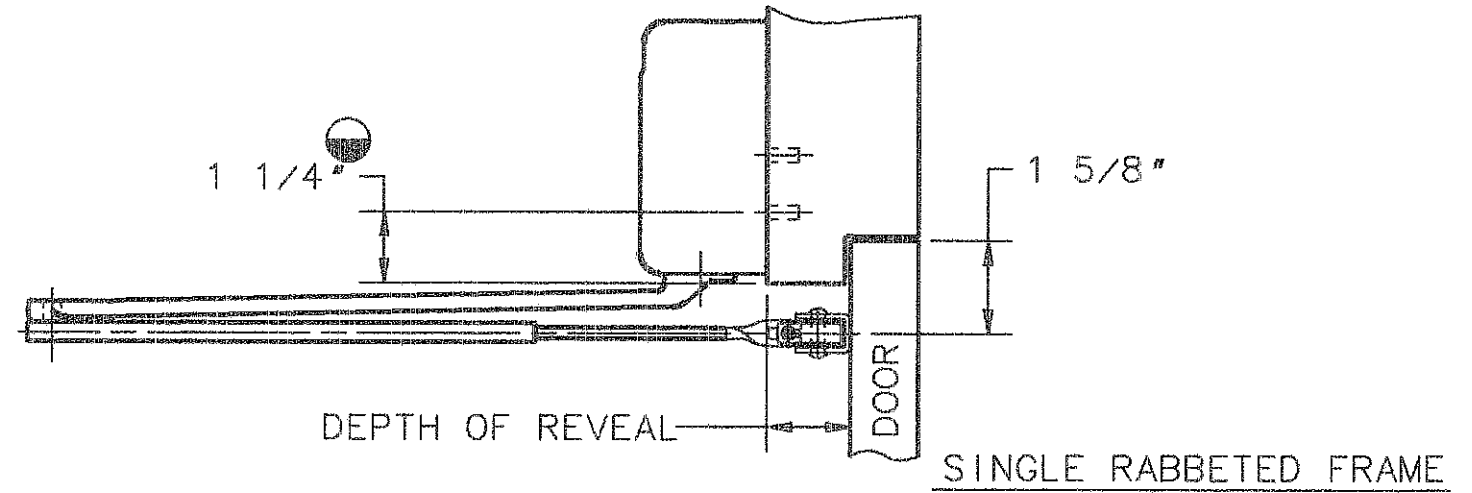


HINGE PIVOT:
BUTTS, OFFSET PIVOTS, SWING CLEAR,
CENTER HUNG OR INVISIBLE HINGES

7/8" MAX.



TYPE ARM	DEPTH OF REVEAL	DIM. "A"	MAX. DOOR OPENING	TYPE ARM	DEPTH OF REVEAL	DIM. "A"	MAX. DOOR OPENING	RANGE OF HOLD OPEN	TYPE ARM	DEPTH OF REVEAL	DIM. "A"	MAX. DOOR OPENING	RANGE OF HOLD OPEN
O	0" TO 2"	13 3/4"	90°	F	0" TO 2"	13 3/4"	90°	80°-90°	H	0" TO 2"	13 5/8"	90°	80°-90°
		12 1/4"	110°			12 1/4"	110°	12"			110°	80°-110°	
		9 5/16"	180°			9 5/16"	140°	9 1/8"			180°	80°-180°	
OZ	2 1/8" TO 5"	13 3/4"	90°	FZ	2 1/8" TO 5"	13 3/4"	90°	80°-90°	HZ	2 1/8" TO 5"	13 5/8"	90°	80°-90°
		12 1/2"	110°			12 1/2"	110°	12 1/4"			110°	80°-110°	
		10 1/8"	140°			10 1/8"	140°	9 7/8"			140°	80°-130°	
OZA	5 1/8" TO 8"	13 3/4"	90°	FZA	5 1/8" TO 8"	13 3/4"	90°	80°-90°	HZA	5 1/8" TO 8"	13 5/8"	90°	80°-90°
		12 3/4"	110°			12 3/4"	110°	12 5/8"			110°	80°-110°	
		10 15/16"	140°			10 15/16"	140°	10 11/16"			140°	80°-130°	



- ③ LEFT HAND DOOR SHOWN, RIGHT HAND DOOR OPPOSITE.
- ② MAXIMUM DOOR OPENINGS SHOWN IN CHARTS APPLY TO DOORS UP TO 2 1/4" THICK ONLY.
- ① 12 GAUGE MIN. REINFORCEMENTS REQUIRED FOR METAL DOORS AND FRAMES.

- ⑤ THESE DIMENSIONS MAYBE REDUCED TO 3/8" MIN. IF RAIL ON TOP CASING IS NARROW OR LOW CEILING CONDITION EXISTS. CLOSER FOOT SHOULD BE MOVED ACCORDINGLY.
- ④ THIS DIMENSION IS TAKEN FROM HINGE EDGE OF DOOR FOR INVISIBLE HINGES.

SARGENT MANUFACTURING COMPANY		NEW HAVEN, CONN. 06511	
DATA SHEET: 281		EFFECTIVE DATE	
SERIES CLOSER x TOP JAMB		OCT 00	
APPLICATION - O, H & F ARMS FOR RABBETED FRAMES		TEMPLER NO.	
		A7247 C	