

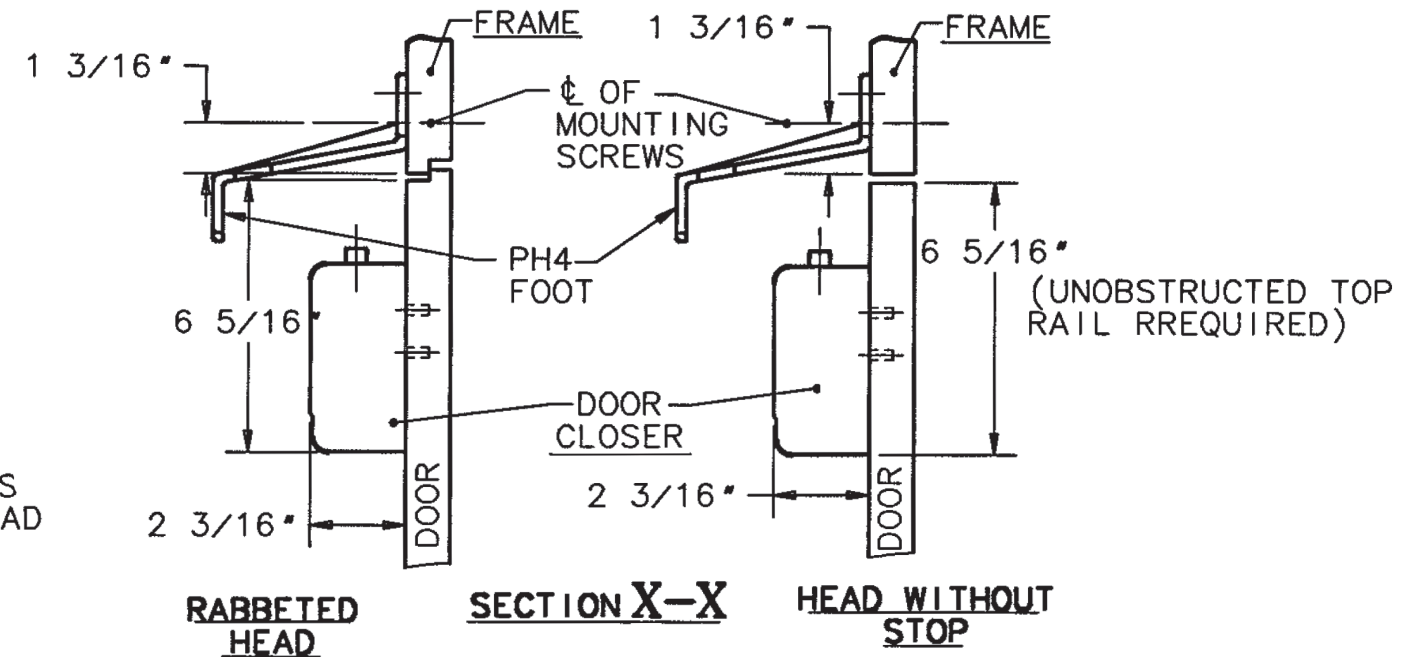
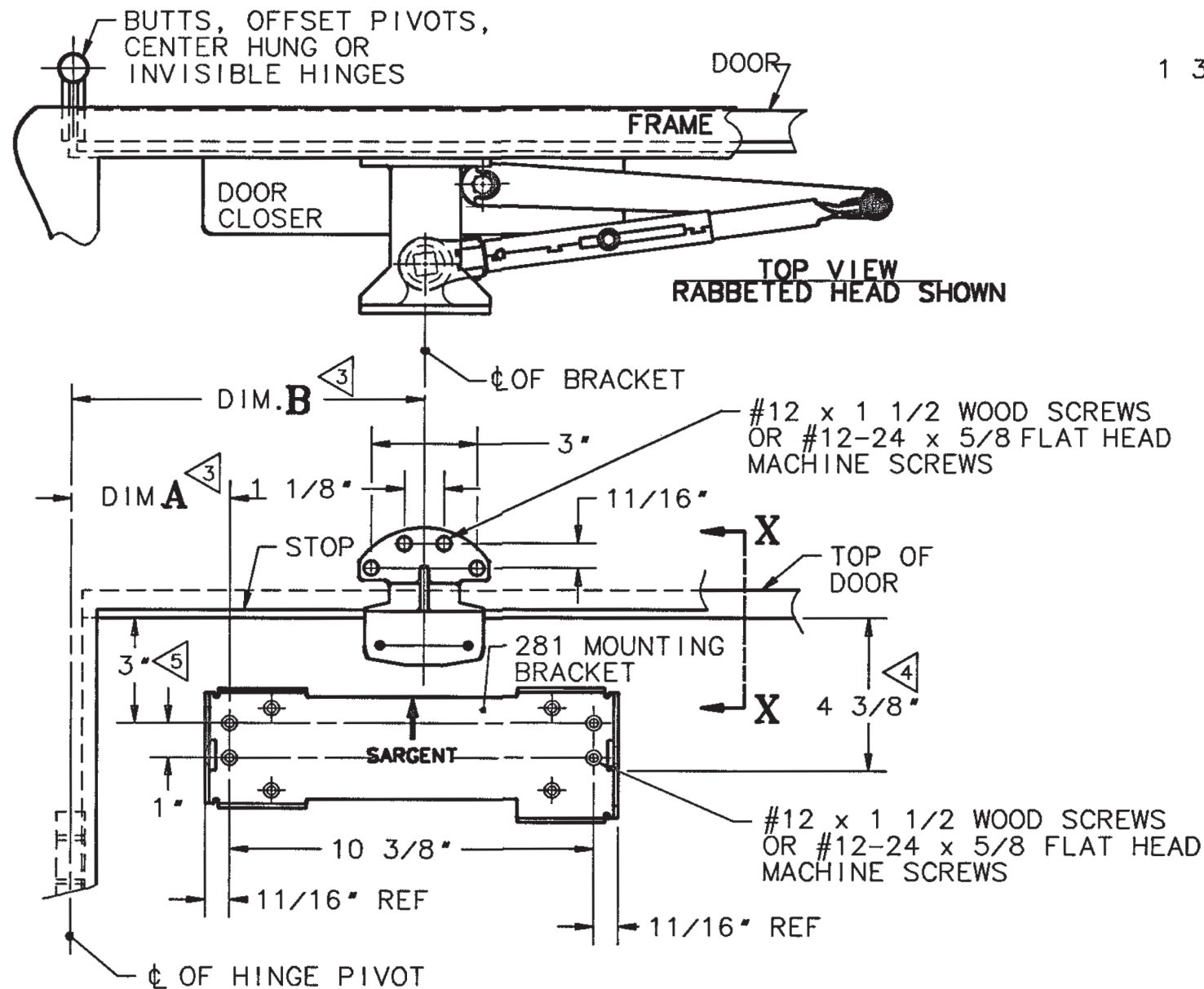
# INSTALLATION INSTRUCTIONS FOR 281 SERIES CLOSURE AND PARALLEL ARMS APPLICATION

## PH4 Arm

FOR INSTALLATION ASSISTANCE, CALL SARGENT AT 1-800-727-5477 • www.sargentlock.com

IMPORTANT: USE ALTERNATE MOUNTING IF DOOR CAN OPEN BEYOND LIMITS SHOWN FOR STANDARD MOUNTING

ARM TYPE	DESCRIPTION	STANDARD MOUNTING			ALTERNATE MOUNTING		
		DIM. A	DIM. B	MAX. DOOR OPENING	DIM. A	DIM. B	MAX. DOOR OPENING
PH4	90°-180° HOLDER ARM	4 1/2"	10 1/2"	110°	1 5/8"	7 5/8"	180°



- ⑤ IF DOOR CLOSER BODY INTERFERES WITH A DOOR LIGHT KIT, USE 281-B MOUNTING PLATE. PLATE TO BE MOUNTED INVERTED, SEE DATA SHEET A7242 FOR DETAILS.
- ④ SPACE REQUIRED TO MOUNT CLOSER ON RAIL. IF SPACE IS LESS THAN SHOWN USE 281-D DROP PLATE. SEE DATA SHEET A7244 FOR DETAILS.
- ③ THIS DIMENSION IS TAKEN FROM HINGE EDGE OF DOOR FOR INVISIBLE HINGES.
- ② LEFT HAND DOOR SHOWN. RIGHT HAND DOOR OPPOSITE.
- ① 12 GAUGE MIN. REINFORCEMENT REQUIRED FOR METAL DOORS & FRAMES.