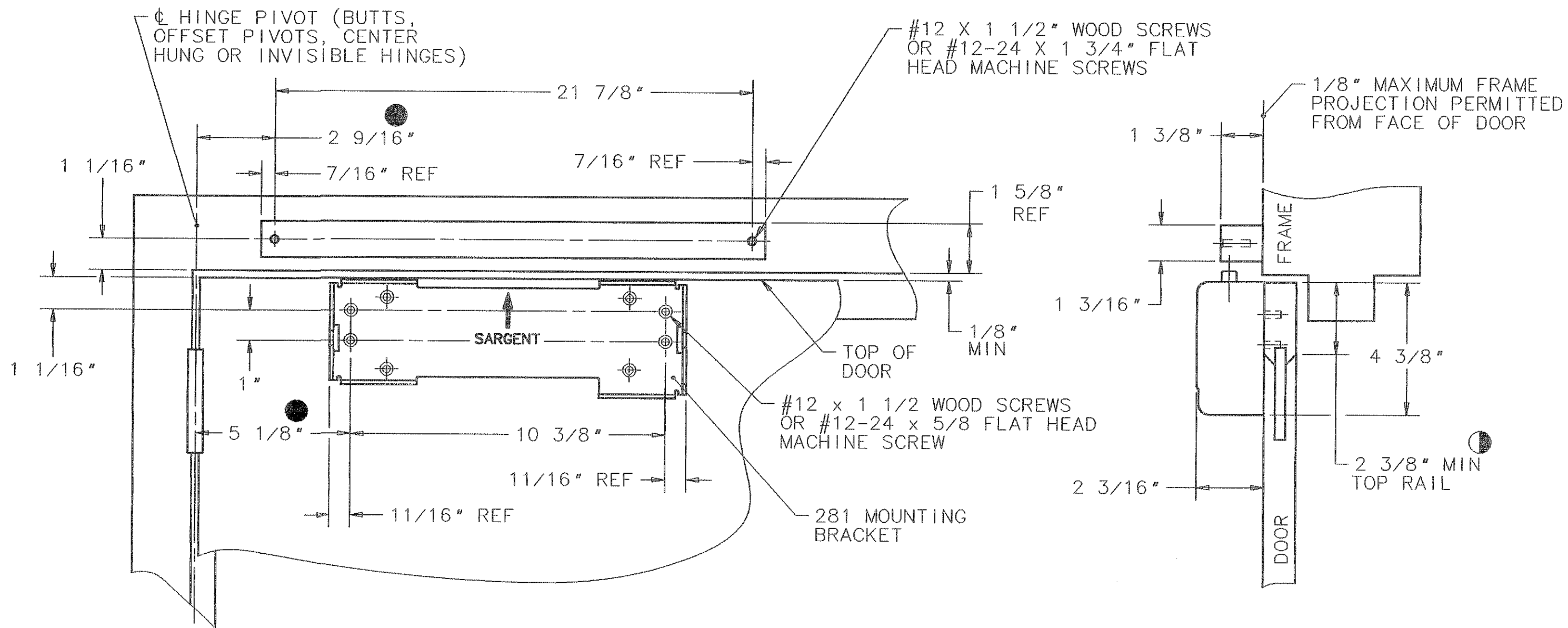


DESCRIPTION	ARM TYPE	MAXIMUM DOOR OPENING		RANGE OF HOLD OPEN
		WITH BUMPER	WITHOUT BUMPER	
REGULAR ARM	OT	120°	160°	
HOLDER ARM	HT	120°	160°	



- ③ [●] THIS DIMENSION IS TAKEN FROM HINGE EDGE OF DOOR FOR INVISIBLE HINGES.
- ② [] RIGHT HAND DOOR SHOWN. LEFT HAND DOOR OPPOSITE.
- ① [] 12 GAUGE MIN. REINFORCEMENT REQUIRED FOR METAL DOORS AND FRAMES.

- ⑤ [●] IF BUTT FRAME AND WALL CONDITIONS PERMIT, CLOSER WILL ALLOW DOOR TO OPEN 180°.
- ④ [●] SPACE REQUIRED TO MOUNT CLOSER ON RAIL. IF SPACE IS LESS THAN SHOWN USE 281-D DROP BRACKET. SEE DATA SHEET A7244 FOR DETAILS.

SARGENT MFG. COMPANY		NEW HAVEN, CONN. 06511	
DATA SHEET: 281 SERIES CLOSER TRACK TYPE APPLICATION (PULL SIDE MOUNTING) OT AND HT ARMS		EFFECTIVE DATE	
		DEC. 98	
		TEMPLET NO. A7205 A	