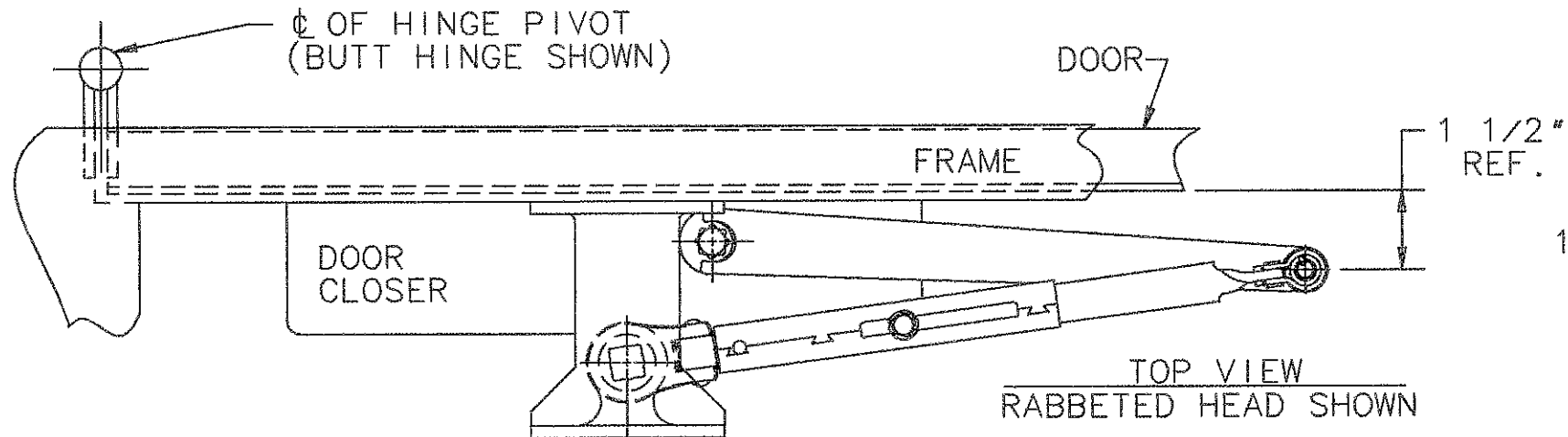
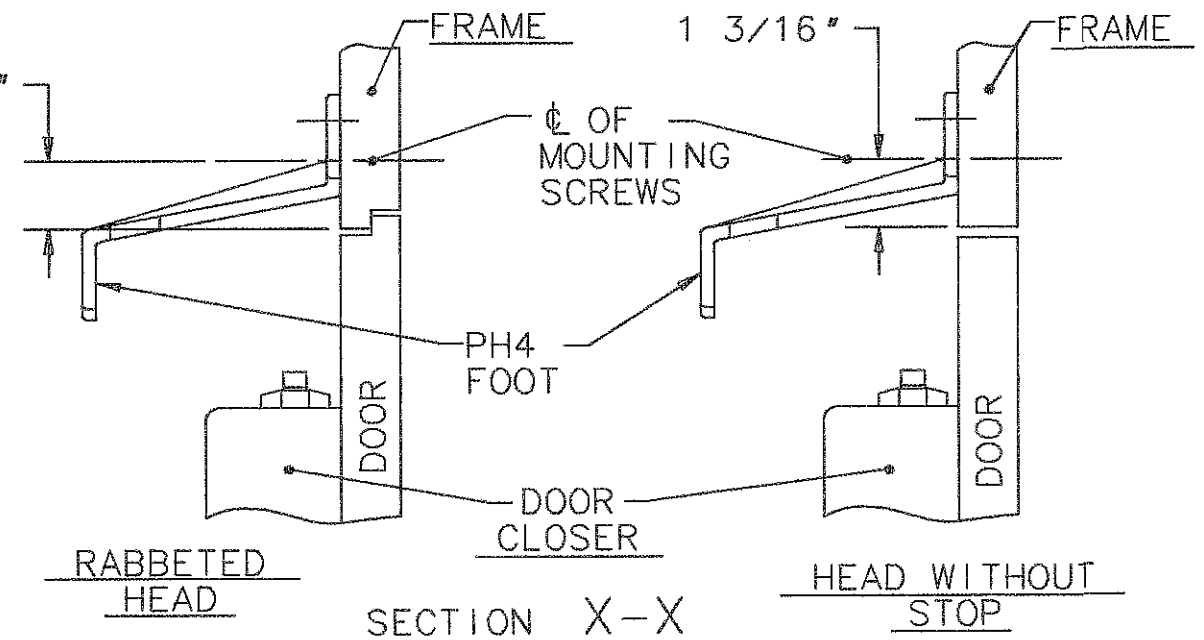
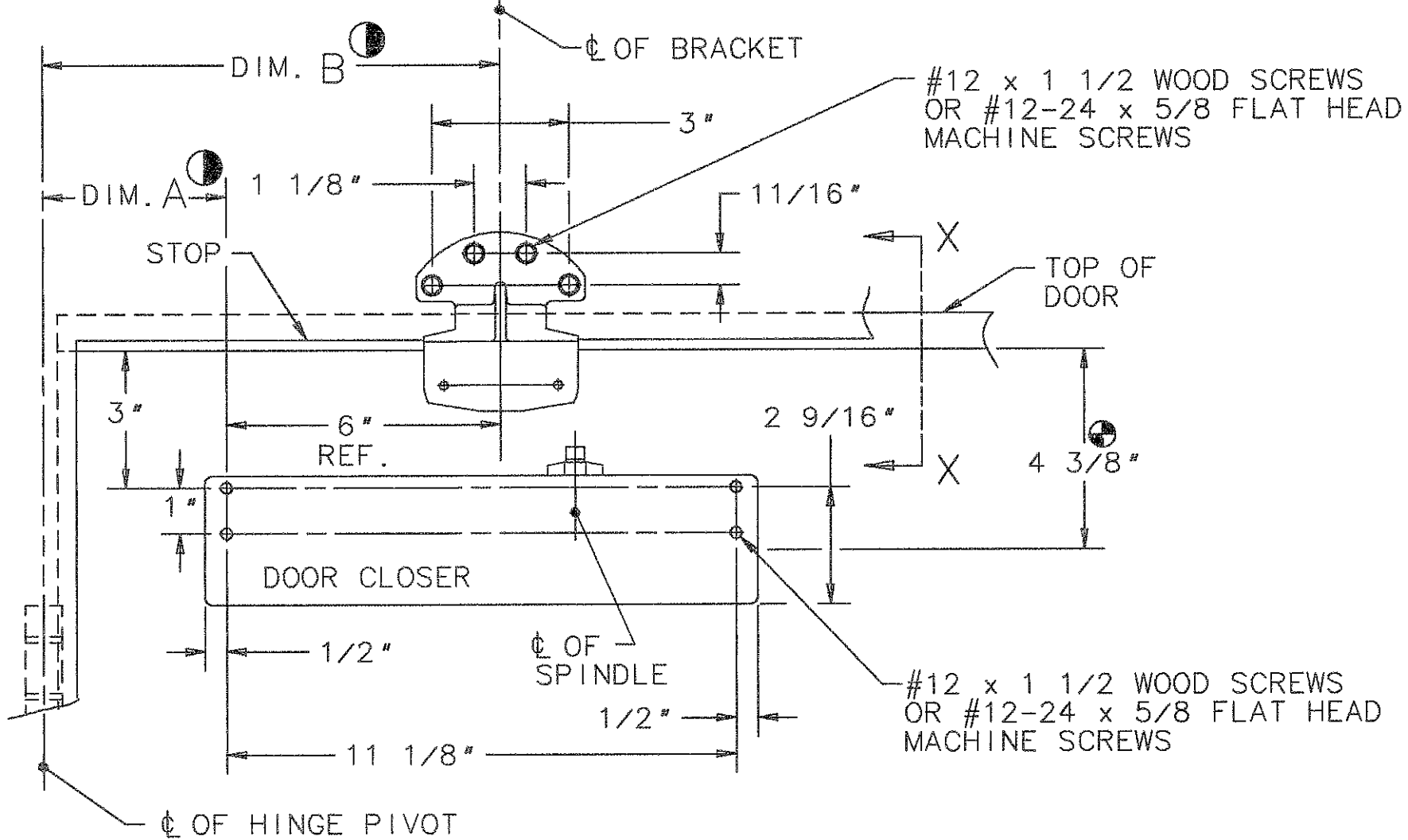


IMPORTANT: USE ALTERNATE MOUNTING IF DOOR CAN OPEN BEYOND LIMITS SHOWN FOR STANDARD MOUNTING

ARM TYPE	DESCRIPTION	STANDARD MOUNTING			ALTERNATE MOUNTING ●		
		DIM. A	DIM. B	MAX. DOOR OPENING	DIM. A	DIM. B	MAX. DOOR OPENING
PH4	90°-180° HOLDER ARM	4"	10"	110°	1 1/4"	6 1/4"	180°



TOP VIEW
RABBETED HEAD SHOWN



- ⑤ [●] SPACE REQUIRED TO MOUNT CLOSER ON RAIL. IF SPACE IS LESS THAN SHOWN USE 1430-D DROP BRACKET.
- ④ [●] THIS DIMENSION IS TAKEN FROM HINGE EDGE OF DOOR FOR INVISIBLE HINGES.
- ③ [●] 1430-J COVER PLATE MAY BE USED WHEN CLOSER IS VIEWED THRU GLASS PANEL.
- ② [●] LEFT HAND DOOR SHOWN, RIGHT HAND OPPOSITE.
- ① [●] 12 GAUGE MIN. REINFORCEMENT REQUIRED FOR METAL DOORS & FRAMES.

SARGENT MANUFACTURING COMPANY		NEW HAVEN, CONN. 06511	
DATA SHEET: 1430 SERIES CLOSER x PARALLEL ARM APPLICATION-PH4 ARM		EFFECTIVE DATE 1 SEPT. 97	
		TEMPLER NO. A7121 A	