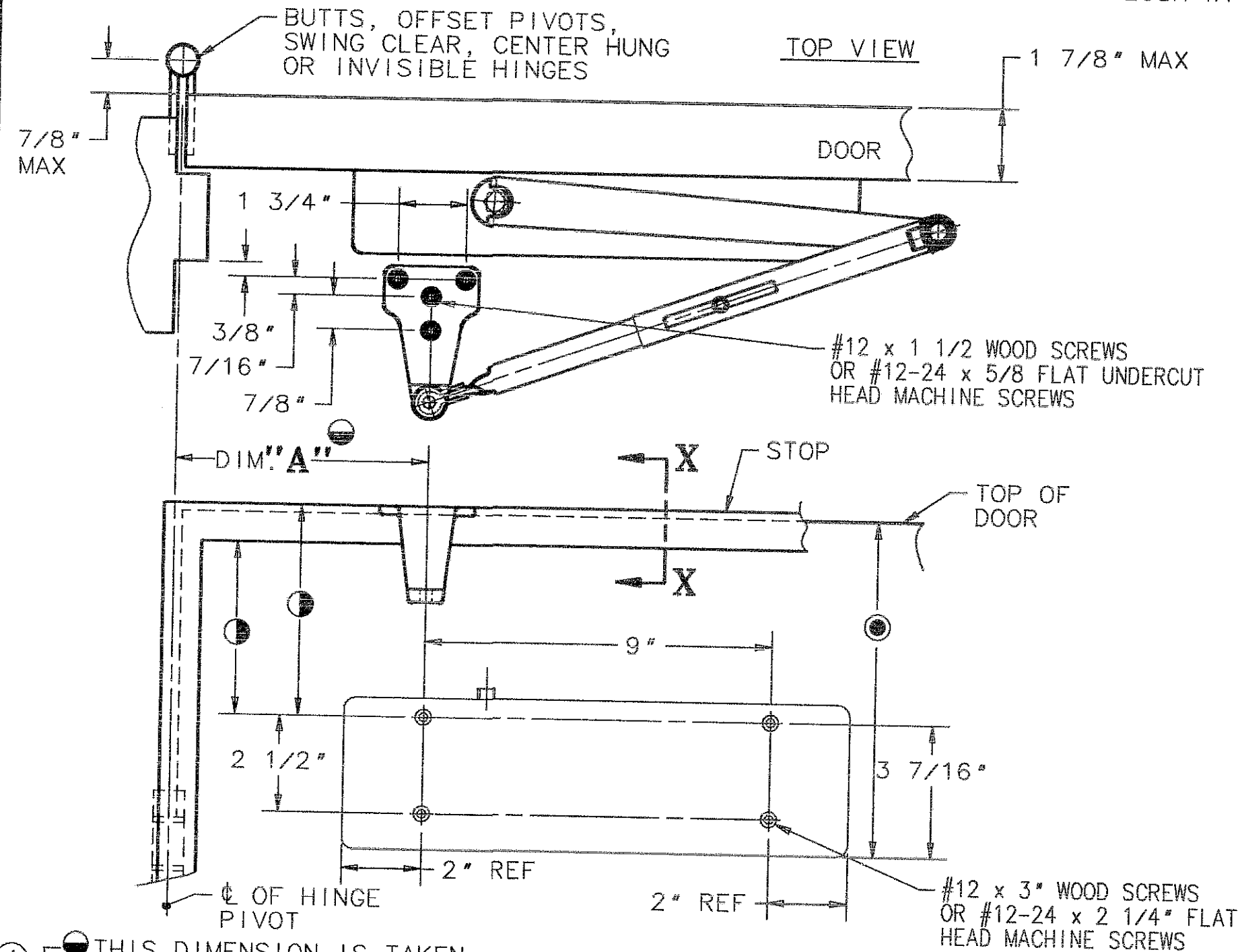
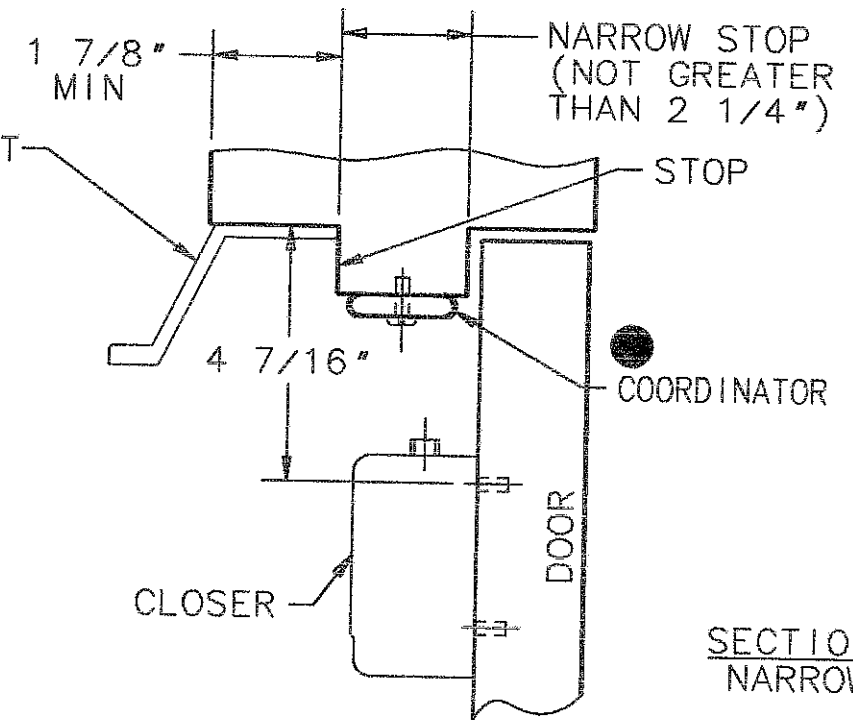


IMPORTANT: USE ALTERNATE MOUNTING IF DOOR CAN OPEN BEYOND LIMITS SHOWN FOR STANDARD MOUNTING

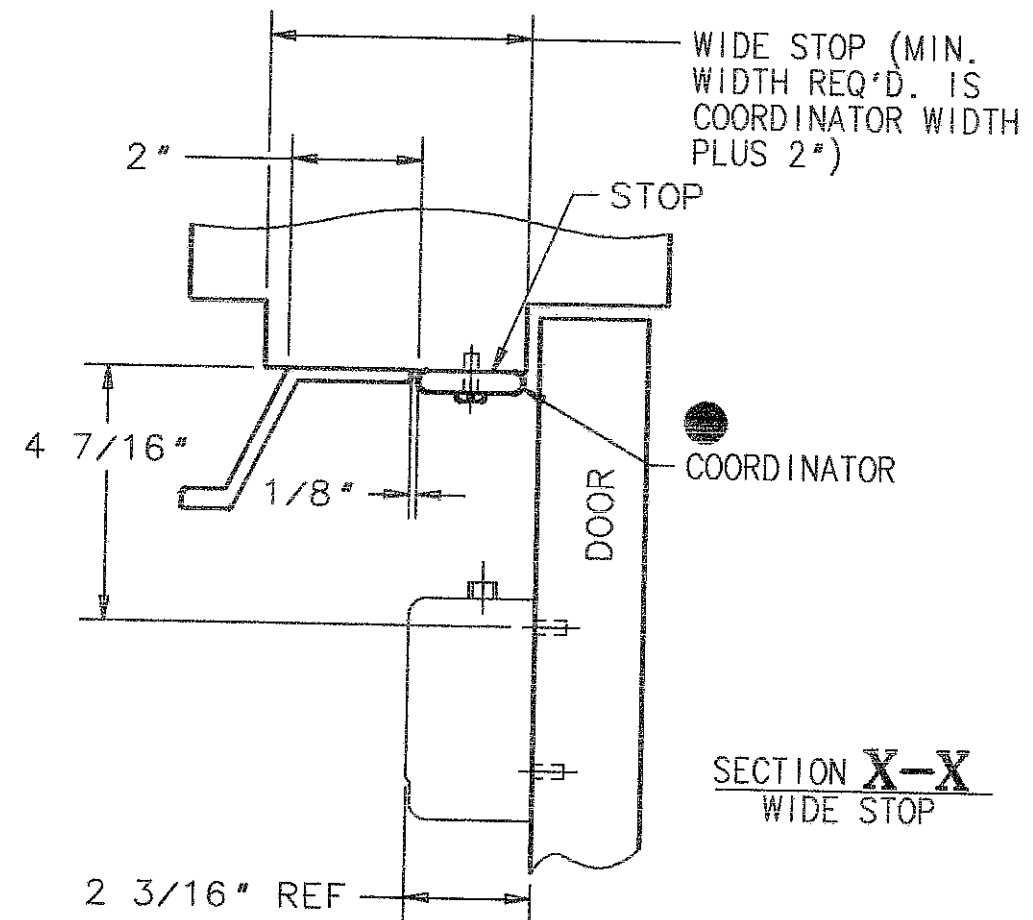
| ARM TYPE | DESCRIPTION | STANDARD MOUNTING | | ALTERNATE MOUNTING | |
|----------|----------------|-------------------|-------------------|--------------------|-------------------|
| | | DIM. A | MAX. DOOR OPENING | DIM. A | MAX. DOOR OPENING |
| P3A | WITHOUT HOLDER | 9 7/8" | 120° | 6 1/2" | 180° |



MOUNTING BRACKET FLUSH WITH STOP



SECTION X-X
NARROW STOP



SECTION X-X
WIDE STOP

④ THIS DIMENSION IS TAKEN FROM HINGE EDGE OF DOOR.

③ COORDINATOR APPLICATION SHOWN. USE SAME TEMPLATING FOR APPLIED STOPS WITH "SOUNDSEAL/SMOKE SEAL" FEATURES.

② LEFT HAND DOOR SHOWN. RIGHT HAND OPPOSITE.

① 12 GAUGE MIN. REINFORCEMENT REQUIRED FOR METAL DOORS & FRAMES.

⑥ SPACE REQUIRED TO MOUNT CLOSER ON TOP RAIL. ADD DIMENSIONS INVOLVED TO DETERMINE SPACE REQUIREMENTS. IF SPACE IS LESS THAN REQUIRED USE 351-D DROP PLATE (DATA SHEET A6745).

⑤ SEE SECTION X-X FOR MOUNTING DIMENSIONS AND CORRECT POSITIONING OR LOCATION OF P3A FOOT BRACKET ON DOOR FRAME.

SARGENT MANUFACTURING COMPANY

NEW HAVEN, CONN. 06511

DATA SHEET: 351 SERIES PARALLEL ARM CLOSER WITH TYPE P3A ARM & DOOR FRAME WITH COORDINATOR MOUNTED ON STOP (ALSO FOR APPLIED STOPS)

EFFECTIVE DATE
OCT 00

TEMPLER NO.
A6769 C