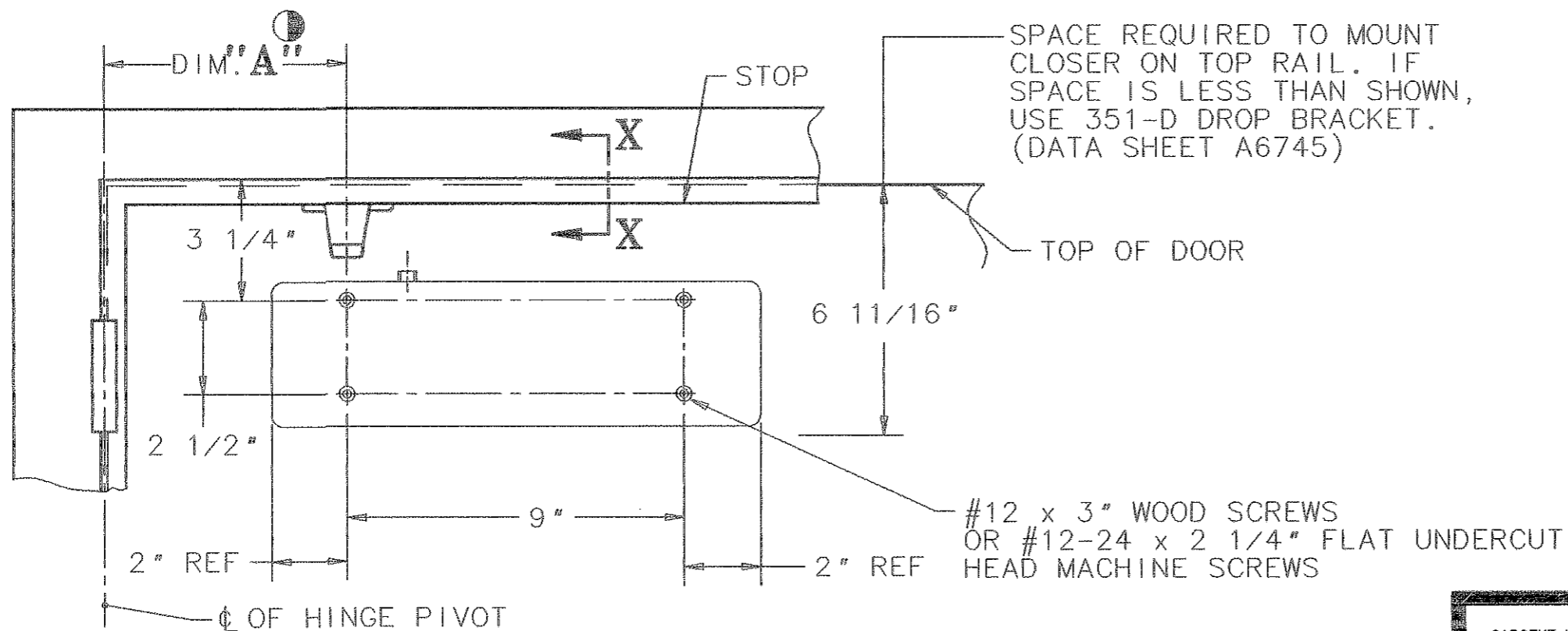
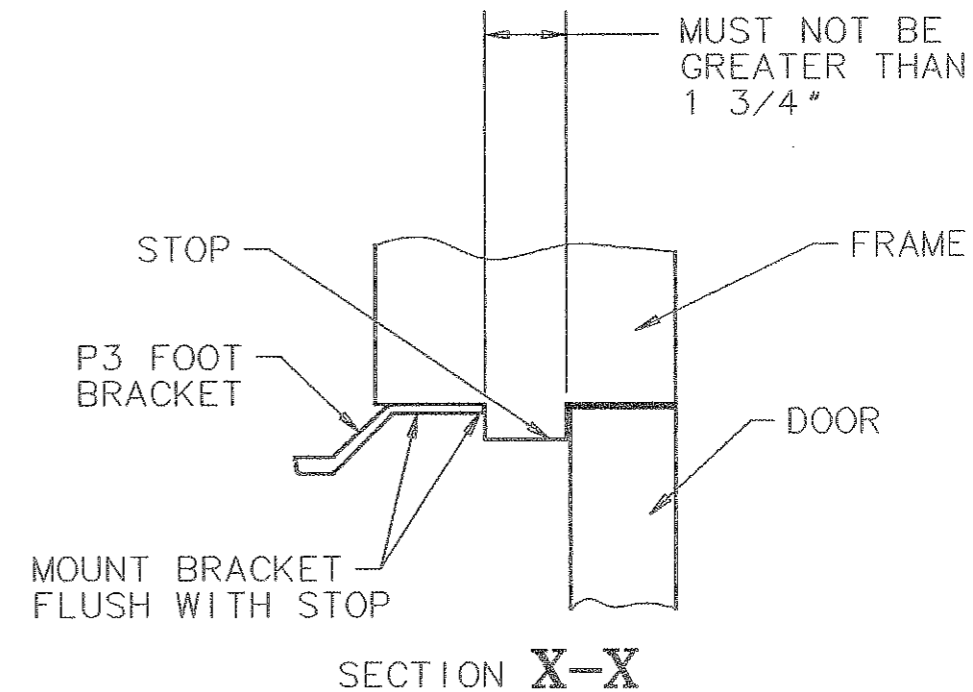
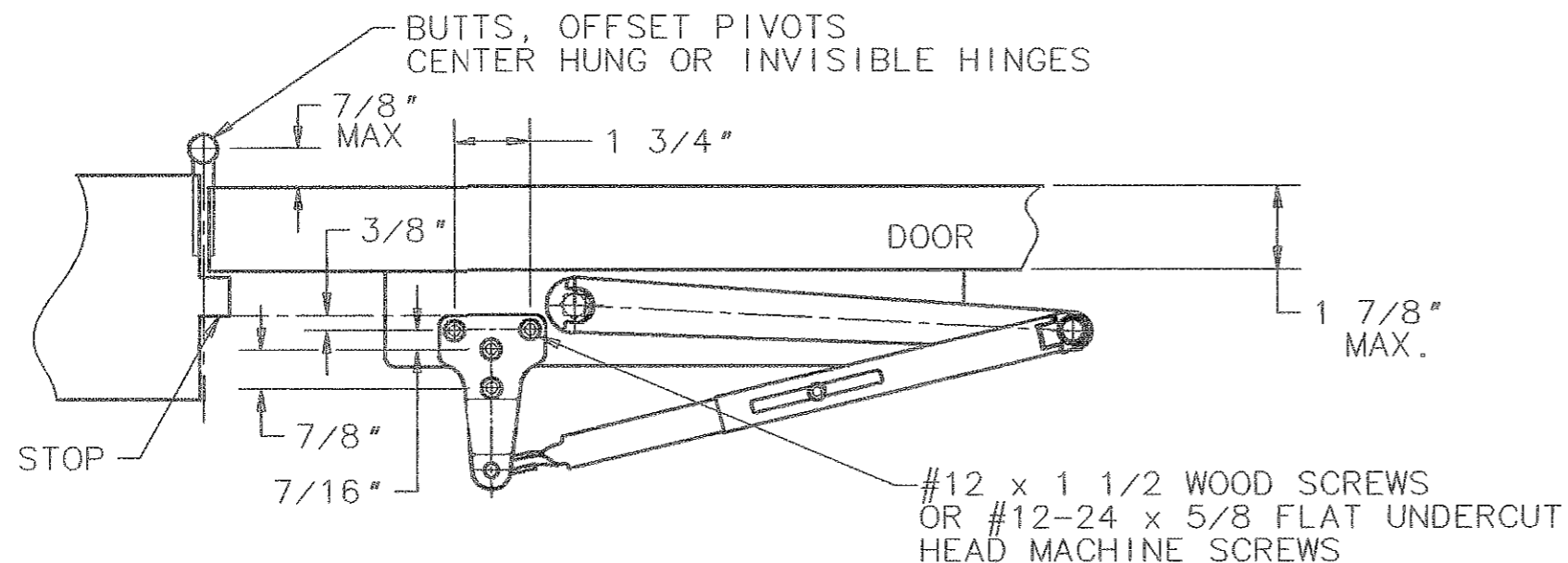


IMPORTANT: USE ALTERNATE MOUNTING IF DOOR CAN OPEN BEYOND LIMITS SHOWN FOR STANDARD MOUNTING

ARM TYPE	MOUNTING	MAX. DOOR OPENING	DIM. A
P3 WITHOUT HOLDER	STANDARD	120°	9 7/8"
	ALTERNATE	180°	6 1/2"



② — LEFT HAND DOOR SHOWN. RIGHT HAND OPPOSITE.

① — 12 GAUGE MIN. REINFORCEMENT REQUIRED FOR METAL DOORS & FRAMES.

③ — THIS DIMENSION IS TAKEN FROM HINGE EDGE OF DOOR FOR INVISIBLE HINGES.

SARGENT MANUFACTURING COMPANY

NEW HAVEN, CONN. 06511

DATA SHEET: 351 SERIES CLOSER WITH TYPE P3 ARM x DOOR FRAME WITH NARROW AND/OR UNREINFORCED STOP

EFFECTIVE DATE

SEPT. 99

TEMPLET NO.

A6768 C