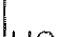

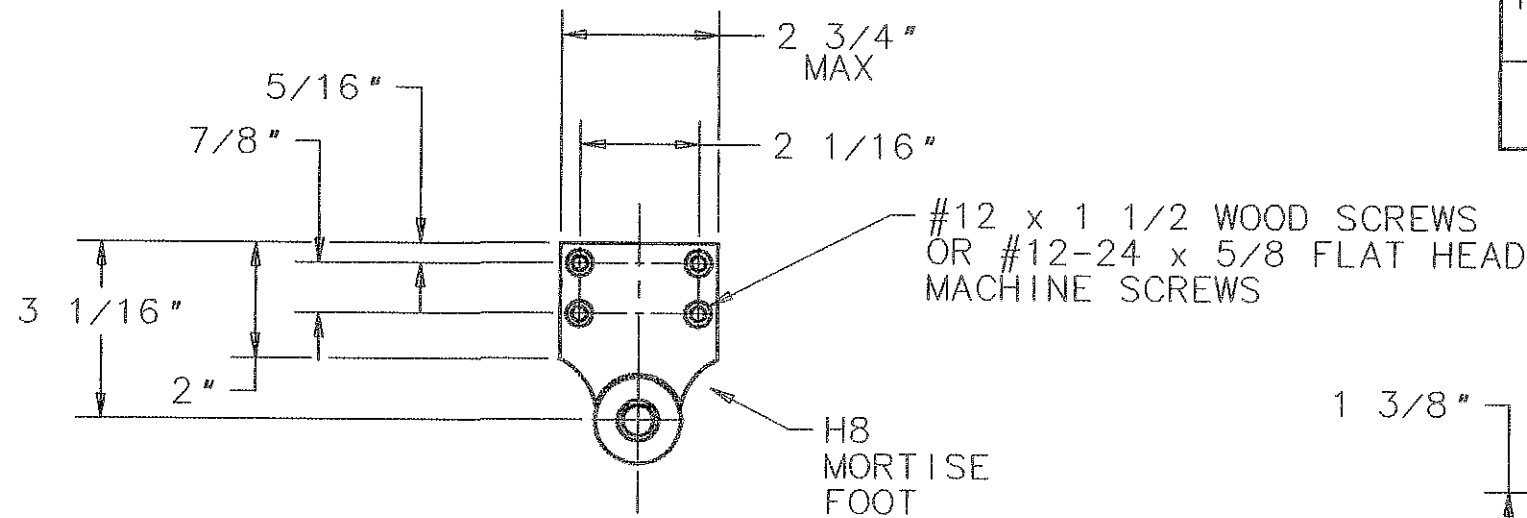


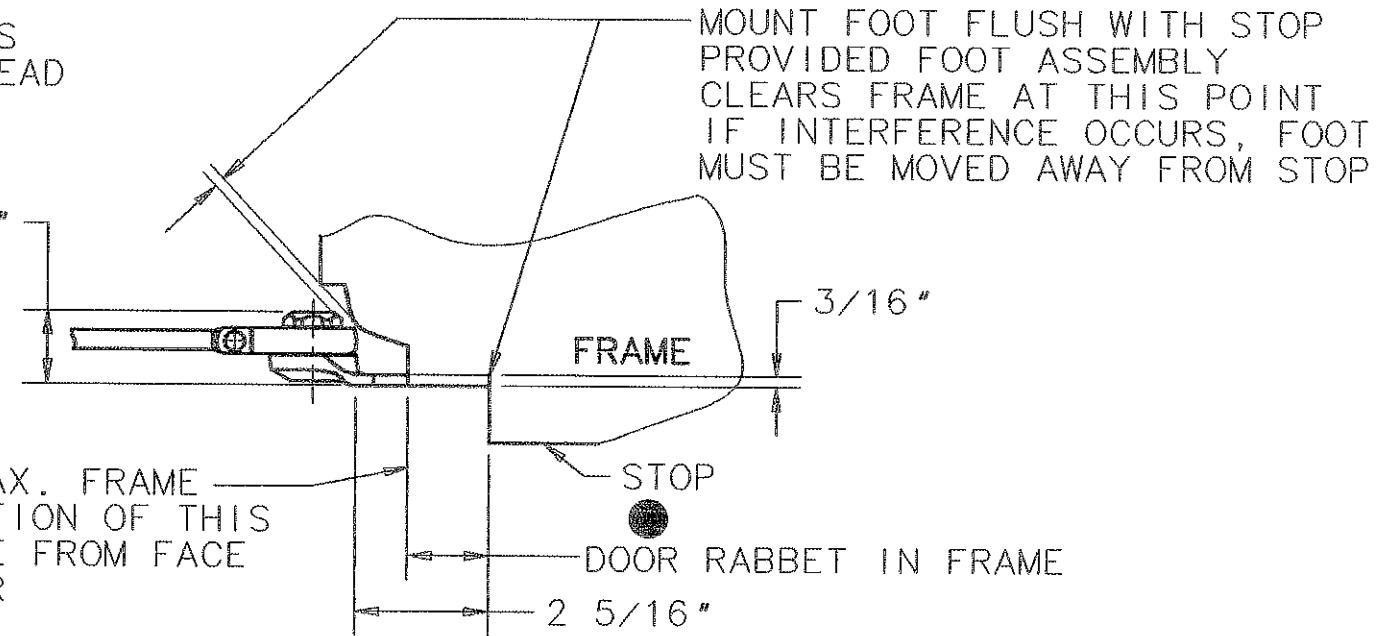
IMPORTANT: USE ALTERNATE MOUNTING IF DOOR CAN OPEN BEYOND LIMITS SHOWN FOR STANDARD MOUNTING

ARM TYPE	DESCRIPTION	STANDARD MOUNT			ALTERNATE MOUNT		
		DIM. A	DIM. B	MAXIMUM DOOR OPENING	DIM. A	DIM. B	MAXIMUM DOOR OPENING
H8	90°-180° 	9 1/2"	12 5/8"	110°	6 1/2"	9 5/8"	160° 



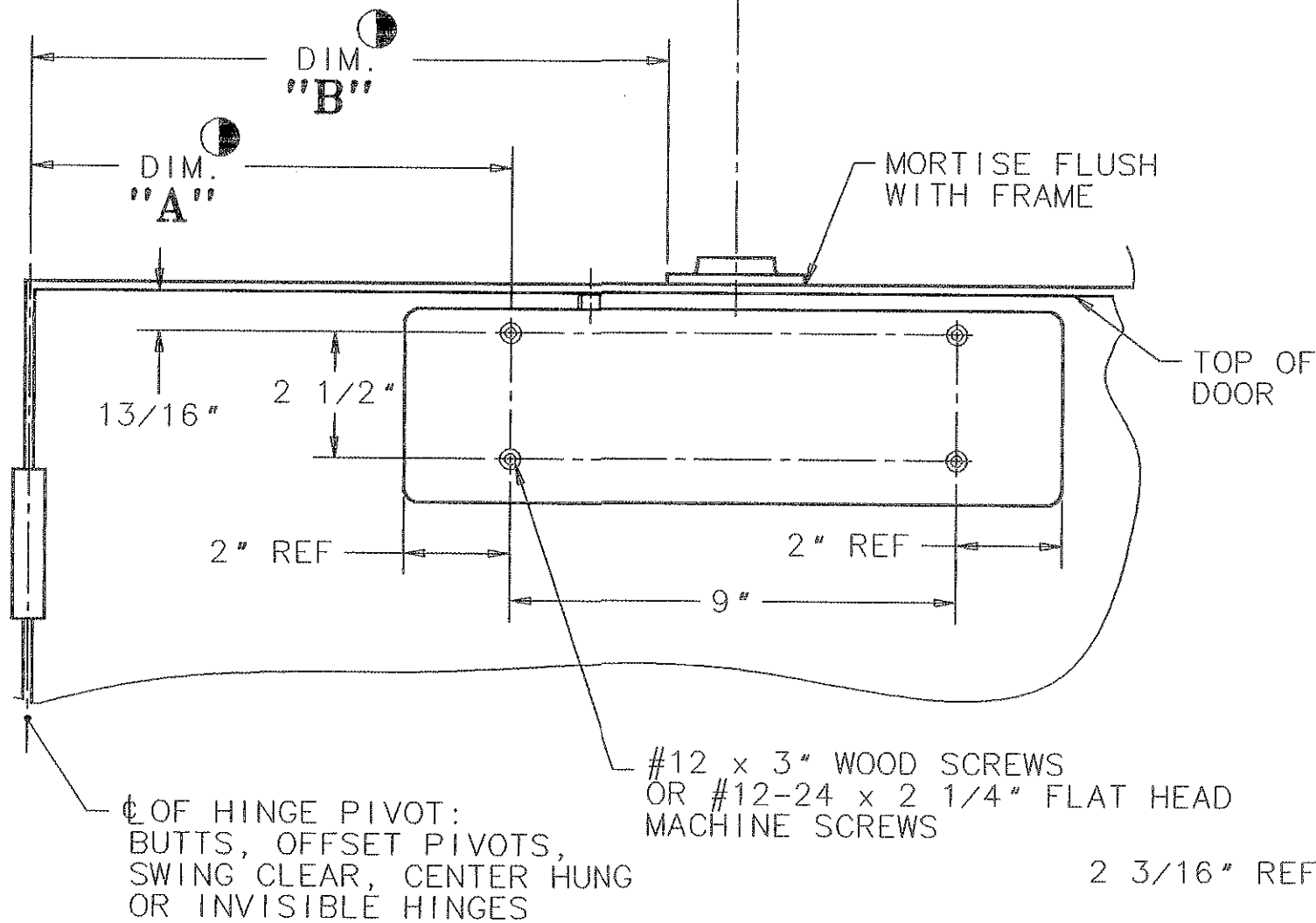
#12 x 1 1/2 WOOD SCREWS OR #12-24 x 5/8 FLAT HEAD MACHINE SCREWS

H8 MORTISE FOOT



MOUNT FOOT FLUSH WITH STOP PROVIDED FOOT ASSEMBLY CLEARS FRAME AT THIS POINT IF INTERFERENCE OCCURS, FOOT MUST BE MOVED AWAY FROM STOP

7/16 MAX. FRAME PROJECTION OF THIS SURFACE FROM FACE OF DOOR



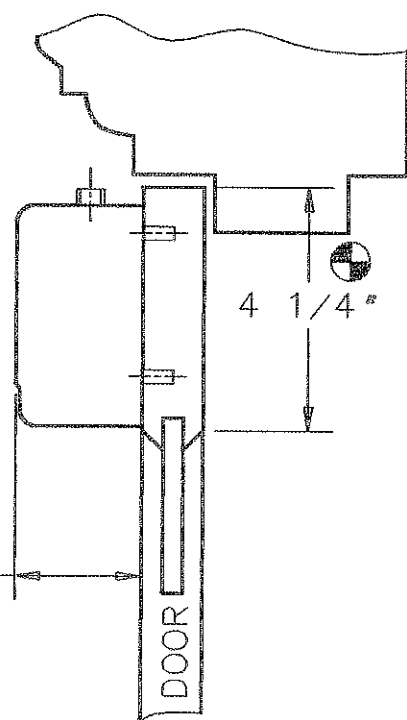
MORTISE FLUSH WITH FRAME







TOP OF DOOR

#12 x 3\"/>

☐ OF HINGE PIVOT: BUTTS, OFFSET PIVOTS, SWING CLEAR, CENTER HUNG OR INVISIBLE HINGES

2 3/16\"/>



- ⑥  351-A MOUNTING PLATE MAY BE USED FOR DOOR WITH NARROW TOP RAIL. (SEE DATA SHEET A6772).
- ⑤  IF THIS DIMENSION IS GREATER THAN 1 15/16\"/>
- ④  THIS DIMENSION IS TAKEN FROM HINGE EDGE OF DOOR FOR INVISIBLE HINGES.
- ③  IF BUTT, FRAME AND WALL CONDITIONS PERMIT, CLOSER WILL ALLOW DOOR TO OPEN 180°.
- ②  RIGHT HAND DOOR SHOWN. LEFT HAND DOOR OPPOSITE.
- ①  12 GAUGE MIN. REINFORCEMENT REQUIRED FOR METAL DOORS & FRAMES.

SARGENT MANUFACTURING COMPANY

NEW HAVEN, CONN. 06511

DATA SHEET: 351 SERIES  
CLOSER x STANDARD  
ARM APPLICATION -H8 ARM

EFFECTIVE DATE

SEPT. 99

TEMPLATE NO.

A6752 B