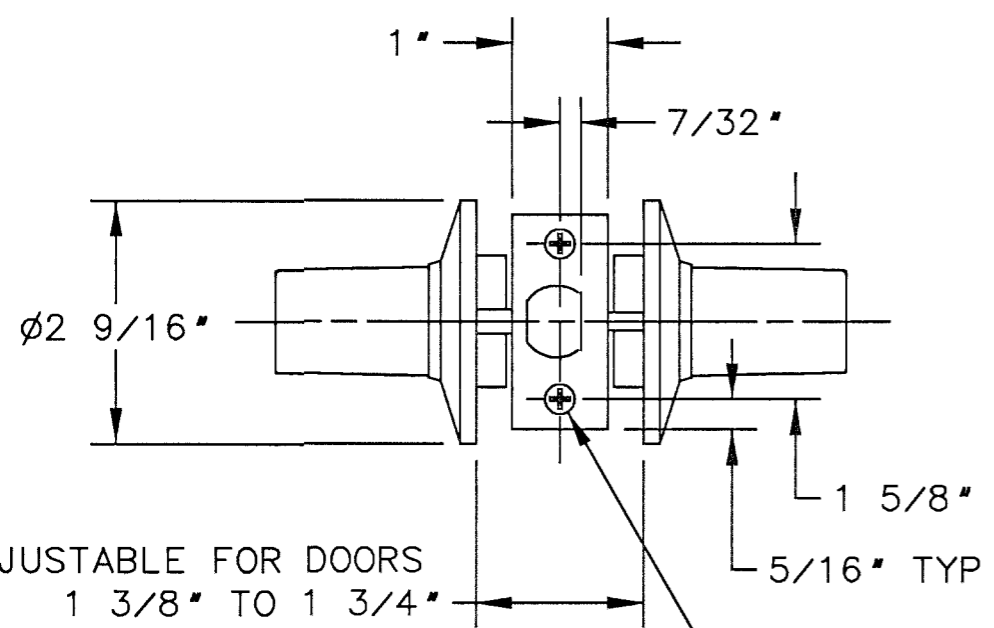
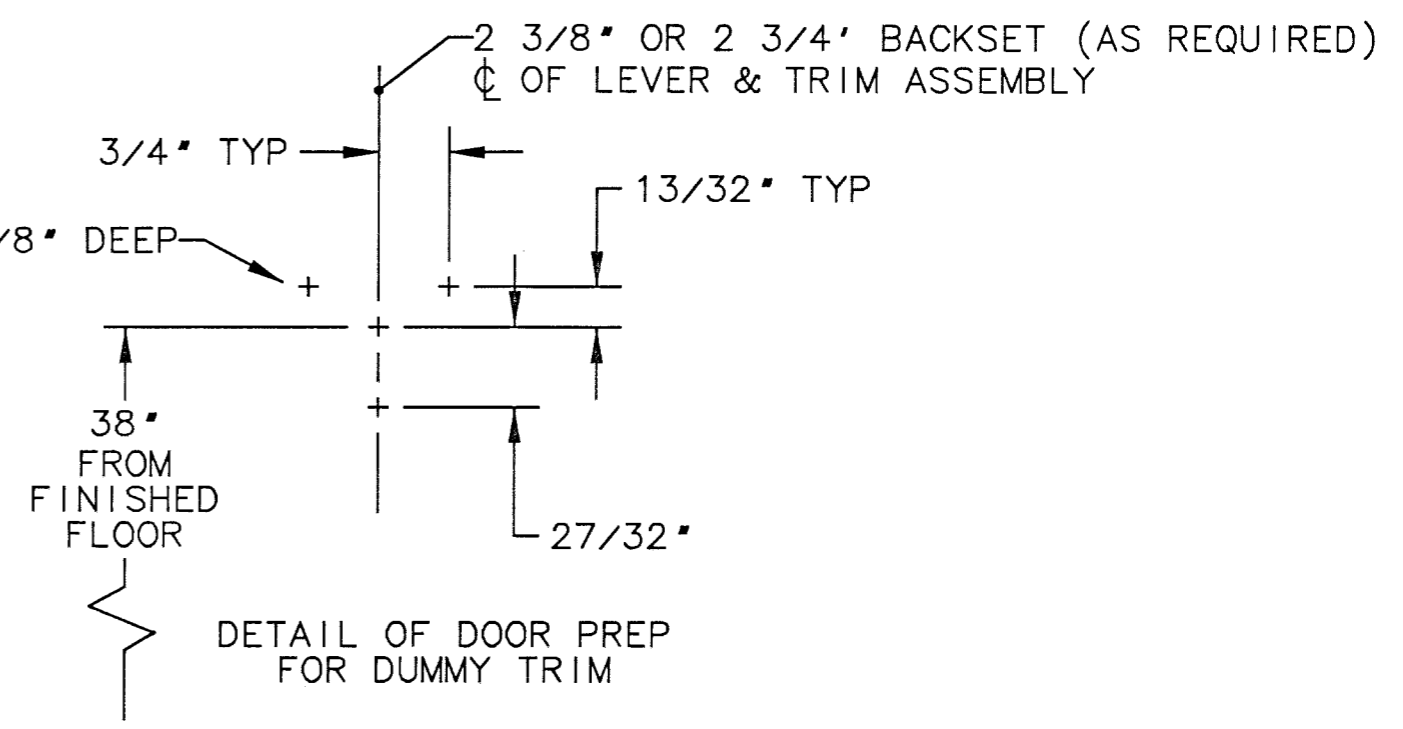
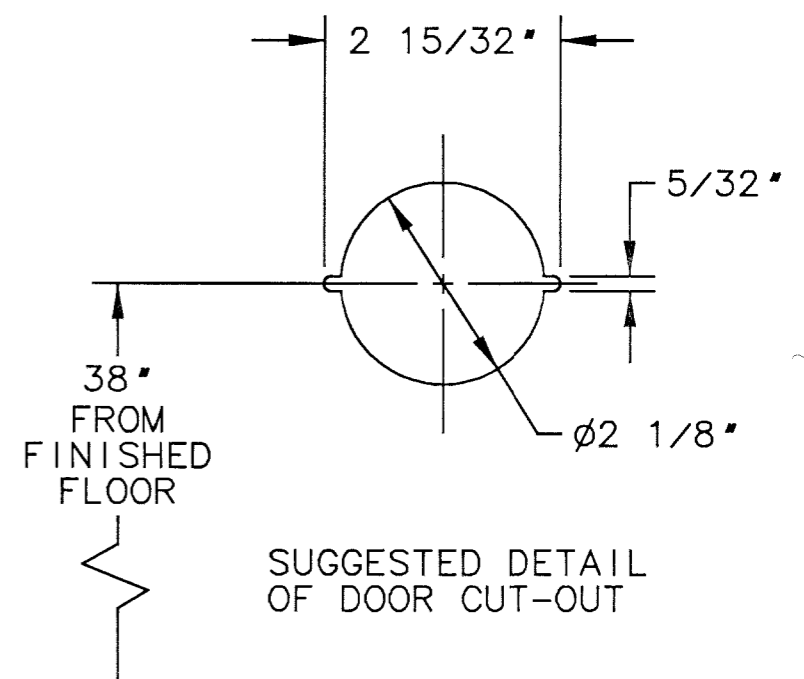
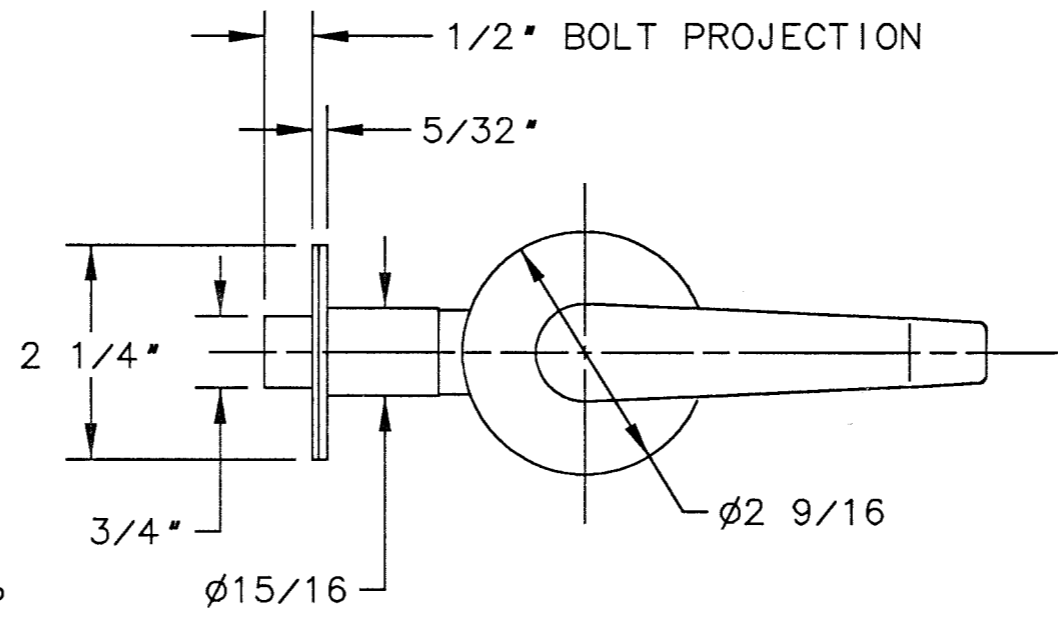


DRILL $\phi 1/8"$ X $3/8"$ DEEP
3 REQUIRED



FURNISHED WITH (2)
#8-32 X 3/4" PHILLIPS
FLAT HEAD COMBINATION
SCREW



SARGENT[®] Manufacturing Company 100 Sargent Drive New Haven, CT 06511	
GX SERIES BORED TUBULAR LOCK	RELEASE DATE 04-OCT-02 TEMPLET NO. 4550A