

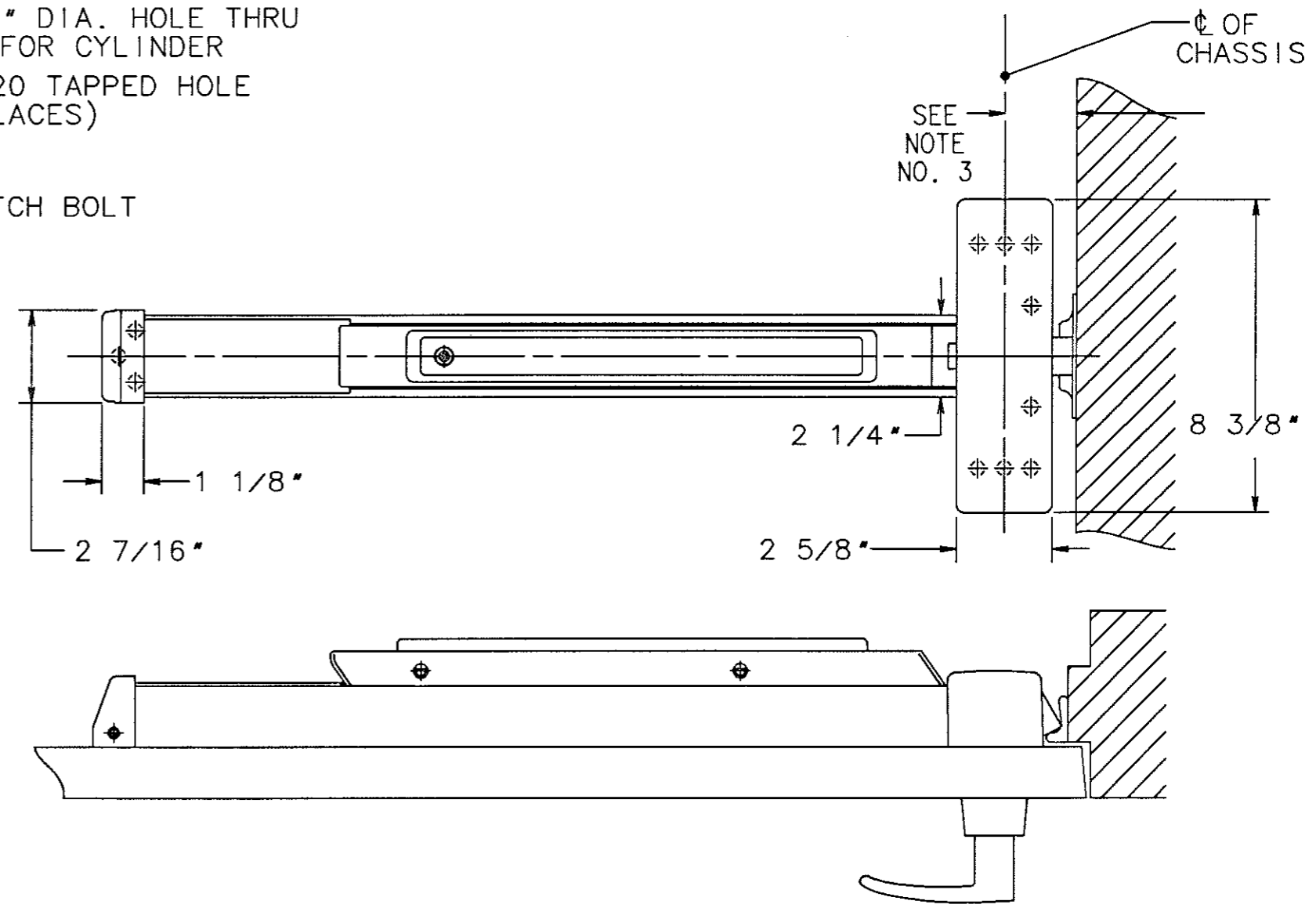
11/32" DIA HOLE THRU DOOR (2 PLACES)

#10-24 TAPPED HOLES (4 PLACES)

1 3/8" DIA. HOLE THRU DOOR FOR CYLINDER

1/4-20 TAPPED HOLE (2 PLACES)

Ø OF LATCH BOLT



- ⑦ — FOR GLASS BEADED DOORS, IF GLASS BEAD CANNOT BE REMOVED, USE GLASS BEAD SHIM KIT (AVAILABLE ON ORDER).
- ⑥ — FOR OUTSIDE TRIM SEE TEMPLATE NO. 4414.
- ⑤ — SURFACE OF DOOR WHERE EXIT DEVICE IS TO BE APPLIED MUST BE FLUSH.
- ④ — SEE MASTER SHEET No. 4019 FOR AREAS REQUIRING REINFORCEMENTS.
- ③ — FOR MOUNTING LOCATION SEE STRIKE TEMPLATE #4300 (649 STANDARD STRIKE) FOR HC8800 AND 12-HC8800 SERIES EXIT DEVICES
- ② — WE RECOMMEND THAT ALL TAPPED HOLES BE DRILLED & TAPPED IN FIELD.
- ① — TOLERANCE ON ALL DIMENSIONS  $\pm 1/64$ ".

<b>SARGENT® Manufacturing Company</b> 100 Sargent Drive New Haven, CT 06511	
TEMPLATE: HC8800 & 12-HC8800 RIM TYPE EXIT DEVICE FOR USE WITH 704 X 710 & 744 x 740 ET CONTROL	RELEASE DATE <i>26 JAN 01</i> TEMPLER NO. 4465 C