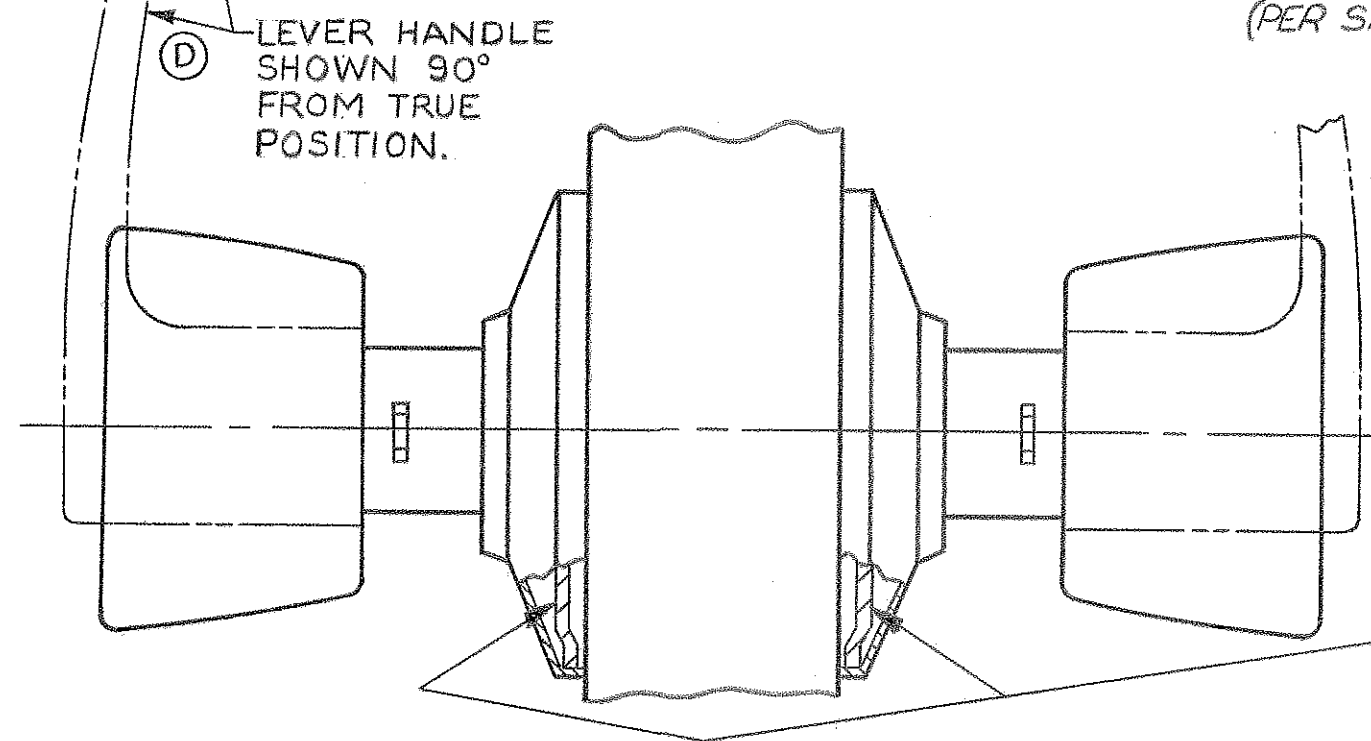


LARGE ROSE CONSTRUCTION

FURNISHED WITH TWO #8-32x3/4" FLAT UNDERCUT PHIL. HEAD COMBINATION SCREWS (PER SIDE).

MOUNTING PLATE ASSY.

38" FROM FINISHED FLOOR



REGULAR ROSE CONSTRUCTION

FURNISHED WITH TWO #6-20 x 3/4" SLOTTED PAN HD. SELF-TAPPING SCREWS (PER SIDE).

MOUNTING PLATE ASSY.

38" FROM FINISHED FLOOR

② — SURFACE APPLIED. NO DOOR CUT-OUT REQ'D.

① — SUITABLE REINFORCEMENTS REQUIRED FOR METAL DOORS.

③ — KNOB & ROSE SHAPES VARY BY DESIGN.

SARGENT & COMPANY

NEW HAVEN, CONN. 06509

TEMPLATE: 6U93 SINGLE OR 6U94 DOUBLE KNOB AND LEVER PULLS

RELEASE DATE
27 JAN 84
TEMPLET NO.
4255 D