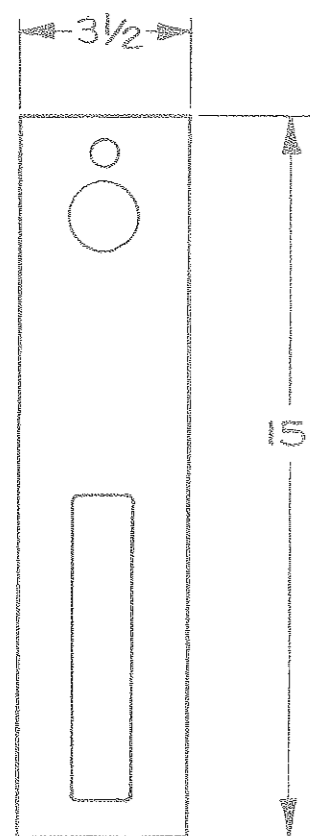
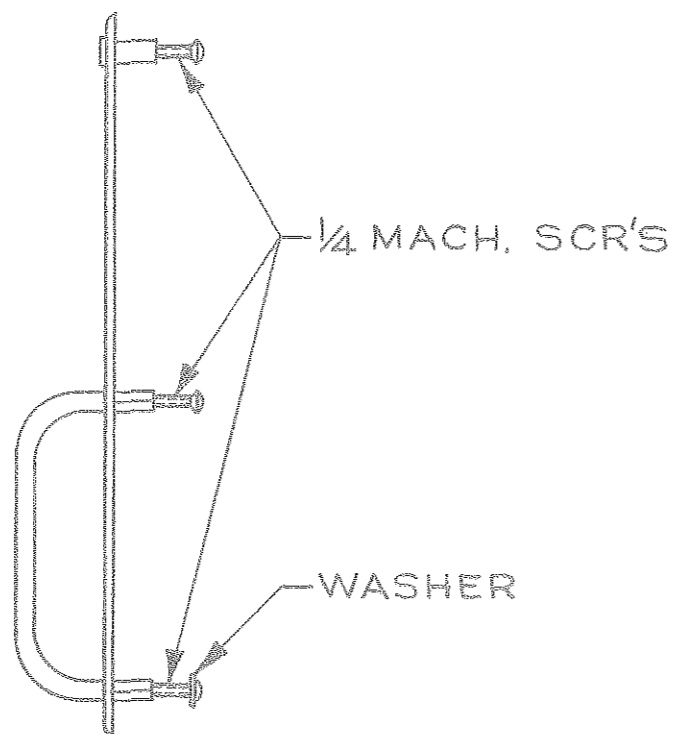


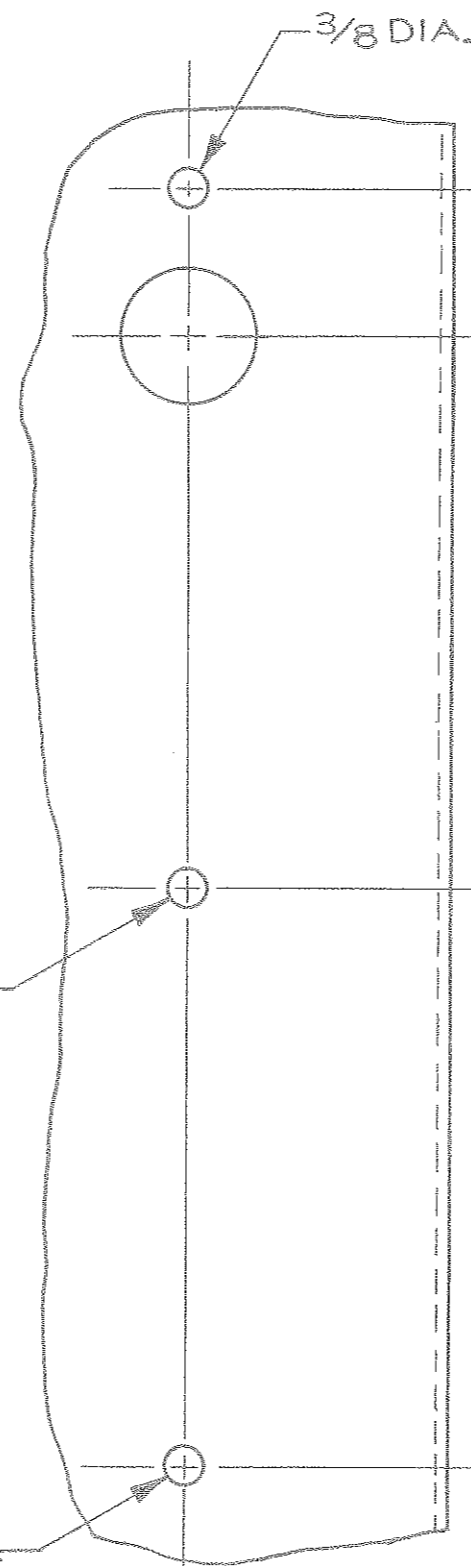
IMPORTANT
FOR ADDITIONAL CUTOUTS
ON INSIDE OF DOOR REFER
TO EXIT DEVICE TEMPLAT



TRIM N° 812
PTB DESIGN

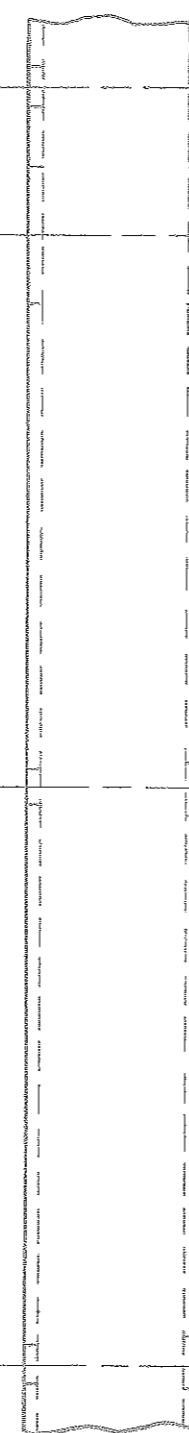


3/8 DIA.



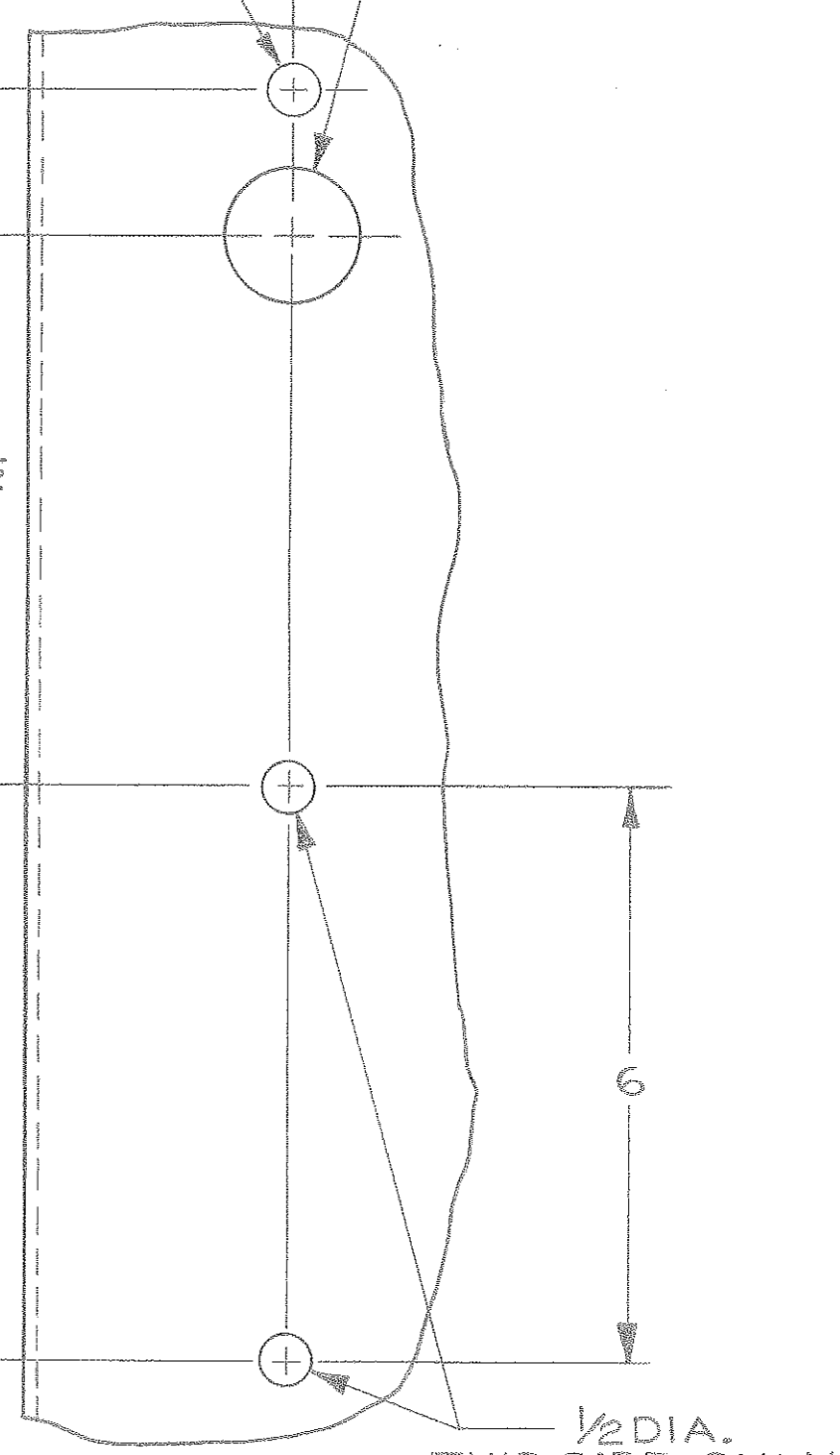
INSIDE OF DOOR

1/2 DIA.
THIS SIDE ONLY



DOOR EDGE

7 5/16
5 11/32



OUTSIDE OF DOOR

SEE NOTE 2
(E)

- (E)
- ② 1 3/8" DIA. HOLE THRU DOOR EXCEPT FOR 6300, 12-6300, 8300, 12-8300, 9300 AND 12-9300 EXIT DEVICE; HOLE OUTSIDE OF DOOR ONLY.
- ① REFER TO EXIT DEVICE TEMPLAT FOR LOCATION OF VERTICAL AND HORIZONTAL CENTER LINE OF CYLINDER.

SARGENT & COMPANY

NEW HAVEN, CONN. 06509

METAL DOOR TEMPLAT:
PTB TRIM

RELEASE DATE

30 MAY 89

TEMPLAT NO.

4221 E