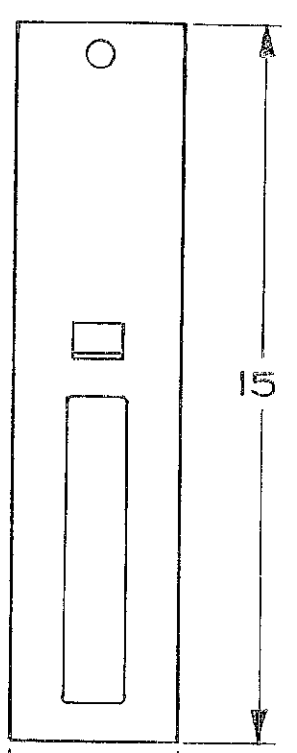
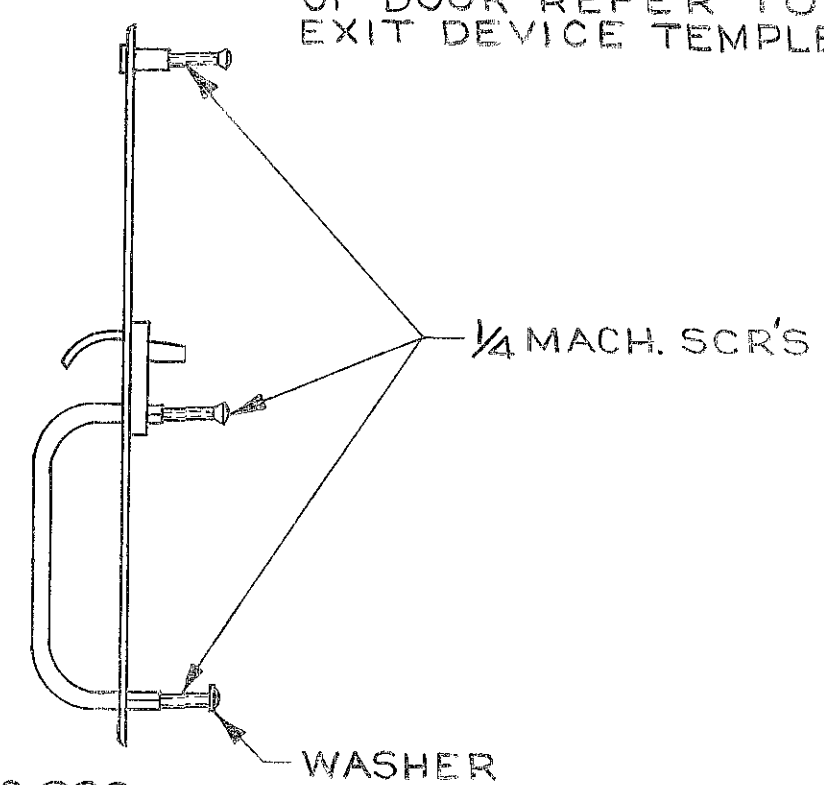
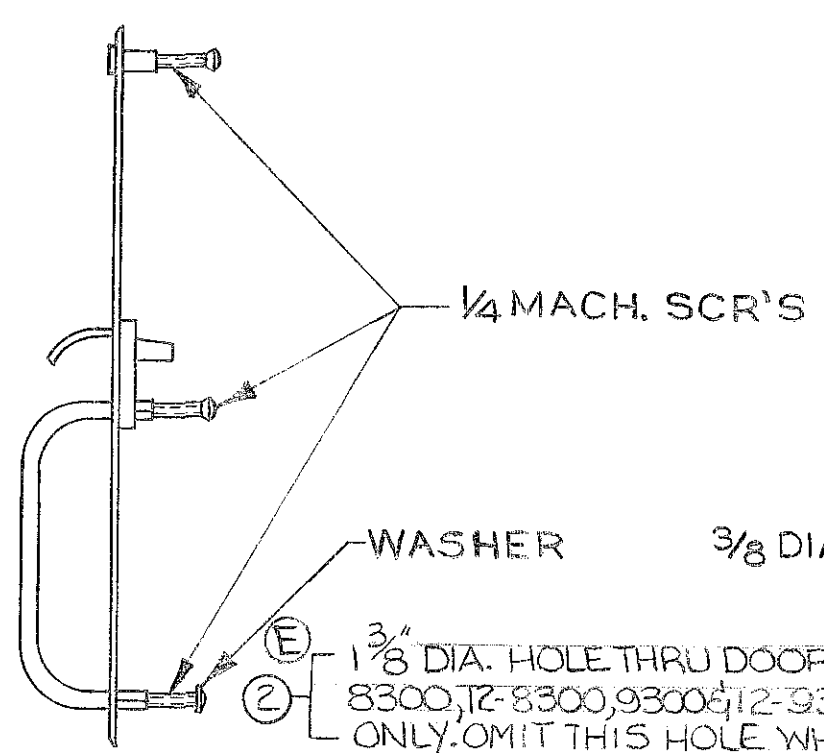


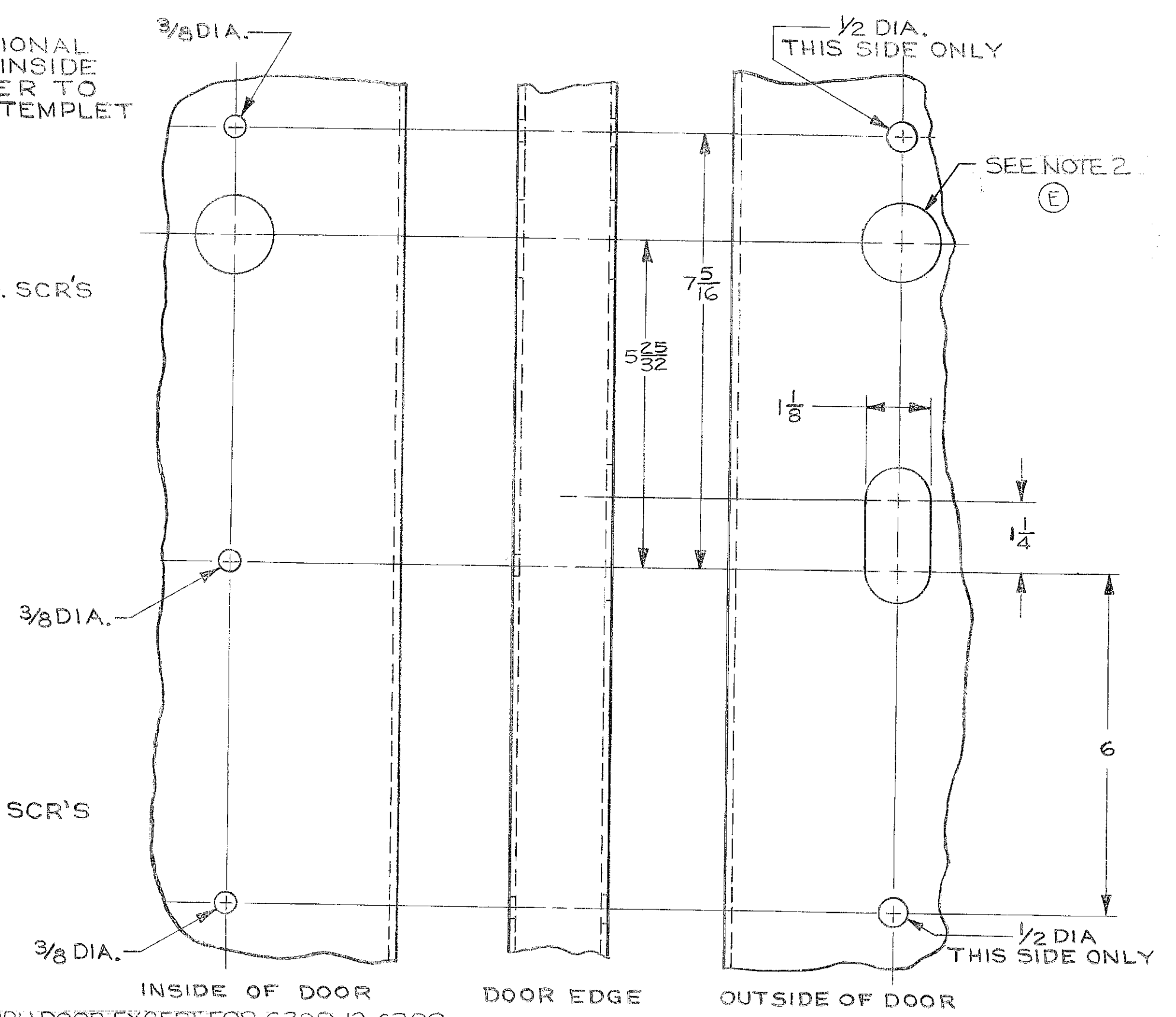
TRIM N° 832
PTB DESIGN



TRIM N° 842
PTB DESIGN



IMPORTANT
FOR ADDITIONAL
CUTOUTS ON INSIDE
OF DOOR REFER TO
EXIT DEVICE TEMPLT



- ① REFER TO EXIT DEVICE TEMPLT FOR LOCATION OF VERTICAL AND HORIZONTAL CENTER LINE OF CYLINDER.
- ② 3/8" DIA. HOLE THRU DOOR EXCEPT FOR 6300, 12-6300, 8300, 12-8300, 9300 & 12-9300 EXIT DEVICE; HOLE OUTSIDE OF DOOR ONLY. OMIT THIS HOLE WHEN 842 TRIM IS USED.
- ③

SARGENT & COMPANY		NEW HAVEN, CONN. 06509	
METAL DOOR TEMPLT: PTB TRIM		RELEASE DATE 30 MAY 89	TEMPLT NO. 4220 E

④

SYM.	REVISION	APPR.	DO NOT SCALE DRAWING	SARGENT & CO. NEW HAVEN, CONN.	DWG. NO. 4220	LAST REV. E
E	6300, 12-6300, 8300 & 12-8300 EXIT DEVICE ADDED (NOTE RELOCATED)	5-30-89	6-16-70			
D	DRAWING UPDATED	3-9-81				
C	NOTE REVISED # 9300 SERIES HOLE INFORMATION ADDED	1-27-72	SUPERSEDES DWG.	ART. 60, 80 & 90 SERIES EXIT DEVICE TRIM		
B	TITLE BLOCK REVISED CYLINDER REMOVED	8-13-71	SCALE	DRAWN RJC	PART METAL DOOR TEMPLT	
A	ORIG. RELEASE	6-16-70	CHECK JAG	APPR. JR		