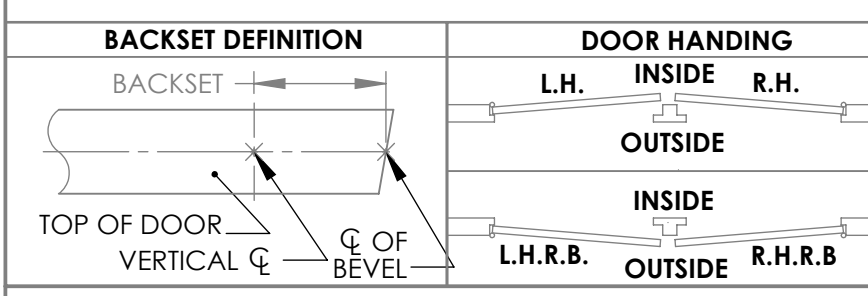
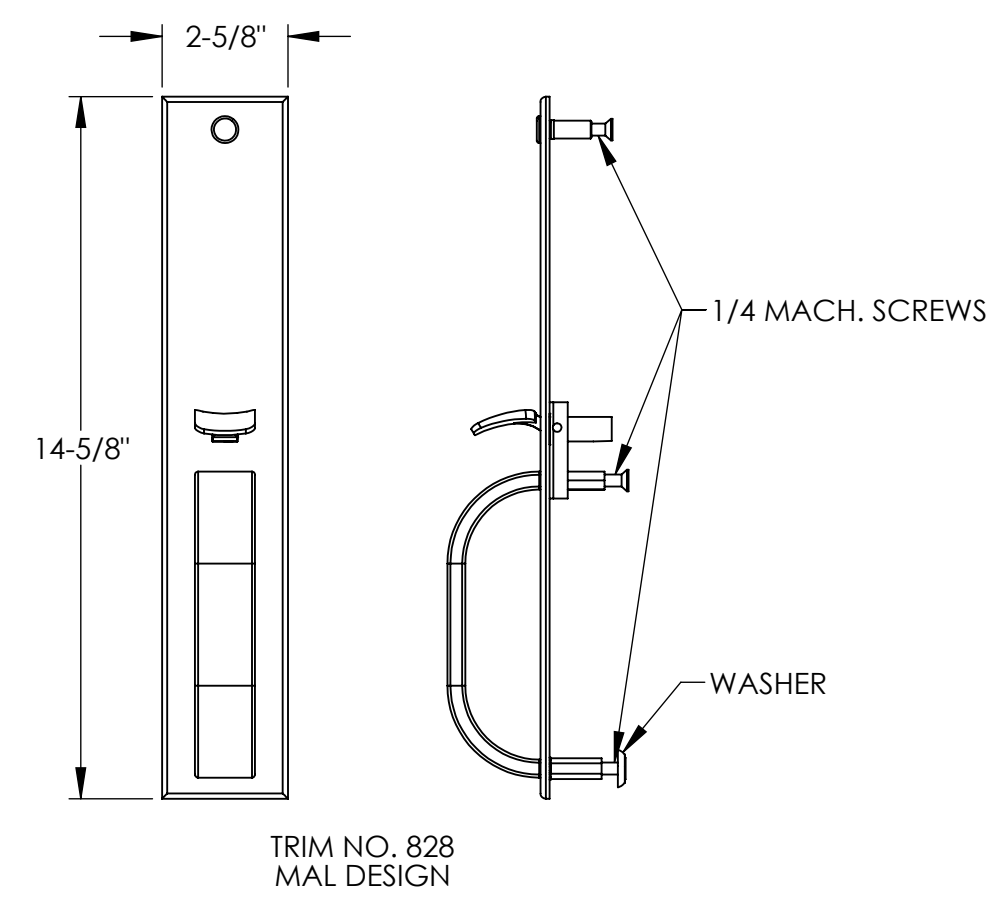
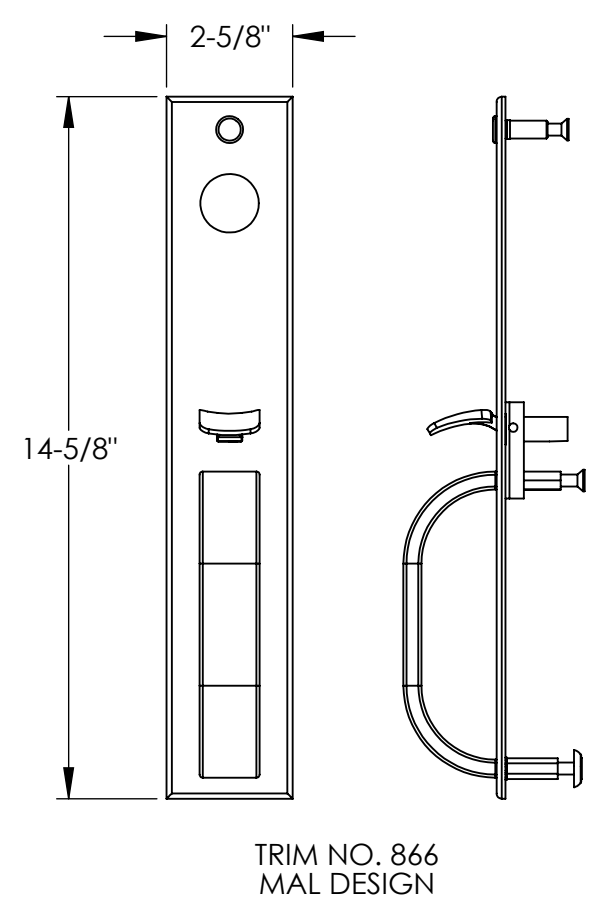
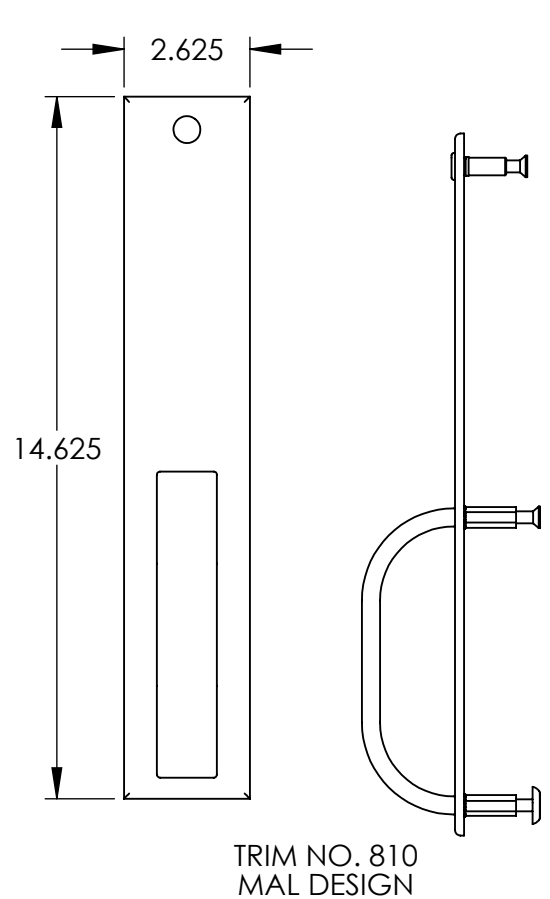
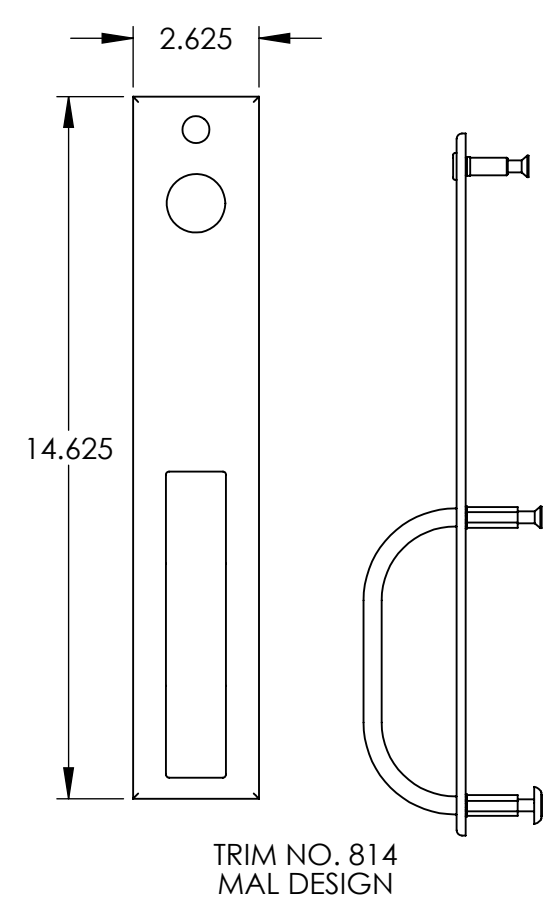


R.H.R.B. DOOR SHOWN

NOTES:

- 1. 1-3/8" DIA. HOLE THRU DOOR EXCEPT FOR 6300, 12-6300, 8300, 12-8300, 9300 & 12-9300 EXIT DEVICE; HOLE OUTSIDE OF DOOR ONLY. OMIT THIS HOLE WHEN 828 TRIM IS USED.
- 2. REFER TO EXIT DEVICE TEMPLATE FOR LOCATION OF VERTICAL AND HORIZONTAL CENTER LINE OF CYLINDER.

TRIM FUNCTIONS	DOOR HOLES REQUIRED								
	1	2	3	4	5	6	7	8	9
866	X	X	X	X	X	X	X		X
814	X	X	X	X	X	X		X	X
841	X		X	X	X			X	X
828	X		X	X	X		X		X



SARGENT
ASSA ABLOY
 Sargent Manufacturing Company
 100 Sargent Drive New Haven, CT 06511

DOOR MANUFACTURERS TEMPLATE: MAL TRIM
 FEB 21-13

RELEASE DATE
 JAN 23, 2012

TEMPLATE NO.
 4024 L

SHEET 1 OF 1