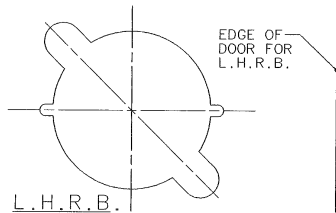
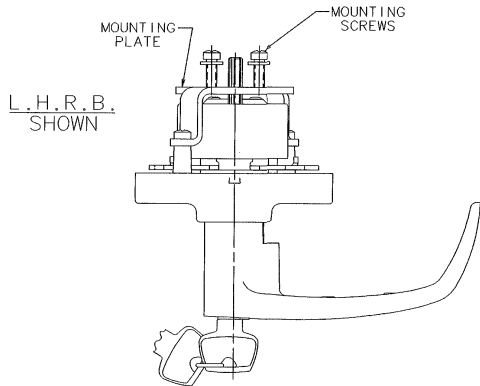
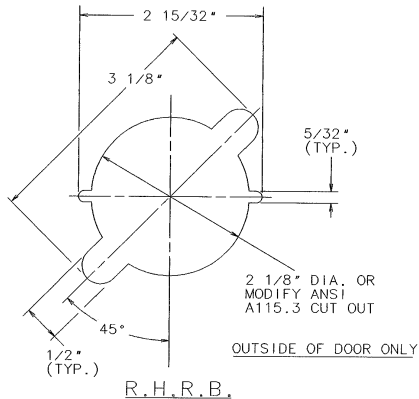


EDGE OF  
DOOR FOR  
R.H.R.B.



①—INSIDE DOOR PREPARATION SEE TEMPLATE 4429 FOR 8888 & 12-8888.

SARGENT & COMPANY

NEW HAVEN, CONN. 06511

TEMPLATE: FOR 80 SERIES EXIT  
DEVICE "LL" TYPE  
LEVER HANDLE TRIM

RELEASE DATE

28 OCT 98

TEMPLATE NO.

4428 C