

Remote Monitor Instructions for 5100, 5800, and 12-5800 Series Alarmed Exit Device to ElectroLynx® Connector System

Hardwiring Made Easy®



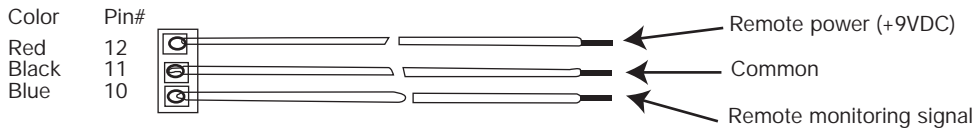
SARGENT®

ASSA ABLOY

ASSA ABLOY, the global leader
in door opening solutions

FOR ASSISTANCE CONTACT SARGENT AT 800-727-5477 or www.sargentlock.com

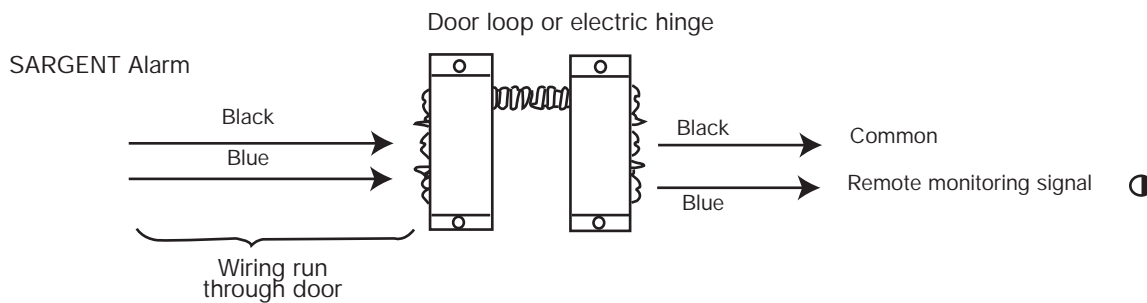
A. Universal remote connector



← 8 FT. →

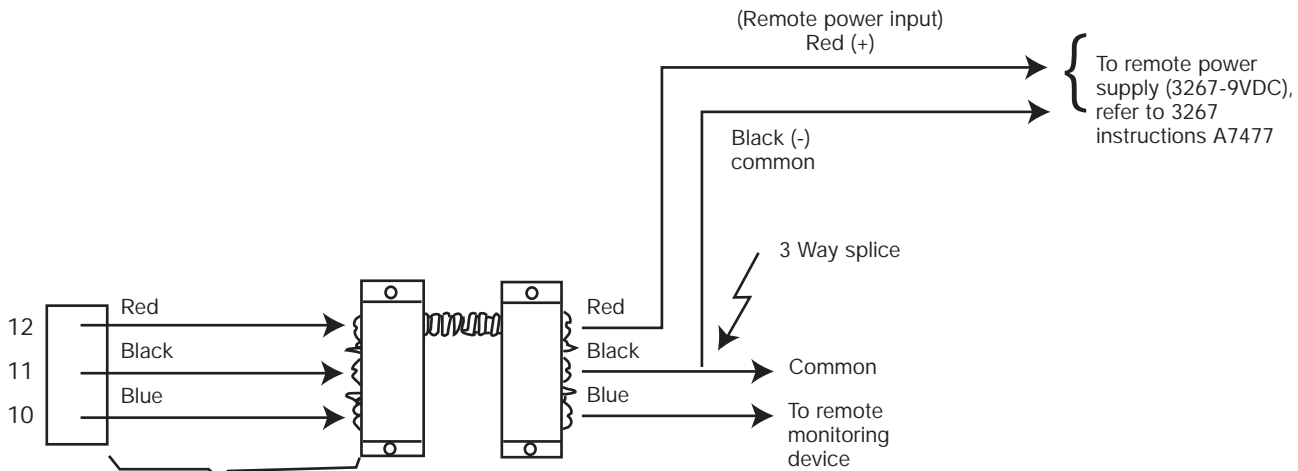
Note: All wiring supplied by others
should be 22 AWG

B. Remote monitor without external power source

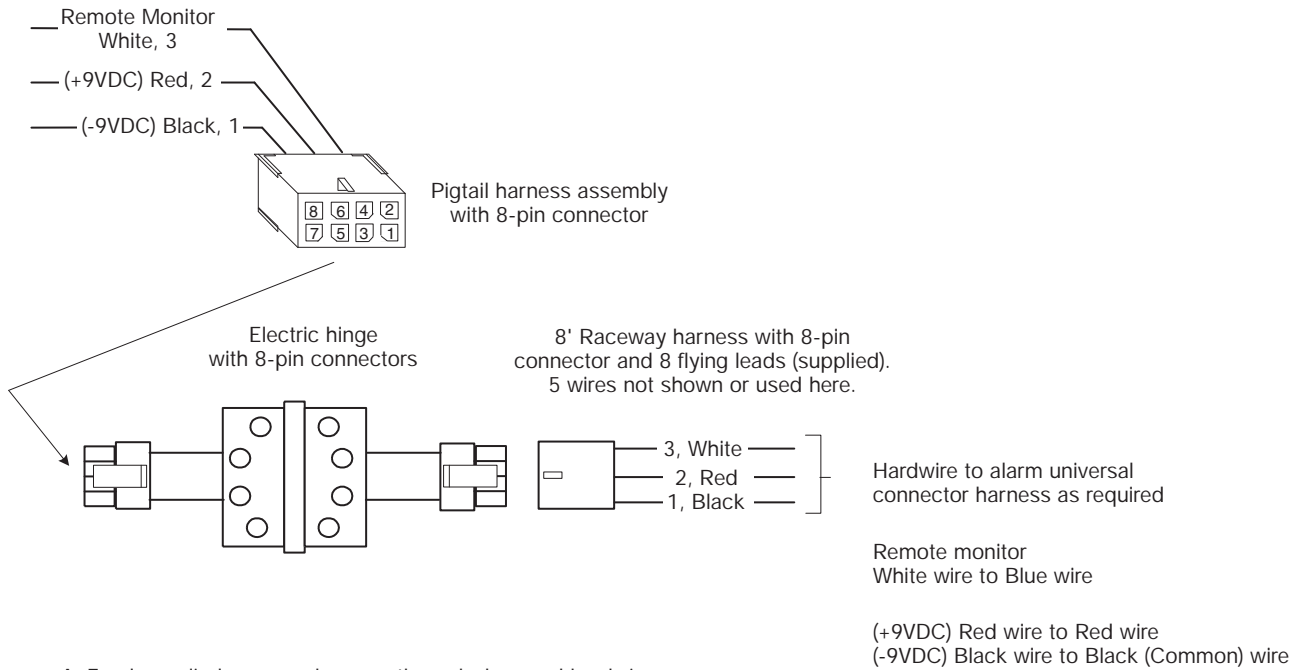


❶ The remote monitoring signal is at +9VDC when in an armed or standby mode. When alarm unit is violated, remote monitoring signal switches to 0VDC as low frequency horn sounds.

C. Remote monitor with external power source



D. Wiring to QC (quick connect) type electric hinge with connectors



- Feed supplied raceway harness through door and hardwire supplied alarm universal connector as required. Plug universal connector into alarm and mount alarm.
- Plug 8-pin raceway harness connector into electric hinge connector. Mount electric hinge to door.
- Make hardwired connections to pigtail harness as required. Mount electric hinge to frame.

Note: For remote power option, hardwire + and - 9VDC to 3267 (9VDC) Power Supply. Refer to 3267 instruction A7477.

SARGENT
ASSA ABLOY

ASSA ABLOY, the global leader
 in door opening solutions

Copyright © 2005, 2008, Sargent Manufacturing Company, an ASSA ABLOY Group company. All rights reserved. Reproduction in whole or in part without the express written permission of Sargent Manufacturing Company is prohibited.

A6723C