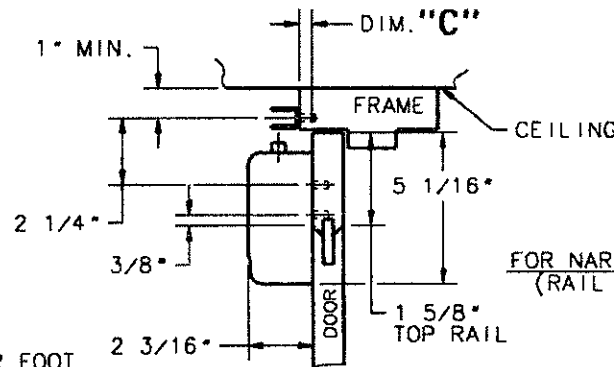


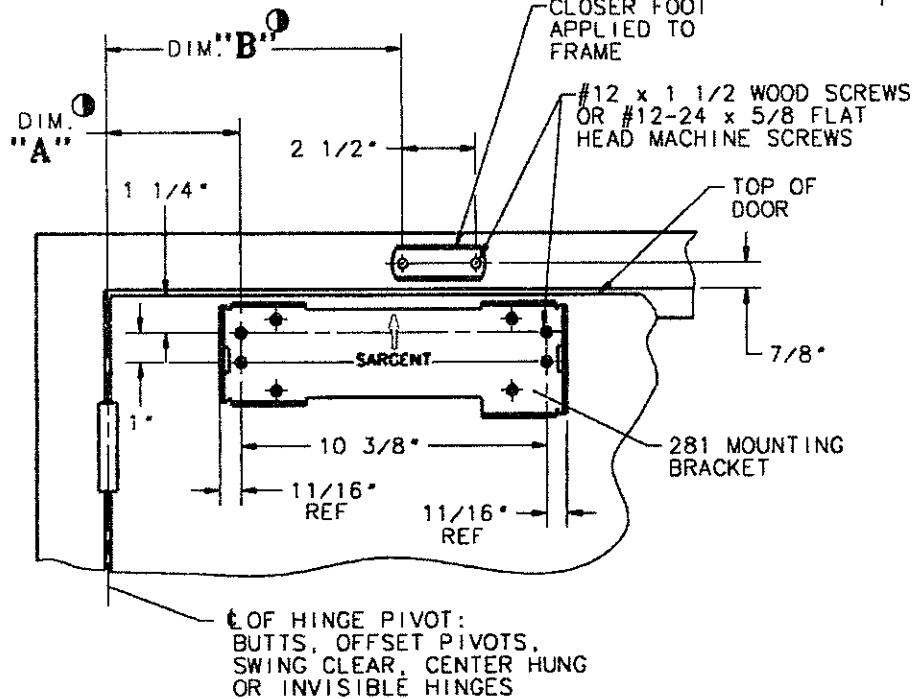
IMPORTANT: USE ALTERNATE MOUNTING IF DOOR CAN OPEN BEYOND LIMITS SHOWN FOR STANDARD MOUNTING

ARM TYPE	MOUNTING	MAX. DOOR OPENING	DIM. A	DIM. B
"H" HOLDER ARM	STANDARD	105°	7 3/4"	13 1/4"
	ALTERNATE	160°	4 1/2"	10"



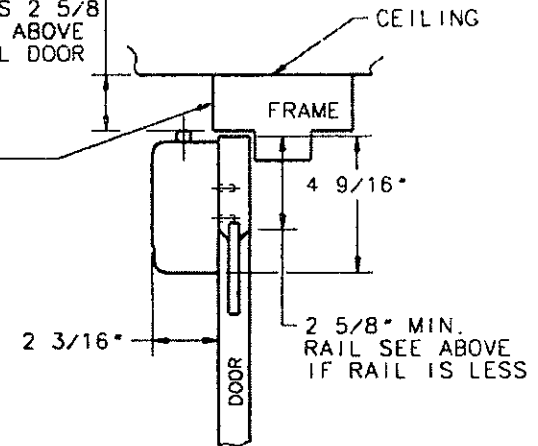
FRAME PROJECTION PERMITTED FROM FACE OF DOOR	
TOP DOOR RAIL MIN.	DIM. MAX. C
2 5/8"	7/16"
2 1/8" - 2 9/16"	1/8"
1 3/4" - 2 1/16"	0

FOR NARROW RAIL DOOR ONLY  
(RAIL LESS THAN 2 5/8")



1 7/8" MIN. SPACE REQUIRED FOR ARM CLEARANCE WHEN TOP RAIL OF DOOR IS 2 5/8" OR GREATER SEE ABOVE FOR NARROW RAIL DOOR

FRAME PROJECTION DIM. "C" MAX.



② - RIGHT HAND DOOR SHOWN. LEFT HAND DOOR OPPOSITE.

① - 12 GAUGE MIN. REINFORCEMENT REQUIRED FOR METAL DOORS & FRAMES.

④ - THIS DIMENSION IS TAKEN FROM HINGE EDGE OF DOOR FOR INVISIBLE HINGES.

③ - IF BUTT, FRAME AND WALL CONDITIONS PERMIT, CLOSER WILL ALLOW DOOR TO OPEN 180°.

SARGENT MANUFACTURING COMPANY

NEW HAVEN, CONN. 06511

DATA SHEET: 281  
SERIES CLOSER x STANDARD ARM  
APPLICATION - "H" TYPE ARM

EFFECTIVE DATE  
**DEC. 98**

TEMPLATE NO. A7226 A